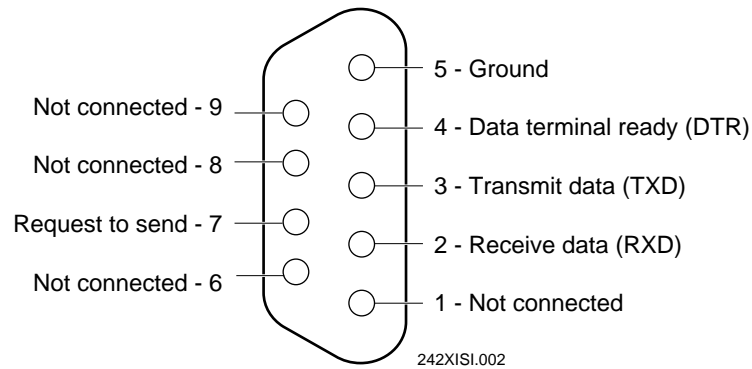

Adapter Cable DB9 Connector Pin Assignments

This illustration shows the pin assignments for the DB9 connector on the adapter cable. You can use adapter cable Part No. 061799-001.



Ordering the Null Modem Interface Cable

You can order one of these Intermec cables to connect the adapter cable to your PC, or you can also make your own null modem interface cable.

PC COM Port	Type of Cable	Part Number
DB9 COM port	5-wire, null modem	059167
DB25 COM port	3-wire, null modem	047569

Ordering and Using the Firmware Kit

Contact Intermec to order a firmware kit for the TRAKKER Antares 2400 series terminals (Part No. 066814S for TCP/IP or Part No. 067119S for UDP Plus).

Once you've installed the serial interface module and connected to a PC, you are ready to upgrade or change the firmware on the terminal. For help, see the firmware kit documentation.

TRAKKER Antares 242X Serial Interface Module Instruction Sheet

The serial interface module is an easy-to-install accessory for the TRAKKER® Antares™ 2420 and 2425 hand-held terminals. This module lets you connect the terminal to a PC and load firmware or connect the terminal to a printer to use the VT100/220/320 and ANSI (VT/ANSI) terminal emulation (TE) printing feature.

Note: Depending on the devices you are trying to connect to, you may need the RS-232 adapter cable, Part No. 061799-001.

You can use the serial interface module to perform these tasks:

- You can install a new version of the firmware on the terminal.
- You can correct problems with the current firmware by reloading it.
- You can load a new TE or screen mapping application onto the terminal.
- You can connect the terminal to a printer to use the VT/ANSI TE printing feature.

This instruction sheet describes how to install the serial interface module and connect the terminal to a PC or printer. For help loading the firmware, read the documentation included with the firmware kit. For help with VT/ANSI printing, refer to the *TRAKKER Antares Terminal Emulation User's Guide* (Part No. 066694).

Before You Begin

Make sure you have this equipment:

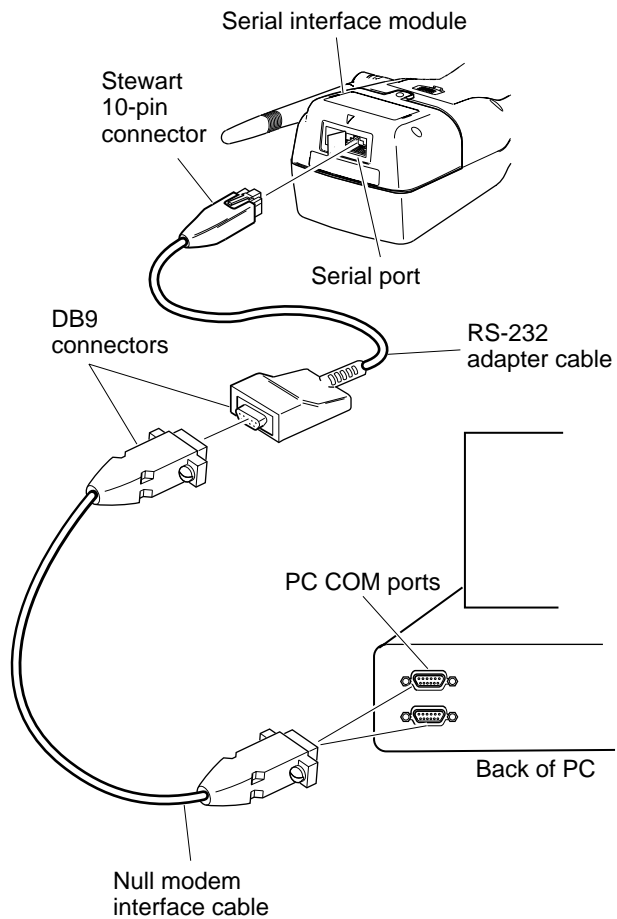
- Serial interface module (shipped with this kit)
- Optional RS-232 adapter cable, purchased separately. Contact Intermec to order an RS-232 adapter cable.
- Null modem interface cable, purchased separately. For help, see "Ordering the Null Modem Interface Cable" later in this instruction sheet.
- Firmware kit, purchased separately. For help, see "Ordering and Using the Firmware Kit" later in this instruction sheet.

Intermec
Technologies Corporation

6001 36th Avenue West
P.O. Box 4280
Everett, WA 98203-9280

© 1998 Intermec
All Rights Reserved
P/N 067690-001

Connecting the Terminal to a PC or Printer



242XISI.001

Connecting the Terminal to a PC or Printer

Note: Observe all electrostatic discharge (ESD) precautions.

1. Power off the TRAKKER Antares 242X terminal. Lay the terminal face down on a clean and sturdy work surface.
2. To remove the scan module from the terminal, remove the Phillips head screws and pull the scan module up and off the terminal.
3. Unpack the serial interface module.
4. Align the module guides on the serial interface module with the guides on the terminal. Then **gently** press down on the serial interface module to seat the connector guide pins and the module connector into the connector on the terminal.

Note: The module guide pins and connector should fit easily into the connector on the terminal. **DO NOT** force the serial interface module into the connector or you may damage the module connector, the connector on the terminal, or both.

5. Secure the serial interface module to the terminal with the Phillips head screws provided.
6. If you are using the RS-232 adapter cable, plug the RS-232 adapter cable into the serial interface module by connecting the Stewart 10-pin connector into the serial port. Make sure the connector snaps into place.

If you are using an interface cable, plug the Stewart 10-pin connector into the serial port and skip to Step 8.

7. Connect the DB9 connector on the RS-232 adapter cable to the DB9 connector end of the null modem interface cable. Secure the connector mounting screws.
8. Plug the other end of the null modem interface cable into the COM1 or COM2 port on your PC or printer. Secure the connector mounting screws.
9. If you want to upgrade or change the firmware, use the PC to load the firmware on the terminal. For help, see the documentation included with the firmware kit.

If you want to use the VT/ANSI printing feature, send the screens or lines from the terminal to the printer. For help, see the *TRAKKER Antares Terminal Emulation User's Guide*.

10. When you are finished, you can disconnect the cables, remove the serial interface module, and reinstall the scan module onto the terminal. For help, see the instruction sheet that shipped with your scan module.