

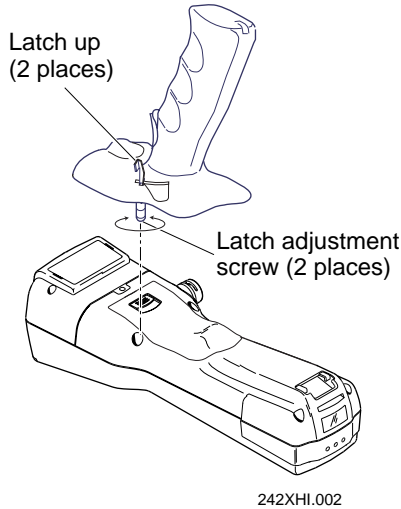
TRAKKER Antares® 242X Handle Instruction Sheet

Attaching the Handle

This handle (part number 069028) is an accessory for your TRAKKER Antares 2420, 2425, or Intrinsically Safe 2425CS terminal.

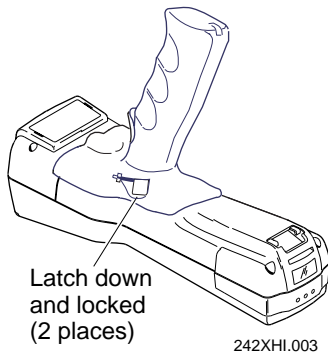
To attach the handle

1. Place the handle on the terminal as shown.



If the latch adjustment screws are difficult to insert, loosen the screws 1/4 turn counterclockwise. Repeat, if needed, until you can attach the handle.

2. Push the latches down to lock the handle into the terminal.



3. Grip the handle and make sure it is not loose.

If the handle is loose, unlatch the handle and remove it. Turn the latch adjustment screws 1/4 turn clockwise to tighten. Repeat Steps 1 - 3 until the handle is securely attached to the terminal.



Note: The handle may loosen after repeated use and it may be necessary to readjust the latch adjustment screws as described above.

Troubleshooting

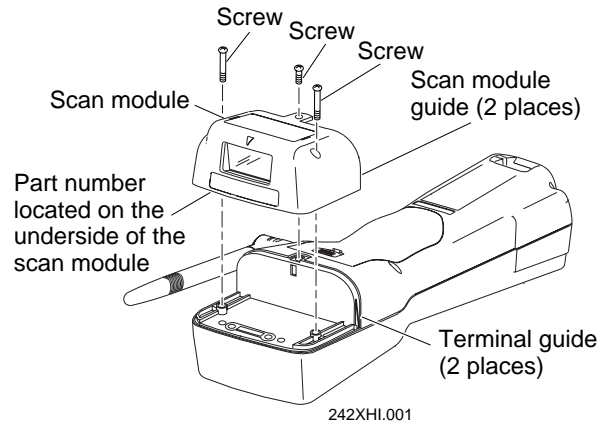
If the handle does not work with your T2420 or T2425, you may have an older TRAKKER Antares model with an incompatible scan module. Use the following procedure to verify that your scan module is compatible with the handle by comparing the part number of the module to the list below.



Note: The T2425CS scan modules are compatible and you do not need to check.

To check the T2420 or T2425 scan module part number

1. Remove the three screws that secure the scan module to the terminal.
2. Disconnect the scan module by pulling the module gently away from the terminal.



3. Locate the part number on the underside of the scan module. This handle works with the following scan modules only:

Part No.	Description
069223	Standard Range Scan Module
069224	Long Range Scan Module
069225	High Visibility Scan Module
069226	High Density Scan Module



Note: If the scan module on your TRAKKER Antares terminal is not compatible with the handle, contact your local Intermec sales representative for information about purchasing a scan module upgrade.

4. After verifying that the handle will work with your terminal, reinstall the scan module.
5. If the handle still does not work with your TRAKKER Antares terminal, contact your local Intermec sales representative.

Part No. 069586-001



069586-001

Intermec
Technologies Corporation

6001 36th Avenue West
P.O. Box 4280
Everett, WA 98203-9280

© 1999 Intermec
All Rights Reserved