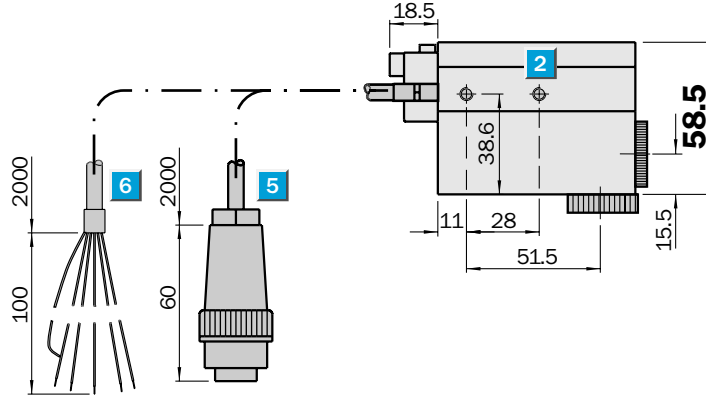
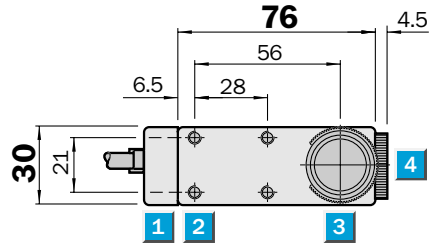


**Scanning distance
9 mm**

Contrast scanners

- White light source
- Light- or dark-switching selectable
- Rapid response times
- Adjustable switching threshold

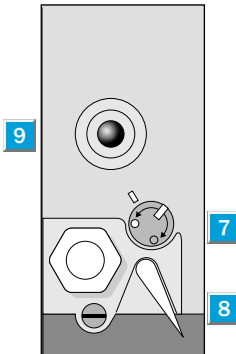
Dimensional drawing



Adjustments possible

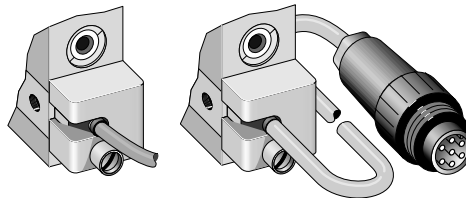
NT 8-01412
NT 8-02412

- 1 Cover for adjuster
- 2 M 5 threaded mounting hole, 5.5 mm deep
- 3 Dry cartridge with sight glass, can be replaced by Item 4
- 4 Lens, can be replaced by Item 3
- 5 2 m cable with 6-pin plug + PE
- 6 2 m cable
- 7 Control for switching threshold
- 8 "Light-/dark-switching" selector switch
- 9 Function signal indicator



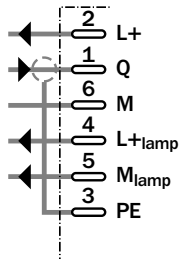
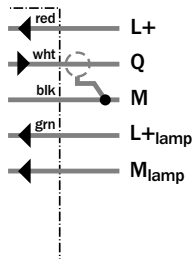
Connection types

NT 8-02412 NT 8-01412



2 x 0.5 mm²
2 x 0.14 mm²
1 x 0.14 mm² sheathed

Cable + 6-pin plug + PE



Accessories	page
Cable receptacles	496
Cable	509
Lens	556



Technical data		NT 8-	01412	02412								
Scanning distance from front edge of lens	9 mm ± 2 mm											
Light	1.5 x 3.5 mm											
Light source¹⁾, light type	Incandescent lamp, white											
Light spot direction	Longitudinal											
	Transverse											
Supply voltage V_S	10 ... 30 V DC ²⁾											
Ripple ³⁾	< 2 V											
Current consumption ⁴⁾	< 50 mA											
Supply voltage for lamp	4.5 V ± 10 %											
Current consumption for lamp	840 mA											
Switching outputs	Light-/dark-switching, selectable											
	NPN: HIGH = V _S /LOW = < 2 V											
Output current I _A max.	200 mA											
Response time ⁵⁾	50 μs											
Max. switching frequency ⁶⁾	10 kHz											
Connection types	Cable ⁷⁾ with 6-pin plug + PE											
	Cable ⁷⁾ without plug											
VDE protection class⁸⁾	□											
Enclosure rating	IP 67											
Circuit protection⁹⁾	A, B, C											
Ambient temperature T_A	Operation - 0 °C...+ 50 °C											
	Storage - 25 °C...+ 85 °C											
Shock load	To IEC 68											
Weight	300 g											
Housing material	Cast metal											

1) Average service life 10,000 h at T_A = + 25 °C
 2) Limit values

3) May not exceed or fall short of V_S tolerances
 4) Without load

5) Signal transit time with resistive load
 6) With light/dark ratio 1:1
 7) Do not bend below 0 °C
 8) Reference voltage 50 V DC

9) A = V_S connections reverse-polarity protected
 B = Output Q short-circuit protected
 C = Interference pulse suppression

Scanning distance	Order information						
	<table border="1"> <thead> <tr> <th>Type</th> <th>Part no.</th> </tr> </thead> <tbody> <tr> <td>NT 8-01412</td> <td>1 005 981</td> </tr> <tr> <td>NT 8-02412</td> <td>1 005 985</td> </tr> </tbody> </table>	Type	Part no.	NT 8-01412	1 005 981	NT 8-02412	1 005 985
	Type	Part no.					
NT 8-01412	1 005 981						
NT 8-02412	1 005 985						
<p>1 Scanning distance 9 mm</p>							