



Inductive proximity sensors

IM30-10BNS-ZW1



Model Name > [IM30-10BNS-ZW1](#)

Part No. > [6020275](#)



At a glance

- Operating distance from 1.5 mm to 20 mm
- Operating temperature from -25 °C to +75 °C
- Protection class IP 67
- Size M30
- DC, AC, and AC/DC versions available

Your benefits

- Less machine downtime
- Less mechanical damage
- Less costs due to longer service life
- High resistance to shock and vibrations



Features

Sensing range Sn:	10 mm
Installation in metal:	Flush
Switching frequency:	200 Hz
Connection type:	Cable, 3-wire, 2 m
Switching output:	NPN
Output function:	NO
Electrical wiring:	DC 3-wire
Enclosure rating:	IP 67 ¹⁾
Switching mode:	NO

¹⁾ According to EN60529

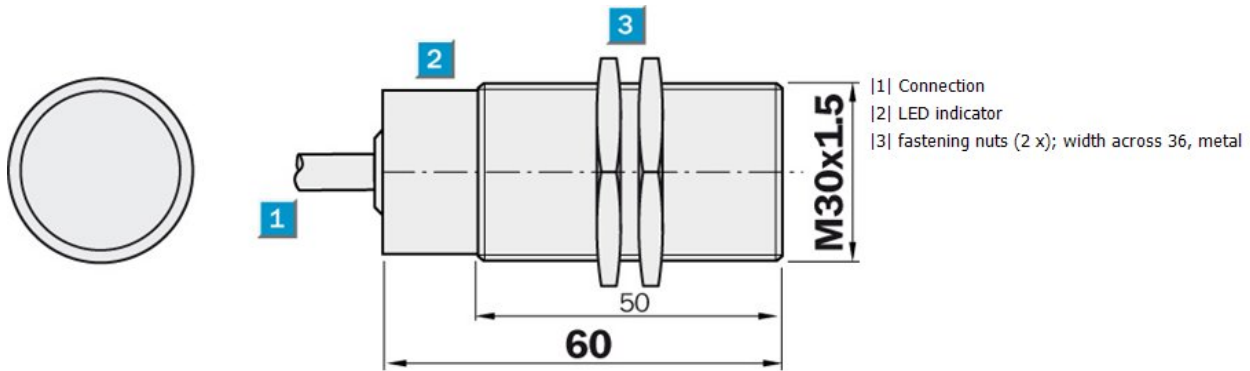
Mechanics/electronics

Design:	cylindrical
Housing length:	60 mm
Supply voltage:	10 V DC ... 30 V DC
Residual ripple:	≤ 10 % ¹⁾
Power consumption:	≤ 20 mA ²⁾
Voltage drop:	≤ 1 V ³⁾
Continuous current I _a :	≤ 400 mA
Hysteresis:	2 % ... 10 %
Repeatability::	≤ 2 % ^{4) 5)}
Temperature drift (of sr)::	± 10 %

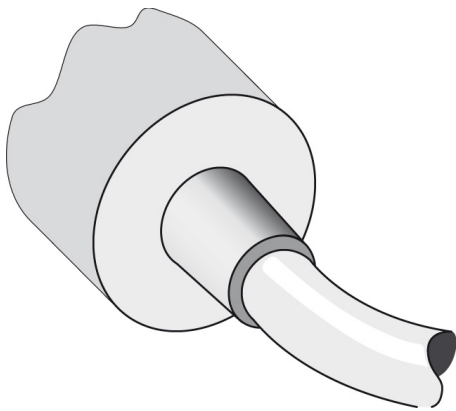
EMC:	According to EN 60947-5-2
Cable material:	PVC
Conductor cross-section:	0.5 mm ²
Reverse polarity protection:	✓
Short-circuit protection:	✓
Housing material:	Metal, Nickel-plated brass
Housing cap:	Plastic
Power-up pulse suppression:	✓
Time delay before availability:	≤ 100 ms
Ambient temperature, operation:	-25 °C ... 70 °C
Shock/vibration stress:	30 g, 11 ms/10 ... 55 Hz, 1 mm
Max. tightening torque:	60 Nm
Thread size:	M30 x 1.5
Thread lenght:	50 mm

1) Of V_S 2) Without load 3) At I_a max 4) 5)

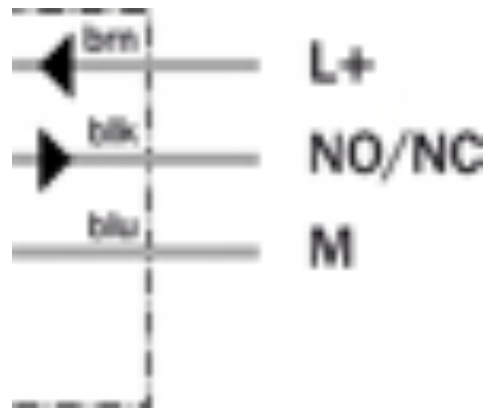
Dimensional drawing



Connection type



Connection diagram



Australia

Phone +61 3 9497 4100
1800 334 802 – tollfree
E-Mail sales@sick.com.au

Belgium/Luxembourg

Phone +32 (0)2 466 55 66
E-Mail info@sick.be

Brasil

Phone +55 11 3215-4900
E-Mail sac@sick.com.br

Canada

Phone +1(952) 941-6780
1 800-325-7425 – tollfree
E-Mail info@sickusa.com

Ceská Republika

Phone +420 2 57 91 18 50
E-Mail sick@sick.cz

China

Phone +852-2763 6966
E-Mail ghk@sick.com.hk

Danmark

Phone +45 45 82 64 00
E-Mail sick@sick.dk

Deutschland

Phone +49 211 5301-301
E-Mail kundenservice@sick.de

España

Phone +34 93 480 31 00
E-Mail info@sick.es

France

Phone +33 1 64 62 35 00
E-Mail info@sick.fr

Great Britain

Phone +44 (0)1727 831121
E-Mail info@sick.co.uk

India

Phone +91-22-4033 8333
E-Mail info@sick-india.com

Israel

Phone +972-4-999-0590
E-Mail info@sick-sensors.com

Italia

Phone +39 02 27 43 41
E-Mail info@sick.it

Japan

Phone +81 (0)3 3358 1341
E-Mail support@sick.jp

Magyarország

Phone +36 1 371 2680
E-Mail office@sick.hu

Nederlands

Phone +31 (0)30 229 25 44
E-Mail info@sick.nl

Norge

Phone +47 67 81 50 00
E-Mail austefjord@sick.no

Österreich

Phone +43 (0)22 36 62 28 8-0
E-Mail office@sick.at

Polska

Phone +48 22 837 40 50
E-Mail info@sick.pl

România

Phone +40 356 171 120
E-Mail office@sick.ro

Russia

Phone +7 495 775 05 30
E-Mail info@sick.ru

Schweiz

Phone +41 41 619 29 39
E-Mail contact@sick.ch

Singapore

Phone +65 6744 3732
E-Mail admin@sicksgp.com.sg

South Africa

Phone +27 11 472 3733
E-Mail info@sickautomation.co.za

South Korea

Phone +82-2 786 6321/4
E-Mail info@sickkorea.net

Slovenija

Phone +386 (0)1-47 69 990
E-Mail office@sick.si

Suomi

Phone +358-9-25 15 800
E-Mail sick@sick.fi

Sverige

Phone +46 10 110 10 00
E-Mail info@sick.se

Taiwan

Phone +886 2 2375-6288
E-Mail sales@sick.com.tw

Türkiye

Phone +90 216 528 50 00
E-Mail info@sick.com.tr

United Arab Emirates

Phone +971 4 8865 878
E-Mail info@sick.ae

USA/México

Phone +1(952) 941-6780
1 800-325-7425 – tollfree
E-Mail info@sickusa.com

More representatives and agencies
at www.sick.com