



## Electro-mechanical safety switches Safety locking devices, i200 Lock

i200-E0323 Lock



**Model Name** > [i200-E0323 Lock](#)  
**Part No.** > [6026140](#)



*actuator not supplied  
with delivery*

**At a glance**

- Compact plastic housing
- Stainless steel entry for actuator
- Either rigid, mobile or bolt actuators available
- 3 M20 x 1.5 cable entry glands
- Locked by spring force and magnetic force
- Lock and door monitoring
- LED locking indicator

**Your benefits**

- High reliability due to rugged metal actuator head, even when the guard has a mechanical offset
- Flexible electrical connectivity due to three cable entry glands
- Improved diagnostics due to additional contacts for door monitoring and LED lock monitoring
- Different switching elements offer the appropriate solution for electrical installation
- Bolt actuator offers personal protection in the hazardous area and prevents an undesirable restart of the machine

**Note: The actuator has to be ordered separately. See "Accessories" for further details.**

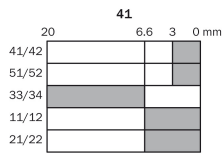
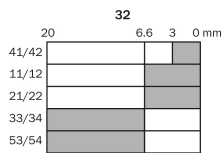


**Technical data**

Housing material:	Glass-fiber reinforced polyester
Enclosure rating:	IP 65 (IEC 60529)
Ambient operating temperature:	-20 °C ... 60 °C
B10d parameter:	2* 1E 06 switching cycles, with small load
Locking type:	Electrical
Maximum locking force:	2,000 N
Number of actuation directions:	3
Approach speed:	10 m/min
Switching principle:	Slow action switching element
Number of positive action N/C solenoid monitoring contacts:	1
Number of N/O solenoid monitoring contacts:	1

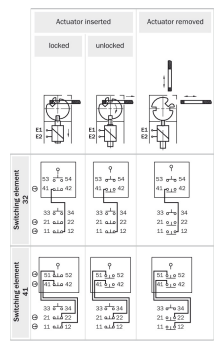
Number of positive action N/C door monitoring contacts:	2
Number of N/O door monitoring contacts:	1
Number of N/C door monitoring contacts:	0
Mechanical life:	1* 1E 06 switching cycles
Usage category:	AC-15/DC-13 (IEC 60947-5-1)
Rated operating current (voltage):	3 A (240 V AC) 3 A (24 V DC)
Solenoid operating voltage:	24 V DC
Connection type:	Cable gland
Weight:	0.55 kg

### Actuator travel diagram



□ Contacts open  
■ Contacts closed

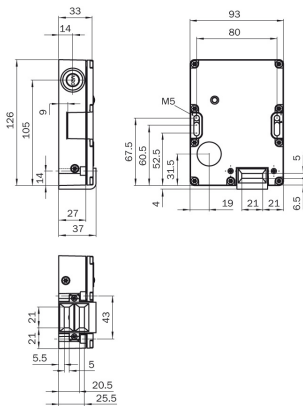
### Switching elements



Switching element 32:  
1 positive action N/C contact + 1 N/O contact + 2 positive action N/C as door contacts + 1 N/O as door contact

Switching element 41:  
2 positive action N/C contacts + 2 positive action N/C as door contacts + 1 N/O as door contact

### Dimensional drawing



**Australia**

Phone +61 3 9457 0600  
1800 334 802 – tollfree  
E-Mail sales@sick.com.au

**Belgium/Luxembourg**

Phone +32 (0)2 466 55 66  
E-Mail info@sick.be

**Brasil**

Phone +55 11 3215-4900  
E-Mail sac@sick.com.br

**Canada**

Phone +1 905 771 14 44  
E-Mail information@sick.com

**Ceská Republika**

Phone +420 2 57 91 18 50  
E-Mail sick@sick.cz

**China**

Phone +86 4000 121 000  
E-Mail info.china@sick.net.cn  
Phone +852-2153 6300  
E-Mail ghk@sick.com.hk

**Danmark**

Phone +45 45 82 64 00  
E-Mail sick@sick.dk

**Deutschland**

Phone +49 211 5301-301  
E-Mail kundenservice@sick.de

**España**

Phone +34 93 480 31 00  
E-Mail info@sick.es

**France**

Phone +33 1 64 62 35 00  
E-Mail info@sick.fr

**Great Britain**

Phone +44 (0)1727 831121  
E-Mail info@sick.co.uk

**India**

Phone +91-22-4033 8333  
E-Mail info@sick-india.com

**Israel**

Phone +972-4-6801000  
E-Mail info@sick-sensors.com

**Italia**

Phone +39 02 27 43 41  
E-Mail info@sick.it

**Japan**

Phone +81 (0)3 3358 1341  
E-Mail support@sick.jp

**Magyarország**

Phone +36 1 371 2680  
E-Mail office@sick.hu

**Nederlands**

Phone +31 (0)30 229 25 44  
E-Mail info@sick.nl

**Norge**

Phone +47 67 81 50 00  
E-Mail austefjord@sick.no

**Österreich**

Phone +43 (0)22 36 62 28 8-0  
E-Mail office@sick.at

**Polska**

Phone +48 22 837 40 50  
E-Mail info@sick.pl

**România**

Phone +40 356 171 120  
E-Mail office@sick.ro

**Russia**

Phone +7-495-775-05-30  
E-Mail info@sick.ru

**Schweiz**

Phone +41 41 619 29 39  
E-Mail contact@sick.ch

**Singapore**

Phone +65 6744 3732  
E-Mail admin@sicksgp.com.sg

**Slovenija**

Phone +386 (0)1-47 69 990  
E-Mail office@sick.si

**South Africa**

Phone +27 11 472 3733  
E-Mail info@sickautomation.co.za

**South Korea**

Phone +82 2 786 6321/4  
E-Mail info@sickkorea.net

**Suomi**

Phone +358-9-25 15 800  
E-Mail sick@sick.fi

**Sverige**

Phone +46 10 110 10 00  
E-Mail info@sick.se

**Taiwan**

Phone +886-2-2375-6288  
E-Mail sales@sick.com.tw

**Türkiye**

Phone +90 (216) 528 50 00  
E-Mail info@sick.com.tr

**United Arab Emirates**

Phone +971 (0) 4 8865 878  
E-Mail info@sick.ae

**USA/México**

Phone +1(952) 941-6780  
1 800-325-7425 – tollfree  
E-Mail info@sickusa.com

More representatives and agencies  
at [www.sick.com](http://www.sick.com)