

CLV50x / CLV503 / Standard Range

CLV503-0000



Model Name CLV503-0000
Part Number 1046315



- Compact dimensions
- Ultra-light
- Easy commissioning
- Fast and reliable identification also of badly or partly damaged codes

Features

Type :	Standard Range
Connection type :	Standard
Reading field :	frontal
Scanner design :	Line scanner
Focus :	Fixed focus
Light source :	visible red light (650 nm)
MTBF :	10,000 h
Laser class :	2
Field of view :	$\leq 44^\circ$
Scanning frequency :	≤ 100 Hz
Code resolution :	0.15 mm ... 1 mm
Reading distance (at code resolution) :	50 mm ... 630 mm (1 mm)

Performance

Bar code types :	2/5 Industrial, 2/5 Interleaved, China Post, Codabar, Code 11, Code 128, Code 39, Code 93, EAN, GS1 DataBar (Expanded, Limited, Truncated, 14 Stacked, Expanded Stacked, Stacked, with Composite A/B), IATA, ISBN-ISMN-ISSN, JAN, Korea Post, Matrix 2 of 5, MicroPDF417, MSI/Plessey, PDF417, S-Code, Telepen, Trioptic, UK/Plessey, UPC
------------------	---

Interfaces

Serial (RS-232) :	✓
Data transmission rate (Serial (RS-232)) :	<=115,200 Baud
USB :	-
Switching inputs :	1
Switching outputs :	2 (<p>„Good Read" / „No Read"</p>)
Reading pulse :	Switching input, serial command, Button at housing
Optical indicators :	1 LED
Acoustic indicators :	Beeper

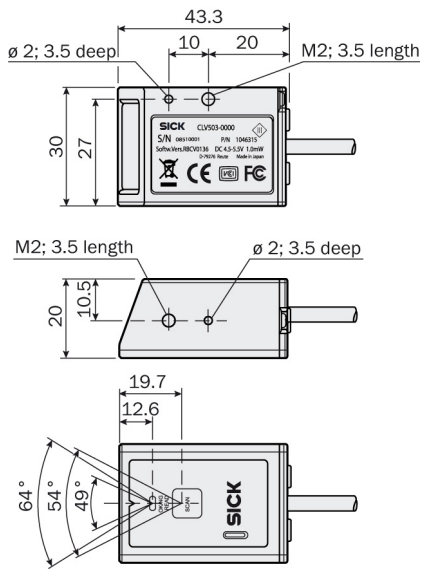
Mechanics/electronics

Electrical connection :	1
Operating voltage :	5 V DC, ± 10 %
Housing colour :	Light blue (RAL 5012)
Enclosure rating :	<p>IP 45</p>
Protection class :	3
Weight :	18.5 g, without cable
Dimensions :	30 mm x 43.3 mm x 20 mm

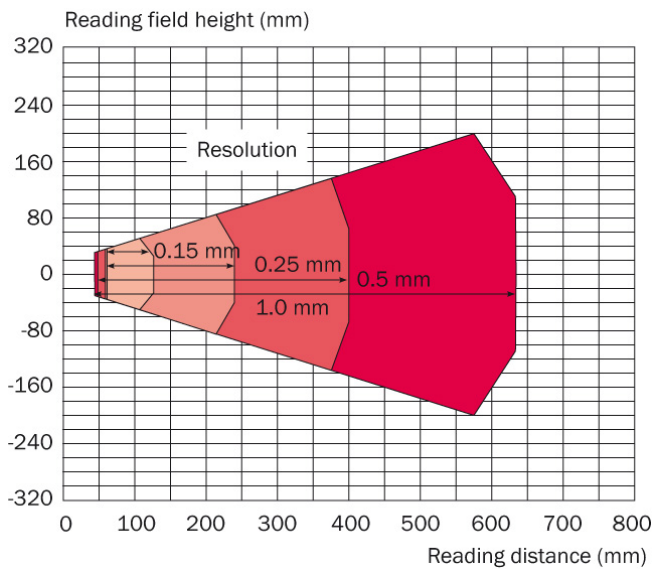
Ambient data

Electromagnetic compatibility (EMC) :	EN 61000-6-3:2007-01
Ambient operating temperature :	-10 °C ... 45 °C
Permissible relative humidity :	85 %, non-dewing
Ambient light safety :	2,000 lx
Bar code print contrast (PCS) :	>= 45 %

Dimensional drawing



Reading field diagram



Australia

Phone +61 3 9497 4100
1800 33 48 02 – tollfree
E-Mail sales@sick.com.au

Belgium/Luxembourg

Phone +32 (0)2 466 55 66
E-Mail info@sick.be

Brasil

Phone +55 11 3215-4900
E-Mail sac@sick.com.br

Ceská Republika

Phone +420 2 57 91 18 50
E-Mail sick@sick.cz

China

Phone +852-2763 6966
E-Mail ghk@sick.com.hk

Danmark

Phone +45 45 82 64 00
E-Mail sick@sick.dk

Deutschland

Phone +49 211 5301-0
E-Mail info@sick.de

España

Phone +34 93 480 31 00
E-Mail info@sick.es

France

Phone +33 1 64 62 35 00
E-Mail info@sick.fr

Great Britain

Phone +44 (0)1727 831121
E-Mail info@sick.co.uk

India

Phone +91-22-4033 8333
E-Mail info@sick-india.com

Israel

Phone +972-4-999-0590
E-Mail info@sick-sensors.com

Italia

Phone +39 02 27 43 41
E-Mail info@sick.it

Japan

Phone +81 (0)3 3358 1341
E-Mail support@sick.jp

Nederlands

Phone +31 (0)30 229 25 44
E-Mail info@sick.nl

Norge

Phone +47 67 81 50 00
E-Mail austefjord@sick.no

Österreich

Phone +43 (0)22 36 62 28 8-0
E-Mail office@sick.at

Polska

Phone +48 22 837 40 50
E-Mail info@sick.pl

Republic of Korea

Phone +82-2 786 6321/4
E-Mail kang@sickkorea.net

Republika Slovenija

Phone +386 (0)1-47 69 990
E-Mail office@sick.si

România

Phone +40 356 171 120
E-Mail office@sick.ro

Russia

Phone +7 495 775 05 34
E-Mail info@sick-automation.ru

Schweiz

Phone +41 41 619 29 39
E-Mail contact@sick.ch

Singapore

Phone +65 6744 3732
E-Mail admin@sicksgp.com.sg

Suomi

Phone +358-9-25 15 800
E-Mail sick@sick.fi

Sverige

Phone +46 10 110 10 00
E-Mail info@sick.se

Taiwan

Phone +886 2 2375-6288
E-Mail sickgrc@ms6.hinet.net

Türkiye

Phone +90 216 587 74 00
E-Mail info@sick.com.tr

United Arab Emirates

Phone +971 4 8865 878
E-Mail info@sick.ae

USA/Canada/México

Phone +1(952) 941-6780
1 800-325-7425 – tollfree
E-Mail info@sickusa.com

More representatives and agencies
in all major industrial nations at
www.sick.com