

CLV 412

Features

- Ultra compact design (2.3 in x 2.5 in x 1.4 in)
- 200-800 scans per second
- 2 -16 in reading range
- Flexible input voltage (5...30 V DC)
- Automatic triggering
- Windows CLV Setup Software
- Integrated scanner and decoder
- Real-time diagnostics and decoding
- Match code capability
(match, mismatch, no read outputs)



The CLV 412 fits in the palm of your hand, and at 200-800 scans per second is the most powerful bar code scanner of its size. Its rugged zinc die cast housing, precision optics, and powerful electronics create a highly reliable system for industrial applications.

The CLV 412's compact design makes it ideal for limited space applications and its high-performance scan rate, real-time decoding, and integrated scanner and decoder make it an excellent solution in applications where high throughput is needed.

In addition, SICK's automatic triggering technology allows the scanner to automatically sense a package to activate the bar code reading process.

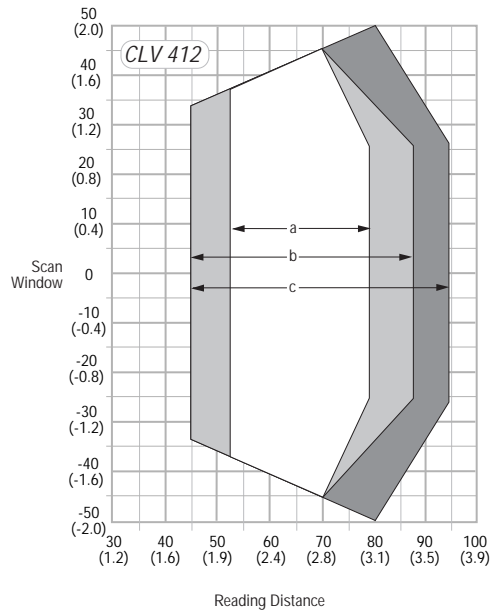
The CLV 412 bar code scanner can be programmed using the Windows™-based CLV Setup Software package included with the bar code scanner. This user-friendly, unique, stand-alone software program guides the user through complete scanner configuration.

All parameters, including minimum reading distance, bar code

resolution, scan frequency, bar code label specifications, and data format are software selectable to optimize the performance of the scanner for your specific application.

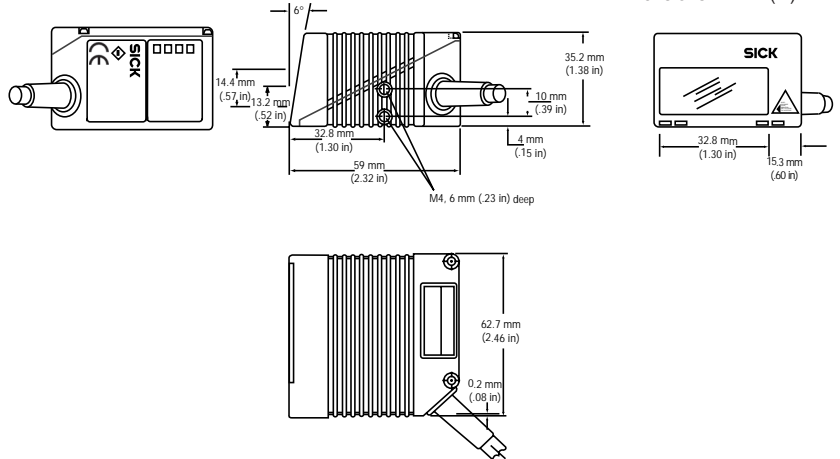
The CLV 412 is ideal for medical instrumentation, test fixtures, packaging machines, and small conveyor applications.

CLV 412



Code Resolution	
	a: 0.10 mm (0.004 in)
	b: 0.15 mm (0.006 in)
	c: 0.20 mm (0.008 in)

Line/raster scanner with end scanning housing



CLV 412 Technical Specifications

Scanning Frequency	200 to 800 Hz (Software selectable)
Light Source	Visible laser diode (670 nm)
Power Rating	Average power at reading window: maximum 1 mW
Laser Class	Red light; IEC 825 Laser Class I, CDRH Class II
Reading Distance	50 to 400 mm (2 to 16 in)
Communication	
Host Interface	RS 232 and RS 422/485
Baud Rate	300 to 57,600 (Software selectable)
Data format	8 data bits, 1 stop bit, no parity (Software selectable)
Data String format	ASCII (header, separator, terminator) (Software selectable)
Network Configuration	Pass-through; master/slave; RS 485 network
Trigger Methods	Hardware trigger, software trigger, free running, reflector polling
Electrical Specifications	Operating voltage 5 V DC...30 V DC, Power consumption 3.0 W
LED indicators	Device ready, read result, laser on, data
Switching Inputs	2 x PNP, opto-decoupled, maximum 30 V DC
Switching Outputs	3 x PNP, maximum 100 mA/24 V DC; Output 1, Output 2, Output 3 (Dependent upon bar code resolution)
Enclosure Rating	IP 54 (NEMA 12), FCC Class A Part 15 compliance/class 3 (VDE 0106)
Ambient Operating Temp.	0 to +40°C (+32° to +104°F)
Connecting Cable	1 15-pin D-sub male connector
Weight	approx. 250 g (8.75 oz)

SICK SICK, Inc.
6900 West 110th Street
Bloomington, MN 55438 USA
Phone: 952-941-6780 Fax: 952-941-9287
Email: info@sickoptic.com

