

STC-405HOL

The STC-400 Series is a collection of products to fit a wide variety of applications. The STC-400 Series comes in 1/3" and 1/2" CCD formats and in compact, remote head, and "L" shaped camera housings. With selectable shutter speeds from 1/60 to 1/10,000 of a second, the STC-400 Series cameras can capture scenes and virtually any speed crisply and clearly.



STC-405HOL
Available with or without I/R Filter
Image shown not actual size

Features

- 1/2" IT CCD
- Monochrome
- EIA & CCIR Formats
- Field/Frame Integration
- Compact
- Integration HOLD Feature
- Fixed Shutter
- Pixel Clock Out
- C-Mount Lens Mount
- Selectable Shutter Speeds

Specifications >>

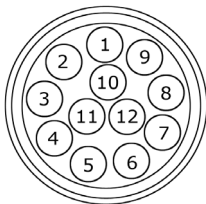
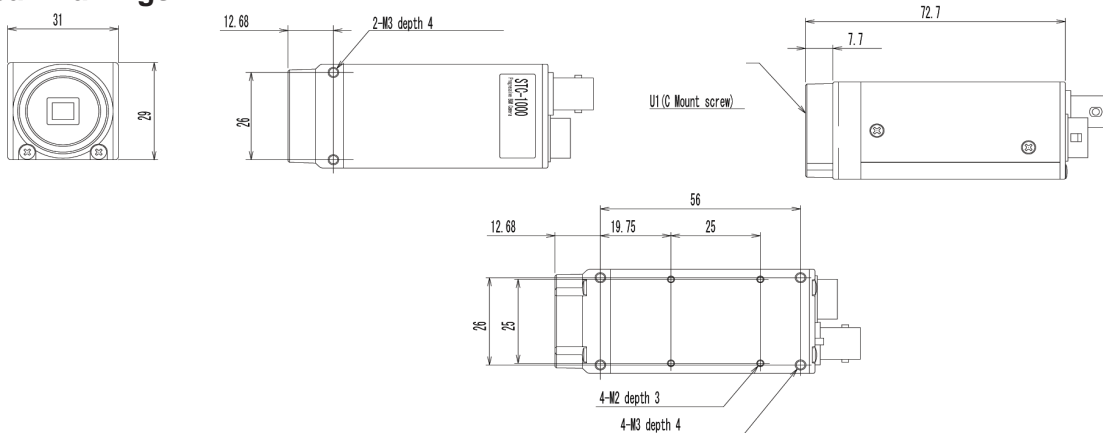
Image Sensor:	Black & White: 1/2" Interline CCD (ICX409ALL)
Effective Picture Element:	752 (H) x 582(V)
Signal Format:	CCIR (Also Available in EIA Format - STC-410HOL)
Cell Size:	6.5 (H) x 6.25 (V) μ m
Vertical Frequency:	50.00
Horizontal Frequency:	15.625 MHz
Horizontal Resolution:	560 TV Lines
Vertical Resolution:	Frame Charge: 575 TV Lines Field Charge: 410 TV Lines
Chip Size:	6.00 (H) x 4.96 (V)
Scanning Area:	4.89 (H) x 6.39 (V) mm
Scanning System:	2:1 Interlace or Non-Interlace
Optical Black:	43 Elements On Each Horizontal Line 14 Elements On Each Vertical Line
Electronic Shutter:	8 steps to 1/10,000
Sync System:	Internal or External (HD/VD) Automatically / HOLD
Minimum Illumination (Standard):	0.05 Lux @ F 1.4 (AGC: On), 50 IRE
Minimum Illumination (H Version):	0.03 Lux @ F 1.4 (AGC: On), 50 IRE
S/N Ratio:	>56dB (AGC Off)
Gamma:	0.45 or 1.0 switchable
Lens Mount:	C- Mount
Gain:	Fixed/Manual (0 - 25dB) Selectable
Video Out:	Composite Video 1.0Vp-p 75 Ω
Charge Accumulation:	Field/Frame Integration
Clock Out:	14.31818 MHz (Internal HD/VD)
Power Supply:	12V DC
Power Consumption:	180mA
Operating Temperature:	-10°C ~ 45°C (14°F ~ 113°F)
Storage Temperature:	-30°C ~ 60°C (-22°F ~ 140°F)
Vibration Resistance:	7G (20Hz - 220Hz)
Dimensions:	31 (W) x 29 (H) x 65 (D) mm (1.24" x 1.16" x 2.6")
Weight:	85g (3 oz.)

>> STC-405HOL

Back Panel



Mechanical Drawings



12 Pin Connector

	Internal	External
1	GND	GND
2	+12V	+12V
3	Video GND	Video GND
4	Video Out	Video Out
5	HD GND	HD GND
6	HD Out	HD Out
7	VD Out	VD In
8	GND	GND
9	Hold In	Hold In
10	Hold GND	Hold GND
11	+12V	+12V
12	VD GND	VD GND

Camera side connector - HR10A-10R-12PB (Hirose)
Mating connector- HR10A-10P-12S (Hirose)

Note: (Dimensions are given in mm)

Internal Switches

a) Frame Integration Mode

Shutter Speed	Switch Settings				
	SW1	SW2	SW3	SW4	SW5
1/30	Either	Either	Either	ON	ON
1/60	OFF	OFF	OFF	OFF	ON
1/100	ON	OFF	OFF	OFF	ON
1/250	OFF	ON	OFF	OFF	ON
1/500	ON	ON	OFF	OFF	ON
1/1000	OFF	OFF	ON	OFF	ON
1/2000	ON	OFF	ON	OFF	ON
1/4000	OFF	ON	ON	OFF	ON
1/10000	ON	ON	ON	OFF	ON

b) Field Integration Mode

Shutter Speed	Switch Settings				
	SW1	SW2	SW3	SW4	SW5
1/30	Either	Either	Either	ON	ON
1/60	OFF	OFF	OFF	OFF	ON
1/100	ON	OFF	OFF	OFF	ON
1/250	OFF	ON	OFF	OFF	ON
1/500	ON	ON	OFF	OFF	ON
1/1000	OFF	OFF	ON	OFF	ON
1/2000	ON	OFF	ON	OFF	ON
1/4000	OFF	ON	ON	OFF	ON
1/10000	ON	ON	ON	OFF	ON