

# CCC1390H Series Day/Night, WDR, CCD Compact Camera

## 1/3-INCH, HIGH RESOLUTION, 530 TVL B-W/480 TVL COLOR (NTSC/PAL)

### Product Features

- Compact Body Style
- Wide Dynamic Range (60 dB Maximum)
- Day/Night with Automatic or Manual Control
- Electronic PTZ
- 1/3-Inch Format Sony® SS-2WD CCD Imager
- Digital Signal Processing
- 530 TV Lines (B-W); 480 TV Lines (Color)
- On-Screen Menu Configuration
- Four Preset Application Profiles; One User-Definable Profile
- Auto White Balance, Automatic Gain Control, Electronic Shutter Control, and Backlight Compensation
- Flickerless Mode
- Autosensing DC-Drive Auto Iris
- Autosensing 24 VAC/12 VDC with Line Lock or Internal Synchronization
- Compatible with Pelco P and Pelco D Protocol



(LENS NOT SUPPLIED WITH CAMERA)

CCC1390H-6/6X

The **CCC1390 Series** camera is a compact, wide dynamic range (WDR), day/night camera. Its WDR technology provides up to 60 dB of dynamic range and produces superior images over a wide range of lighting conditions, including extreme backlight conditions. The camera also uses a removable infrared (IR) cut filter to switch between color and black-white (B-W) modes as environmental lighting conditions change. It also provides a dual resolution of 530 TVL (B-W) and 480 TVL (color).

On-screen programmable menus can be accessed locally using the rear panel button or remotely using any Pelco controller with Pelco P or Pelco D protocol. Use these menus to select a specific profile or to customize and save camera settings for the specific application.

The **CCC1390 Series** camera has a standard CS-mount and can be used with fixed, manual, or DC-drive auto iris lenses. The auto iris is controlled through a standard four-pin square connector that is included with all Pelco auto iris lenses.

The **CCC1390 Series** camera is quick and easy to install and its compact size makes it ideal for Pelco's DomePak® and ImagePak® fixed camera dome/enclosure packages.



CCC1390H-6/6X



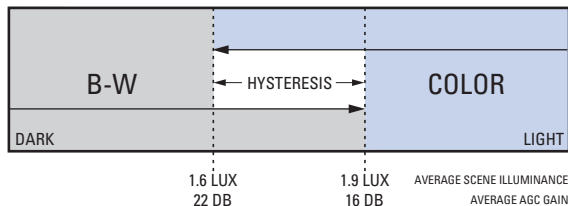
# TECHNICAL SPECIFICATIONS

## MODELS

|             |  |
|-------------|--|
| CCC1390H-6  | 1/3-inch high resolution day/night, WDR, CCD camera; 24 VAC or 12 VDC; NTSC format |
| CCC1390H-6X | 1/3-inch high resolution day/night, WDR, CCD camera; 24 VAC or 12 VDC; PAL format  |

## GENERAL

|                            |  |
|----------------------------|--|
| Day/Night Operation        | Infrared (IR) cut filter                               |
| Day                        | BK-7 glass, same optical displacement as day           |
| Night                      | 1/3-inch image format Sony SS-2WD CCD                  |
| Imaging Device             | 60 dB maximum (WDR mode)                               |
| Dynamic Range              |  |
| Picture Elements           |  |
| NTSC                       | 768 (H) x 494 (V) (approx. 380K)                       |
| PAL                        | 752 (H) x 582 (V) (approx. 440K)                       |
| Sensing Area               | 6 mm diagonal  |
| Scanning System            | 525 (NTSC)/625 (PAL), 2:1 interlace                    |
| Synchronization            | AC line lock/internal                                  |
| Horizontal Resolution      | 530 TV lines (B-W); 480 TV lines (color)               |
| Electronic Shutter Range   |  |
| NTSC                       | 1/60-1/50,000 second                                   |
| PAL                        | 1/50-1/50,000 second                                   |
| Auto Iris Lens Type        | DC-drive (autosensing)                                 |
| Minimum Illumination       |  |
| B-W (SENS 40x)             | 0.002 lux, F1.2, 40 IRE, AGC on, 75% scene reflectance |
| Color (SENS 40x)           | 0.02 lux, F1.2, 40 IRE, AGC on, 75% scene reflectance  |
| B-W                        | 0.08 lux, F1.2, 40 IRE, AGC on, 75% scene reflectance  |
| Color                      | 0.8 lux, F1.2, 40 IRE, AGC on, 75% scene reflectance   |
| Filter Switching Threshold |  |
| Day to Night               | 1.6 lux, average scene illumination                    |
| Night to Day               | 1.9 lux, average scene illumination                    |



|                             |   |
|-----------------------------|---|
| Digital Slow Shutter (SENS) | Selectable: on/off; 2x, 4x, 6x, 8x, 10x, 20x, 40x     |
| Electronic PTZ              | Selectable: 1.5x, 2.0x, 2.5x                          |
| Signal-to-Noise Ratio       | >50 dB  |
| Vertical Phase              | Adjustable $\pm 90^\circ$                             |
| Automatic Gain Control      | Selectable: on/off                                    |
| Backlight Compensation      | Selectable: on/off; 1/100 sec (NTSC), 1/120 sec (PAL) |
| Flickerless Mode            | Selectable: on/off, 4 modes                           |
| Auto White Balance          | Selectable: on/off, 4 modes                           |
| Day/Night                   | Digital signal processing (DSP)                       |
| Signal Processing           | 1 Vp-p, 75 ohms                                       |
| Video Output                | Selectable: on/off, 0.45, 0.6, 1.0                    |
| Gamma Correction            | 2,500° to 8,600°K                                     |
| White Balance Range         |   |

## ELECTRICAL

|                     |  |
|---------------------|--|
| Power Requirements  | 24 VAC $\pm 15\%$ /12 VDC $\pm 15\%$ , 60 Hz |
| CCC1390H-6          | 24 VAC $\pm 15\%$ /12 VDC $\pm 15\%$ , 50 Hz |
| CCC1390H-6X         |  |
| Power Consumption   | 3.5 W  |
| Power Connector     | 3-pin terminal strip, push-in type           |
| Video Connector     | BNC  |
| Auto Iris Connector | 4-pin connector (miniature square)           |
| Mode Indicators     | 4 LED  |
| Controls            | 5-position button                            |
| Control Connector   | Serial data termination switch               |
|                     | 7-pin micro (1.25 mm) connector              |
|                     | Data I/O (Pelco P or Pelco D protocol)       |
|                     | External day/night filter control            |

## MECHANICAL

|              |  |
|--------------|--|
| Lens Mount   | CS mount   |
| Camera Mount | 1/4-inch UNC-20 screw, top or bottom of camera housing |

## ENVIRONMENTAL

|                       |                             |
|-----------------------|-----------------------------|
| Operating Temperature | 14° to 122°F (-10° to 50°C) |
| Storage Temperature   | -4° to 140°F (-20° to 60°C) |
| Operating Humidity    | 20% to 80% (noncondensing)  |
| Storage Humidity      | 20% to 90% (noncondensing)  |

## PHYSICAL

|                       |  |
|-----------------------|--|
| Dimensions            | 2.69" D x 2.09" W x 2.19" H<br>(6.83 x 5.31 x 5.56 cm) |
| Weight (without lens) | 0.44 lb (0.20 kg)                                      |
| Shipping Weight       | 1 lb (0.45 kg)   |

## CERTIFICATIONS

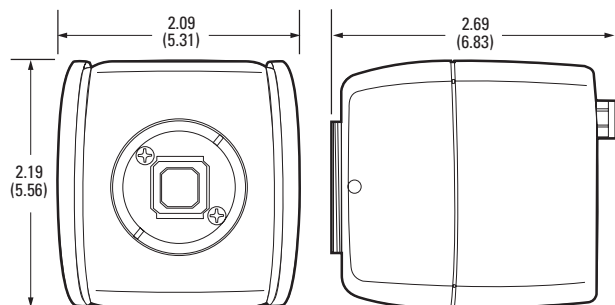
- CE, Class B
- FCC, Class B
- UL/cUL Listed

## RECOMMENDED LENSES

|   |  |
|---|--|
| 13VDIR2.8-11, 13VDIR3-8.5, 13VDIR7.5-50 | Varifocal lenses, 1/3-inch format, auto iris, direct drive, infrared |
|---|--|

## RECOMMENDED MOUNTS

|        |  |
|--------|--|
| C10-UM | C10 series universal wall/ceiling/rail mount kit |
|--------|--|



NOTE: VALUES IN PARENTHESES ARE CENTIMETERS; ALL OTHERS ARE INCHES.

## Pelco, Inc. Worldwide Headquarters:

3500 Pelco Way, Clovis, California 93612-5699 USA

**USA & Canada** Tel: (800) 289-9100 • FAX: (800) 289-9150

**International** Tel: +1 (559) 292-1981 • FAX: +1 (559) 348-1120

[www.pelco.com](http://www.pelco.com)

Pelco, the Pelco logo, and other trademarks associated with Pelco products referred to in this publication are trademarks of Pelco, Inc. or its affiliates. All other product names and services are the property of their respective companies. Product specifications and availability are subject to change without notice.

©Copyright 2008, Pelco, Inc. All rights reserved.