

The IB-140 extends the working life of your DS-DD series decoders by allowing a Microscan bar code scanner to act as a replacement scan head for Allen-Bradley's discontinued L-LD series scan heads.

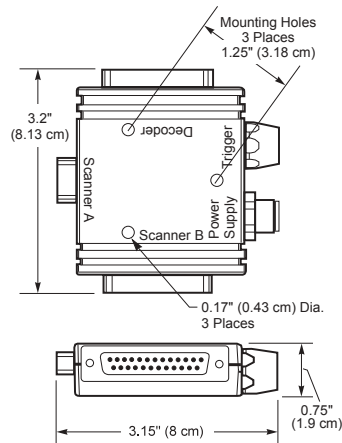
Compatible with Microscan's MS-820, MS-911, MS-850, and MS-880 scanners, the IB-140 converts decoded data from the scanner back into a bar code signal that can be read by an Allen-Bradley DS-DD series decoder. In essence, it allows a fully integrated bar code scanner to function as an undecoded scan head alongside an AB decoder.

In the future, should you need the scanner to function independently as a combined reader and decoder, disconnecting the IB-140 will allow the scanner to revert to its fully functional, integrated performance. If you have an existing application using a DS-DD series decoder, pairing a Microscan scanner to the system will provide the application a reliable scanning source.

IB-140 SPECIFICATIONS

MECHANICAL

Length: 3.2 in. (8.13 cm)
Width: 3.15 in. (8 cm)
Height: 0.75 in. (1.9 cm)



CONNECTORS*

DD Series Decoder Connector:
25-pin D-subminiature Plug

Pin	Function
2	+12 VDC
3	+Video
4	-Video
5	-Sync
6	+Sync
7	NC
8	Package Detect
9	Laser Ground
10	Laser Ground
11	C Ground
12	+5 VDC
13	NC
14	NC
15	Laser Enable

Power Connector:
4-pin MicroChange Plug



Pin	Function
1	Ground
2	NC
3	+10-28 VDC

Trigger Connector:
4-pin MicroChange Socket



Pin	Function
1	+10-28 VDC
2	Trigger
3	Ground
4	N/C

MS-820/MS-911 Scanner Port:
15-pin D-subminiature Socket

Pin	Function
1	+10-28 VDC
2	Receive RS-232
3	Transmit RS-232
4	Signal Ground

MS-850 Port:
25-pin D-subminiature Socket

Pin	Function
1	Chassis Ground
2	Receive RS-232
3	Transmit RS-232
7	Signal Ground

MODEL REFERENCE LIST:

Compatible A-B Decoder Series
DD1A
DD4A
DS1A
DS4A

Obsolete A-B Scan Head Models
LD1
LD2
LD4
LD8
L4
L5
L7
L9

Microscan Replacement Scanners
MS-820
MS-911
MS-850
MS-880

ELECTRICAL

Supply Voltage Input:
Regulated +10-28 VDC

SAFETY CERTIFICATIONS
UL/cUL, FCC

See Reverse Side for
Configuration Diagrams.

MICROSCAN®

Microscan Corporate Office
Tel 425 226 5700 / 800 251 7711
Fax 425 226 8250

Microscan Europe
Tel 31 172 423360 / Fax 31 172 423366

Microscan Asia Pacific RO
Tel 65 6846 1214 / Fax 65 6846 4641

www.microscan.com
Product Information: info@microscan.com
Tech Support: helpdesk@microscan.com

© 2002 Microscan Systems, Inc.
Specifications subject to change. 09/02
ISO 9001/Cert. No. 00-1047

* Pinout tables show active pins only.

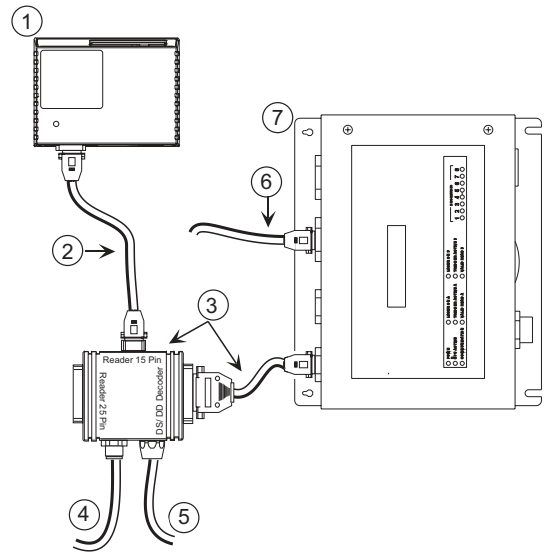
IB-140 CONFIGURATIONS

MS-820 OR MS-911 SCANNERS

This diagram shows how to connect the MS-820 or MS-911 to the DS-DD series decoder.

This allows the scanner to function as an undecoded scan head.

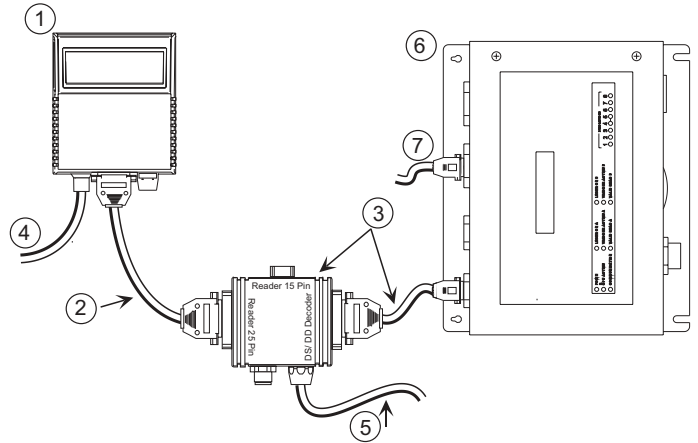
Typical Configuration		
1	Scanner	FIS-0820-000X FIS-0911-000X
2	Scanner/IB-140 Cable	61-000011-01 (no cable for MS-911)
3	IB-140 Kit (1 per scanner)	98-100016-02 (for DS1A/DD1A) 98-000031-01 (for DS4A/DD4A)
4	Power Supply	97-100004-05 (110V) 97-100004-06 (220V)
5	Object Detector	99-440001-10 (MS-820) 99-440002-03 (MS-911)
6	Comm Cable	61-300026-01



MS-850 OR MS-880 SCANNERS

This diagram shows how to connect the MS-850 or MS-880 to the DS-DD series decoder. This allows the scanner to function as an undecoded scan head.

Typical Configuration		
1	Scanner	FIS-0850-000X FIS-0880-000X
2	Scanner/IB-140 Cable	61-330008-03
3	IB-140 Kit (1 per scanner)	98-100016-02 (for DS1A/DD1A) 98-000031-01 (for DS4A/DD4A)
4	Power Supply	97-100004-05 (110V) (MS-850) 97-100004-06 (220V) (MS-850) 97-100004-11 (110V) (MS-880) 97-100004-12 (220V) (MS-880)
5	Object Detector	99-440001-10 (MS-850) 99-000004-01 (MS-880)
6	A-B Decoder	Existing Equipment
7	Programming Cable	61-300026-02 (MS-850, 880)



MS-880

The MS-880 is a versatile and high performance industrial automation scanner. The MS-880 offers robust features including wireless programming, autofocus, linear and 2-D code reading, and multiple protocols.

- scans/second: 400-1,000
- read range: 10 to 120" (25.4-304 cm)
- optoisolated inputs/outputs
- 10-28 VDC input
- 3 programmable outputs
- Reads linear bar codes and PDF417



MS-911

Real-time decode rate of 2,000 scans per second for high speed applications. Provides strong quality control assurance with multiple looks at a given label.

- scans/second: 2,000
- read range: 1 to 9" (2.54 to 22.9 cm)
- 3 programmable outputs
- 10-28 VDC input
- OMR and invisible ink options



MS-850

Industrial high speed scanner equipped with an adjustable sweeping raster that reads multiple labels in various locations. The MS-850 reads PDF417 and all standard linear codes.

- scans/second: 350-1,100
- read range: 2 to 30" (5.08 to 76.2)
- optoisolated inputs/outputs
- 3 programmable outputs
- 10-28 VDC input
- Reads PDF417



MS-820

Exceptionally compact single line industrial scanner offering extended read range. An MS-820 is a compact scanner designed for industrial applications.

- scans/second: 300-1,100
- read range: 2 to 32" (5.08 to 81.3 cm)
- optoisolated inputs/outputs
- 3 programmable outputs
- 10-28 VDC input
- PDF417