

HS-1



Handheld Linear CCD Reader

The HS-1 is a value level handheld barcode reader for reliable decode of linear barcodes in common applications such as printed black and white labels. Providing fast and accurate performance with minimal budget impact, the HS-1 is ergonomically designed for comfort and built to withstand multiple drops in harsh industrial environments.

The HS-1 is the ideal value level barcode reader for common barcode applications.

HS-1: At a Glance

- Decodes/second: up to 230
- Read Range: 1.0 to 14.0" (25 to 356 mm)
- USB, RS-232 Interface Options



ESP® Easy Setup Program: Single-point software provides quick and easy setup and configuration of all Microscan readers.

For more information on this product, visit www.microscan.com.

Reading Capabilities

The HS-1 reader can easily read any 1D barcode and many stacked symbologies, and excels at reading high contrast labels.

Easy Setup

ESP software provides easy configuration of the HS-1, including read cycle and symbology setting.

Lightweight & Durable

The lightweight and durable reader housing and cable feature a 6 foot (1.8 meter) shock approval rating to withstand multiple drops in high-use industrial applications.

Flexible Communication

HS-1 readers are available in two interface options: USB or RS-232.

Application Examples

- Inventory
- Electronics
- Life Sciences

HS-1: Available Codes

Linear

All Standard



Stacked

PDF417

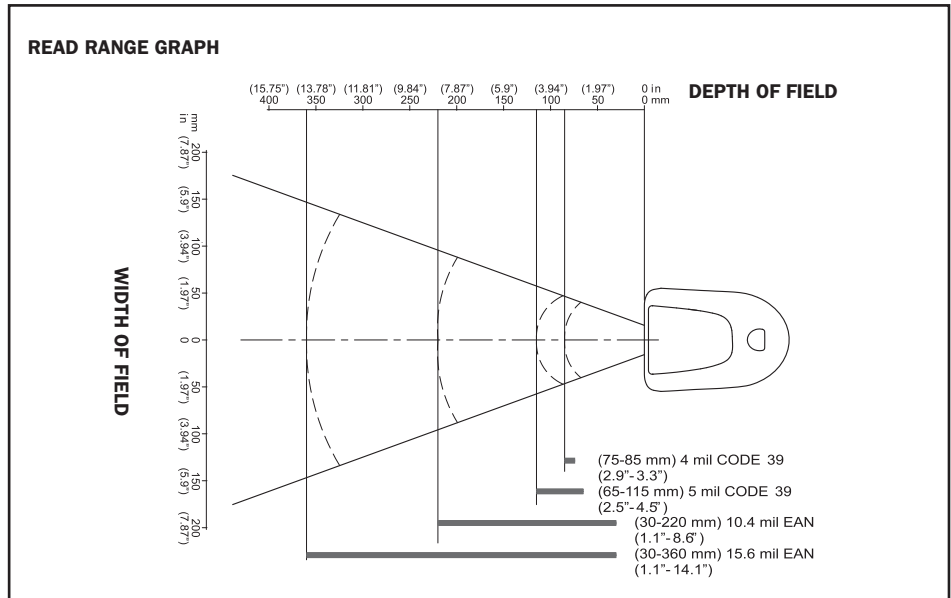
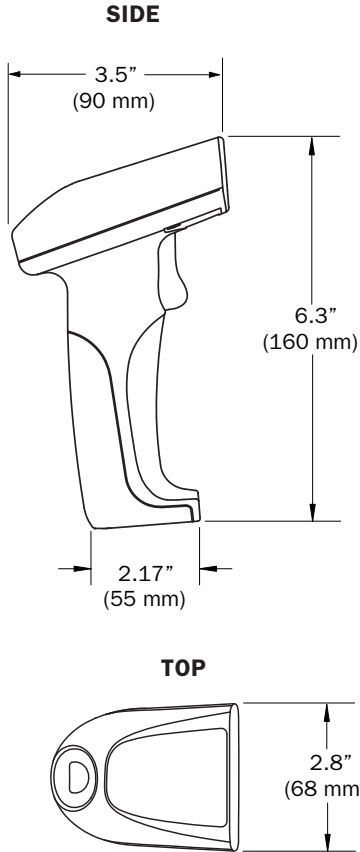


GS1 Databar



MICROSCAN®

HS-1 LINEAR CCD READER SPECIFICATIONS AND OPTIONS



Narrow-bar-width	Read Range Distance
.0030" (0.076 mm)	2.28 to 2.87" (58 to 73 mm)
.0040" (0.102 mm)	2.17 to 3.35" (55 to 85 mm)
.0050" (0.127 mm)	1.77 to 4.33" (45 to 110 mm)
.0156" (0.396 mm)	1.18 to 8.66" (30 to 220 mm)

Ranges based on Grade A symbols. Data subject to change.

MECHANICAL

Height: 6.3" (160 mm)
Width: 2.8" (68 mm)
Depth: 3.5" (88 mm)
Weight: 7.8 oz. (220 g), including cable

ENVIRONMENTAL

Operating Temperature: 0° to 50° C (32° to 122° F)
Storage Temperature: -20° to 60° C (-4° to 140° F)
Humidity: 20% to 85% (non-condensing)
Shock: Withstands drops of 6' (1.8 meters) to concrete

SYMBOLOGIES

Stacked Symbolologies: GS1 Databar, PDF417
Linear Barcodes: Code 39, Code 128, Code 11, Code 32, I2 of 5, MSI Code, Plessey Code, UPC/EAN, Codabar, Code 93, China Postal Code

LIGHT COLLECTION OPTIONS

Sensor: 2048 pixel CCD image sensor
Optics: 660 nm visible LED

COMMUNICATION PROTOCOLS

Standard Interface: USB, RS-232

READ PARAMETERS

Decode Rate: 230 decodes/second
Focal Range: 1.0" to 14.0" (25 to 356 mm)
Depth of Field: 2.8" to 3.5" (70 to 90 mm)
Ambient Light Immunity: Sunlight: Up to 278.7 ft-candles/3,000 lux

INDICATORS

Status Indicators: Audible tones, visual feedback with multi-color LED

ELECTRICAL

Power Requirements: 5 VDC (mA)
Typical: 240mA **Peak:** 750mA **Idle:** 95mA

SAFETY CERTIFICATIONS DESIGNED FOR

FCC, CE

ROHS/WEEE COMPLIANT

ISO CERTIFICATION

Issued by TÜV USA Inc, Member of TÜV NORD Group, Cert No. 06-1080

©2009 Microscan Systems, Inc. SP060B 08/09

Read Range and other performance data is determined using high quality Grade A symbols per ISO/IEC 15415 and ISO/IEC 15416 in a 25° C environment. For application-specific Read Range results, testing should be performed with symbols used in the actual application. Microscan Applications Engineering is available to assist with evaluations. Results may vary depending on symbol quality. **Warranty**—Three year limited warranty on parts and labor. Extended warranty available.

MICROSCAN®

Microscan Systems Inc.
 Tel 425 226 5700 / 800 251 7711
 Fax 425 226 8250

Microscan Europe
 Tel 31 172 423360 / Fax 31 172 423366

Microscan Asia Pacific
 Tel 65 6846 1214 / Fax 65 6846 4641

www.microscan.com

Product Information: info@microscan.com
 Auto ID Support: helpdesk@microscan.com
 Vision Support: visionsupport@microscan.com
 NERLITE Support: nerlitesupport@microscan.com