

**The Quadrus™ standard model has allowed many companies to realize the benefits of using space efficient 2D Data Matrix code by offering a user friendly and cost effective reading solution.**

When compared to related technologies, Quadrus™ wins over vision systems by being more cost effective and easier to use. Quadrus also wins over hand-held readers by offering better read quality. Plus, since Quadrus is a fixed unit, no operator is required.

Quadrus™ is practically as simple as point-click-and-go, when using the combined features of Auto Calibration, fixed focal point and the Image Processing Database. This can be extremely helpful for those who laser etch codes directly onto parts, which can produce varying contrast levels.

Regardless of your print method, Quadrus™ is the universal reading solution for any static application requiring data matrix.

**QUADRUS™**  
S T A N D A R D

## STATIC DATA MATRIX READER

### Auto Calibration:

Automates the process of obtaining the nominal illumination settings. If Quadrus™ is unable to read a code, auto calibrate automatically searches through the settings to find the best possible combination for the symbol. No user adjustment is required.

### Image Processing Database:

This allows the user to pre-set and store up to twenty illumination settings. This feature ensures readability for symbols within various print qualities and contrasts.

### Calibrated Focal Points:

Quadrus eliminates focusing by having pre-calibrated focal points. Technical operators will not need to reconfigure the unit if it is disturbed.

### Real Time Control Features:

Quadrus™ has three programmable outputs and can accept two programmable inputs, offering the utmost in I/O versatility.



### Symbology:

The Quadrus™ reads Data Matrix ECC 0-200 symbology. This symbology is highly secure and readable even when codes are torn, damaged, or in poor condition.



### ESP™ Software:

A standard feature of the Quadrus™ is Microscan's Easy Setup Program, a user-friendly configuration and installation software. The Windows-based ESP™ software provides simple setup control commands for configuring parameters such as match code routines, triggering, real-time input/output controls, and image evaluation tools.

### Service Options:

- Installation assistance
- Service agreements
- Training
- On-site support
- Extended Warranty



### Fully-Integrated:

Quadrus™ combines the optical components, lighting and decoder within a compact, sealed IP65 rated enclosure.

### IP65 Enclosure Rating:

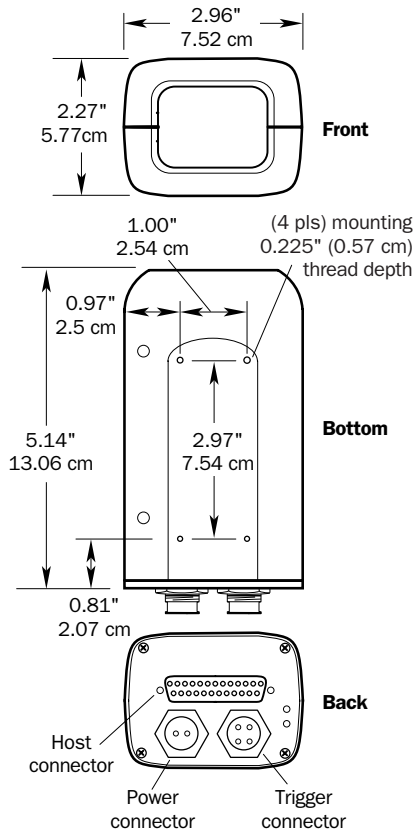
Quadrus' internal circuitry and components are protected against harsh industrial environments by a die-cast aluminum housing which is sealed to IP65 standards (industrial rating for dust and moisture protection).

**MICROSCAN®**

# QUADRUS STANDARD™ STATIC DATA MATRIX READER

## SPECIFICATIONS AND OPTIONS

### MECHANICAL



### QUADRUS STANDARD™ READER CHART

Data Matrix symbol sizes range from 10 x 10 to 144 x 144 (rows x columns) for square symbols and from 8 x 18 to 16 x 48 for rectangular symbols. Contact Microscan for full read specifications.

#### Reader Options

Millimeter size denotes the minimum size the unit can read.

**FIS-6500-0001: The 20 Mil Reader** (minimum element size)  
1.67" x 1.25" at 5"  
(42.4 mm x 31.7 mm at 127mm)

**FIS-6500-0004: The 5 Mil Reader** (minimum element size)  
0.4" x .3" at 3"  
(10.1 mm x 7.6 mm at 76.2 mm)

**FIS-6500-0005: The 7.5 Mil Reader** (minimum element size)  
.55" x .4" at 4"  
(13 mm x 10.1 mm at 101 mm)

**FIS-6500-0006: The 10 Mil Reader** (minimum element size)  
.7" x .53" at 4"  
(17.7 mm x 13.4mm at 101 mm)

**FIS-6500-0007: The 15 Mil Reader** (minimum element size)  
.975" x .75" at 4"  
(24.7 mm x 19.0 mm at 101 mm)

#### Data Matrix Codes\*

N = num, A = alpha

10 x 10, 5 mil  
Capacity: N:6, A:3

16 x 16, 7.5 mil  
Capacity: N:24, A:16

24 x 24, 10 mil  
Capacity: N:72, A:52

36 x 36, 15 mil  
Capacity: N:172, A:127

\* Scale is 1:1. Codes are for illustrative purposes only.

### PIN ASSIGNMENTS

**Host Connector**  
25-pin D-Subminiature

**Trigger Connector**  
Switchcraft EN3

**Power Connector**  
Switchcraft EN3

Pin No.	Function	Function	Function
1	Signal ground	Trigger (in)	Power 10 to 28 VDC (in)
2	Transmit data RS-232 (out)	+12 VDC (out)	Power ground
3	Receive data RS-232 (in)	Ground	
4	Request-to-send (out)	Strobe (out)	
5	Clear-to-send (in)		
6	Out-1 (out)		
7	Signal ground		
8	Out-2 (out)		
9	Strobe (out)		
10	Trigger (in)		
11	Default (in)		
12	In-1 (in)		
13	RXD 485 + (in)		
14	TXD 485 - (out)		
15	Noread/Out-3 (out)		
16	RXD 485 - (in)		
17	Power ground		
18	Power 10 to 28 VDC (in)		
19	TXD 485 + (out)		
20	Aux transmit data RS-232 (out)		
21	In-2 (in)		
22	Ground		
23	Aux receive data RS-232 (in)		
24	+12 VDC (out)		
25	New master (in)		

### SAFETY CERTIFICATIONS

Designed for: FCC, TÜV, CE, cUL, UL

ISO 9001/Cert. No. US96/0465

©2002 Microscan Systems, Inc. 02/02  
Specifications subject to change.

Product specifications are given for typical performance at 25° Celsius (77° Fahrenheit) using grade A labels. Some performance characteristics may vary at high temperatures or other environmental extremes.

**Warranty** — One year limited warranty on parts and labor. Extended warranty available.

# MICROSCAN®

**Microscan Systems, Inc.**

Tel 800 251 7711 / Fax 425 226 8250

**Microscan Europe**

Tel 31 172 423360/ Fax 31 172 423366

**Microscan Asia Pacific R.O.**

Tel 65 846 1214 / Fax 65 846 4641

Part of a full range of sales tools available from our web site:

[www.microscan.com](http://www.microscan.com)

**Tech Support:** helpdesk@microscan.com

**Product Information:** info@microscan.com

### ENVIRONMENTAL

**Weight:** 17.6 oz. (498 g)

**Housing:** IP65

**Operating temperature:** 0° to 40°C  
(32° to 104°F)

**Humidity:** 5% to 90% (non-condensing)

### LIGHT SOURCE

**Type:** High output LEDs  
Software-adjustable strobe time

### LIGHT COLLECTION

**Type:** CCD array, 659 x 494 pixels  
progressive scan, square pixel

### COMMUNICATION PROTOCOLS

RS-232, RS-422, RS-485  
Point-to-point, Point-to-point w/RTS/CTS,  
Point-to-point w/XON/XOFF, Point-to-point  
w/RTS/CTS & XON/XOFF, Polling Mode D,  
Multidrop, User Defined, User Defined  
Multidrop, RS-232 Daisy Chain

### SYMBOLS READ

Data Matrix ECC 0-200

Contact Microscan for details about other symbologies.

### READ PARAMETERS

**Pitch:** ±30°

**Skew:** ±30°

**Tilt:** 360°

**Read Rate:** 300 reads per minute

### ELECTRICAL

**Power requirement:** 10 to 28 VDC

### STATUS LIGHTS

**Yellow Power LED:** On power-on

**Green Status LED:** Normal operations:  
illuminates whenever a bar code label is  
decoded and remains on until a new  
trigger occurs. Continuous Read or  
Continuous Read 1 Output: flashes for  
each good read