



**MS6220 Pulsar**® is Metrologic's triggerless, entry-level hand-held laser bar code scanner. Pulsar combines the high-speed and accuracy of a laser scanner with the working range and price of a typical CCD.

## MS6220 Pulsar®

### Features

- **Triggerless operation**
- **User-replaceable, single cable interface to host**
- **High visibility 650 nm VLD**
- **Easy to set up and configure**
- **OPOS and JPOS system compatible**
- **Dual interface RS232 and keyboard wedge**

**Metrologic's MS6220 Pulsar** is a triggerless, entry-level hand-held laser bar code scanner. Pulsar combines the high-speed and accuracy of a laser scanner with the working range and price of a typical CCD.

With Pulsar, wider is better. When using contact CCDs, the width of the scan field is limited to the width of the face of the scanner requiring manufacturers to offer additional, wider models. Metrologic's Pulsar is one model that satisfies all applications. By using a laser, the width of the scan-line grows as the bar code moves further away from the face giving Pulsar the ability to read the wide codes that similar sized CCD scanners are incapable of reading.

The high-visibility 650 nm laser helps the operator line-up the bar code, thus making scanning bar codes easier in all lighting conditions. In addition, with a controlled 64 mm (2.5") depth-of-field on 100% UPC bar codes, Pulsar is perfect for large retail applications where UPC/EAN bar codes are frequently scanned at less demanding, low-volume check-out areas or satellite cash registers.

As with all new Metrologic products, Pulsar is equipped with PowerLink user-replaceable cables, utilizes MetroSelect® configuration bar codes and is OPOS and JPOS compatible using our MetroOPOS® driver.



# MS6220 Pulsar®

## OPERATIONAL

Light Source	Visible Laser Diode 650 ± 10 nm
Laser Power	0.600 mW (peak)
Depth of Scan Field	0 mm - 64 mm (0" - 2.5") for 0.33 mm (13 mil) bar codes
Width of Scan Field	64 mm (2.5") @ face; 102 mm (4.0") @ 38 mm (1.5")
Scan Speed	72 ± 2 scans lines per second
Scan Pattern	Single scan line
Minimum Bar Width	0.102 mm (4.0 mil)
Decode Capability	Autodiscriminates all standard bar codes, including RSS; for others call Metrologic
System Interfaces	RS232, PC Keyboard Wedge, Light Pen Emulation, Stand Alone Keyboard, USB (low speed and full speed)
Print Contrast	35% minimum reflectance difference
Number Characters Read	Up to 80 data characters (Maximum number will vary based on symbology and density)
Roll, Pitch, Yaw	42°, 68°, 52°
Beeper Operation	7 tones or no beep
Indicators (LED)	Green = laser on, ready to scan; Red = good read

## MECHANICAL

Width	Head: 70 mm (2.7") Handle: 48 mm (1.9")
Length	178 mm (7.0")
Height	27 mm (1.1")
Weight	121 g (4.2 oz)
Termination	10 position modular RJ45
Cable	Standard 2.1 m (7') straight; optional 2.7 m (9') coiled

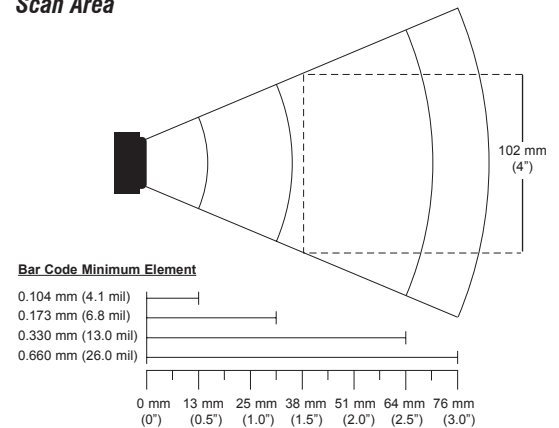
## ELECTRICAL

Input Voltage	5.0 VDC ± 0.25 V
Power	800 mW @ 5 VDC
Operating Current	160 mA peak @ 5 VDC
DC Transformers	Class 2; 5.2 V @ 650 mA or 200 mA
Laser Class	IEC 60825-1:1993+A1:1997+A2:2001 Class 1
EMC	FCC, ICES-003 & EN55022 Class A

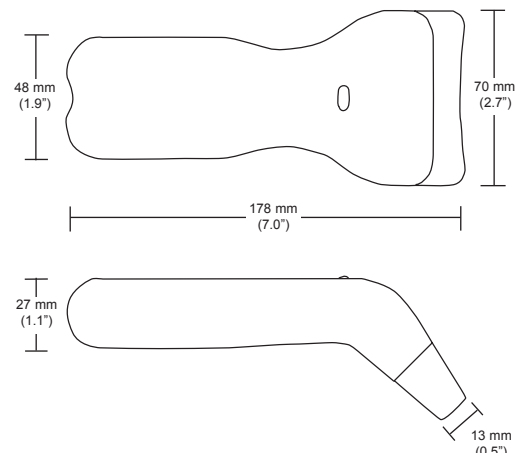
## ENVIRONMENTAL

Operating Temperature	0°C to 40°C (32°F to 104°F)
Storage Temperature	-40°C to 60°C (-40°F to 140°F)
Humidity	5% to 95% relative humidity, non-condensing
Shock	Designed to withstand 1.5 m (5') drops
Light Levels	Up to 4842 Lux (450 footcandles)
Contaminants	Sealed to resist airborne particle contaminants
Ventilation	None required

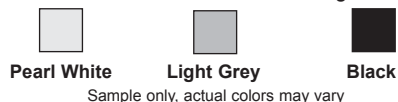
## Scan Area



## Dimensions



Pulsar is available in the following colors



www.metrologic.com

**USA**  
Tel. 1.800.ID.METRO  
info@metrologic.com

**Asia**  
Tel. 65.6842.7155  
info@sg.metrologic.com

**AOA (only)**  
Tel. 1.617.806.1400  
info@aaa.metrologic.com

**China (only)**  
Tel. 86.512.62572511  
info@cn.metrologic.com

**South America**  
Tel. 5511.5182.7273  
info@sa.metrologic.com

**Japan (only)**  
Tel. 81.03.3839.8511  
info@jp.metrologic.com

**Brazil (only)**  
Tel. 5511.5182.8226  
info@br.metrologic.com

**Europe**  
Tel. 49.89.89019.0  
info@europe.metrologic.com

Specifications subject to change without notice.  
Printed U.S.A., Copyright November 2002  
Metrologic, All rights reserved.



DS6220