

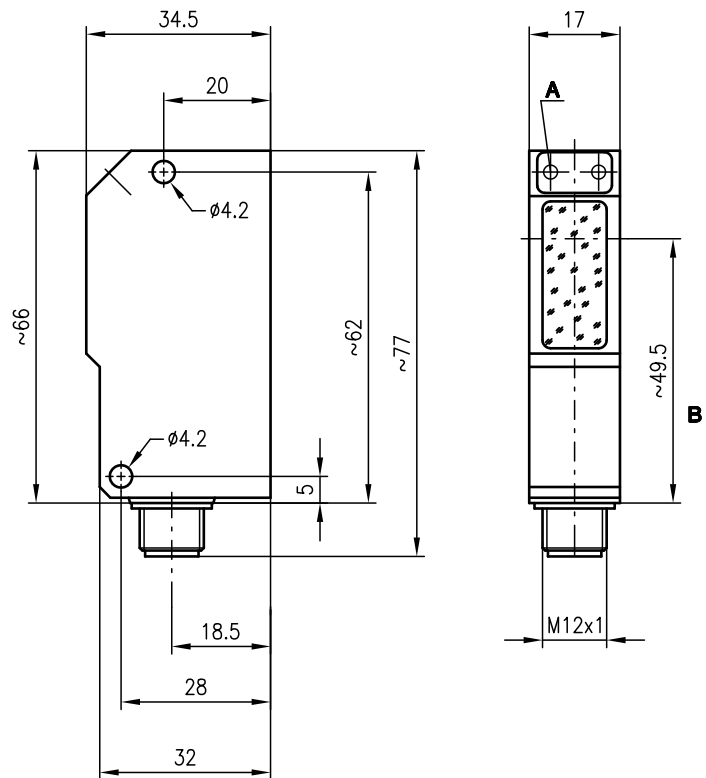
PRK 95

Retro-reflective photoelectric sensors with polarisation filter

Part No. 501 11241

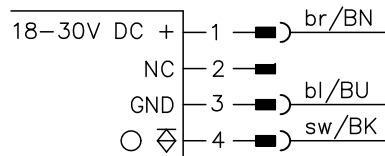


Dimensioned drawing



- A** Switching indicator yellow
- B** Optical axis

Electrical connection



0 ... 5m



- Polarised retro-reflective photoelectric sensor using visible red light
- The autocollimation principle used ensures that the device functions reliably over the entire range (0 ... max.)
- Polarisation filter blocks unwanted reflections
- Small construction with glass cover and robust zinc diecast housing, protection class IP 67/IP 69K for industrial application
- Mounting holes and M12 connector for fast installation



Accessories:

(available separately)

- Mounting systems (BT 95, UMS 1)
- M12 connectors (KD ...)
- Reflectors
- Reflective tapes

We reserve the right to make changes • 95_b01.gb.fm

Specifications

Optical data

Typ. operating range limit (TK(S) 100x100) ¹⁾ 0 ... 5m
 Operating range ²⁾ see tables
 Light beam characteristic divergent
 Light source LED (modulated light)
 Wavelength 660nm (visible red light, polarised)

Timing

Switching frequency 200Hz
 Response time 2.5ms
 Delay before start-up ≤ 100ms

Electrical data

Operating voltage U_B 18 ... 30VDC (incl. residual ripple)
 Residual ripple ≤ 15% of U_B
 Bias current ≤ 30mA
 Switching output 1 PNP transistor output
 Function characteristics light switching
 Signal voltage high/low ≥ ($U_B - 2V$) / ≤ 2V
 Output current max. 100mA

Indicators

LED yellow light path free

Mechanical data

Housing diecast zinc
 Optics cover glass
 Weight 90g
 Connection type M12 connector, stainless steel, 4-pin

Environmental data

Ambient temp. (operation/storage) -20°C ... 60°C / -30°C ... +70°C
 Protective circuit ³⁾ 2, 3
 VDE safety class ⁴⁾ II, all-insulated
 Protection class IP 67, IP 69K ⁵⁾
 LED class 1 (acc. to EN 60825-1)
 Standards applied IEC 60947-5-2

- 1) Typ. operating range limit: max. attainable range without performance reserve
- 2) Operating range: recommended range with performance reserve
- 3) 2=polarity reversal protection, 3=short-circuit protection for all outputs
- 4) Rating voltage 250VAC
- 5) IP 69K test acc. to DIN 40050 part 9 simulated, high pressure cleaning conditions without the use of additives, acids and bases are not part of the test

Tables

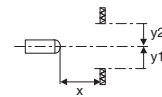
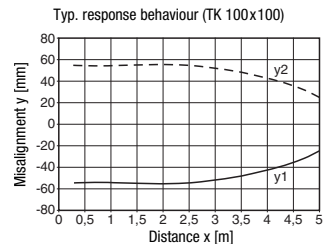
Reflectors			Operating range
1	TK(S)	100x100	0 ... 3.4m
2	MTK(S)	50x50	0 ... 2.7m
3	TK(S)	30x50	0 ... 1.5m
4	TK(S)	20x40	0 ... 1.4m
5	Tape 2	100x100	0 ... 0.8m

1	0	3.4	5
2	0	2.7	4.5
3	0	1.5	2.5
4	0	1.4	2.4
5	0	0.8	1.2

□ Operating range [m]
 ▒ Typ. operating range limit [m]

TK ... = adhesive
 TKS ... = screw type
 Tape 2 = adhesive

Diagrams



Order guide

Designation	Part No.
PRK 95/4 L.2	500 27993

Remarks

- **Approved purpose:**
 The retro-reflective photo-electric sensors are optical electronic sensors for optical, contactless detection of objects.