



## LV-21A

Amplifier Unit, Main Unit, NPN

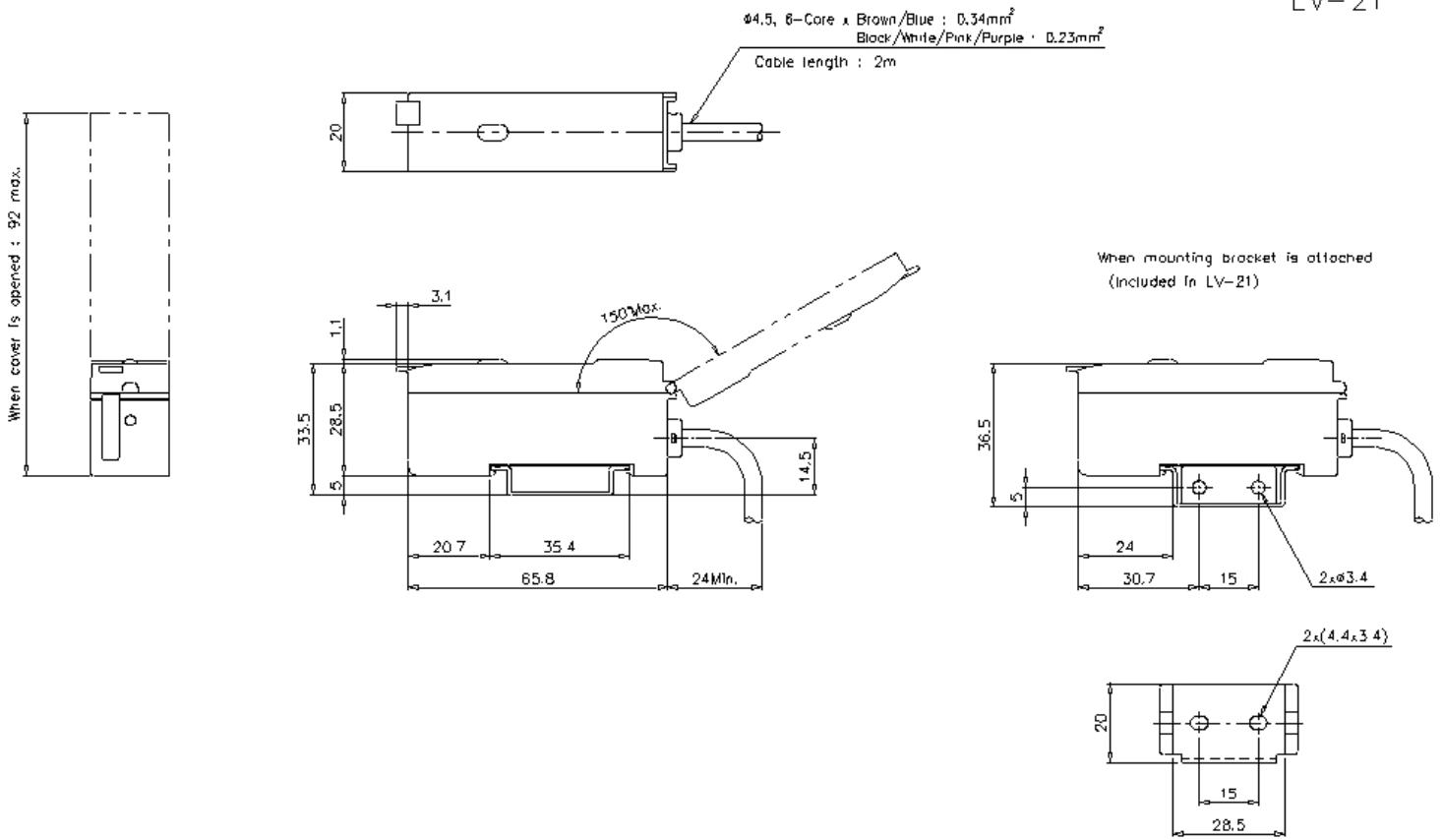


## SPECIFICATIONS

Model	LV-21A	
Main unit / Expansion unit	Main unit	
Response speed	FINE: 80 $\mu$ s/ TURBO: 500 $\mu$ s/ SUPER TURBO: 4 ms	
Control output	NPN open-collector x 2 channels, 40 VDC max., max. 100 mA, residual voltage (1.0 V max.)	
Protection circuit	Reverse polarity protection, overcurrent protection, surge absorption	
Expansion of units	Up to 7 additional expansion units can be installed (8 units including the main unit),	
Number of interference preventive units <sup>*1</sup>	FINE: None, TURBO: 2 units, SUPER: 4 units	
Ratings	Power supply voltage	12 to 24 VDC ripple (P-P) 10% max.
	Power consumption	1.5 W max. (125 mA max. for 12 V, 62.5 mA max. for 24 V)
Ambient temperature used	-10 to +55°C (14 to 131°F), No condensation <sup>*2</sup>	
Ambient humidity used	35% to 85% RH, No condensation	
Material	Main body, cover: Polycarbonate	
Weight	Approx. 120 g	
<sup>*1</sup> To connect several units they must be mounted on a METAL DIN rail. Ensure that the output current is 20 mA max. With several units connected, the allowable ambient temperature range varies as follows: <sup>*2</sup> When 2 to 5 expansion units are additionally installed: -10 to +50°C (14 to 122°F). When 6 or 7 expansion units are additionally installed: -10 to +45°C (-14 to +113°F).		

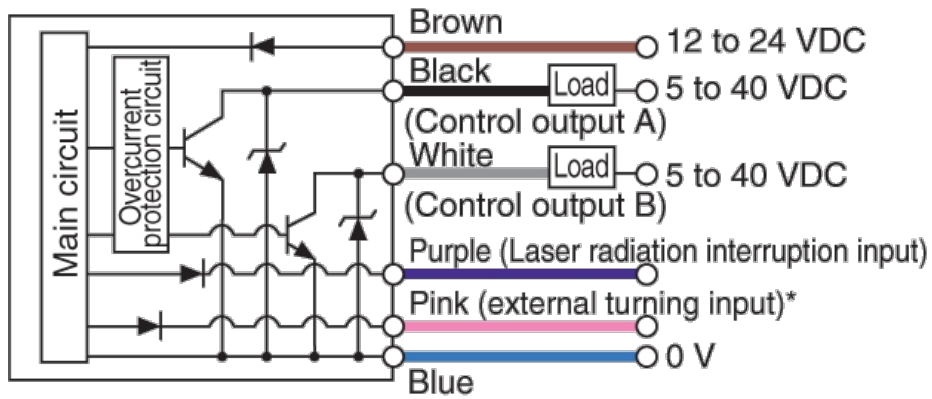
Dimensions

LV-21



I/O Circuit Connection diagram

NPN



\* Orange (monitor output) only for LV-51M

Laser radiation interruption (main unit only)

External calibration input

NPN

