

CV-070

Color Camera for CV-700 Series

**[Discontinued model]**

This model has been discontinued.

Recommended Replaceable Products

- High-Speed, Multi-Camera Machine Vision System
CV-X200/X100 series

To contact us:

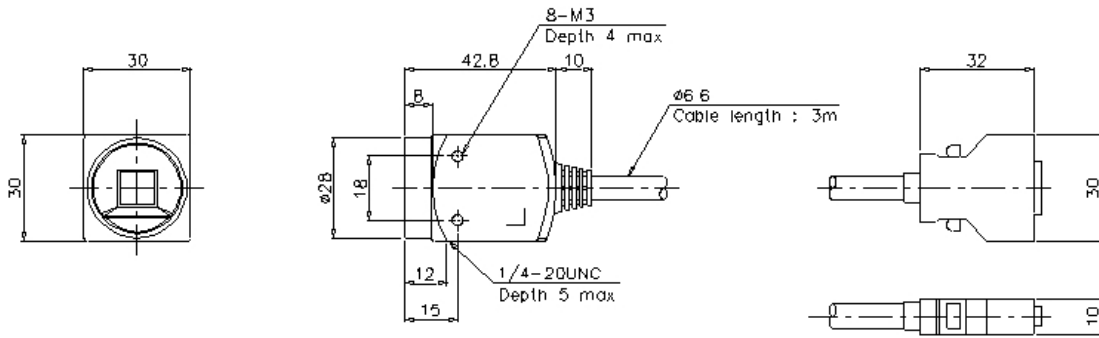
1-888-539-3623

SPECIFICATIONS

Model	CV-070	
Image sensor	1/3-inch color CCD image receiving element, progressive scan using square pixels, 350,000 pixels	
Scan method	—	
Transfer system	—	
Electronic shutter	1/30, 1/50, 1/60, 1/100, 1/125, 1/250, 1/500, 1/1000, 1/2000, 1/4000	
Lens mount method	C mount	
Environmental resistance	Operating temperature range	0 to +40°C 32°F to 104°F
	Operating ambient humidity	35 to 85%RH (no condensation)
Weight	Camera: approx. 310 g (including the 3 m cord)	

Dimensions

CV-070



When mounting bracket is attached

