



CV-035C

Digital Double-speed Color Camera



## SPECIFICATIONS

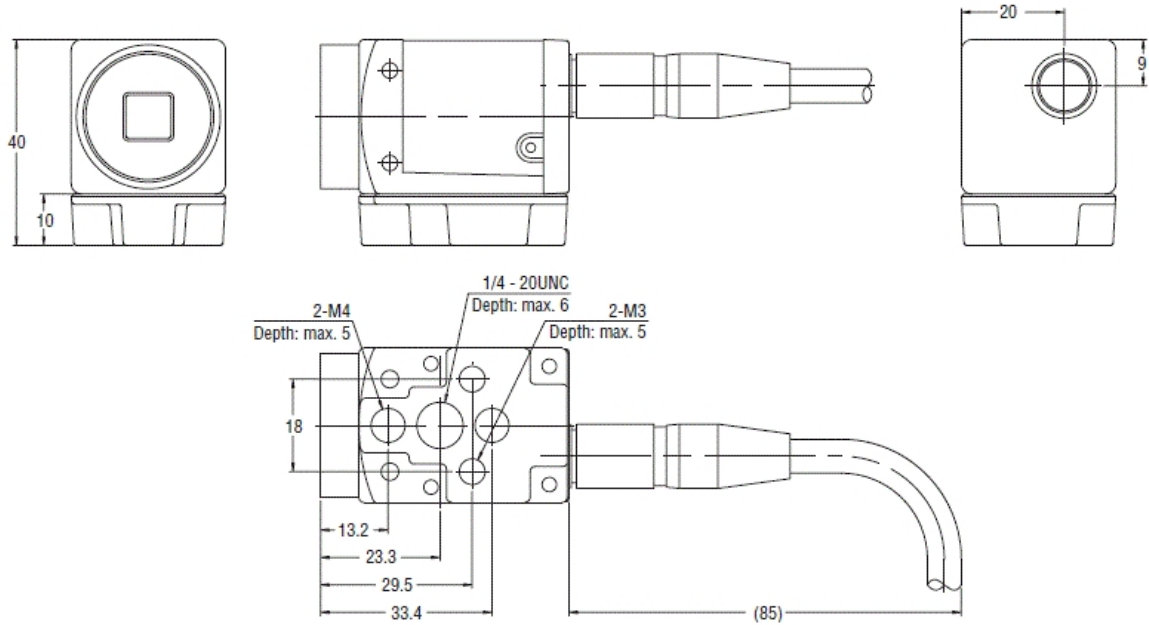
Model	CV-035C	
Type	Camera	
Image pickup element	1/3 -inch color CCD image receiving element, 2 x high-speed reading using square-pixel, 350,000 pixels Unit cell size: 7.4 x 7.4 $\mu\text{m}$ 0.29 x 0.29 Mil	
Number of valid pixels	320,000 pixels 656 (H) x 492 (V) *1	
Scanning system	Progressive (16 ms)	
Pixel transfer frequency	24.5MHz	
Transfer system	Digital serial transfer	
Electronic shutter	1/15, 1/30, 1/60, 1/120, 1/240, 1/500, 1/1000, 1/2000, 1/5000, 1/10000, 1/20000, 0.05 msec to 9000 msec can be set with numeric values.	
Lens mount method	C-mount	
Environmental resistance	Ambient temperature	0 to +50 °C 32 to 122 °F
	Relative humidity	35 to 85 % RH (No condensation)
Weight	Approx. 100 g (not including lens)	
*1 In 310,000-pixel mode, 310,000 pixels (640 x 480) serve as the processing area. In 240,000-pixel mode, 240,000 pixels (512 x 480) serve as the processing area.		

## Dimensions

\* Download CAD file or product manual for larger image/text and more detail.

### Digital Cameras (CV-035C/035M)

With plastic mount attached (factory shipped condition)



Without plastic mount

