



KABA[®]

For Time & Attendance and more – B-Net[®] 93 60 Terminal

The terminal is not only ideal for time recording.

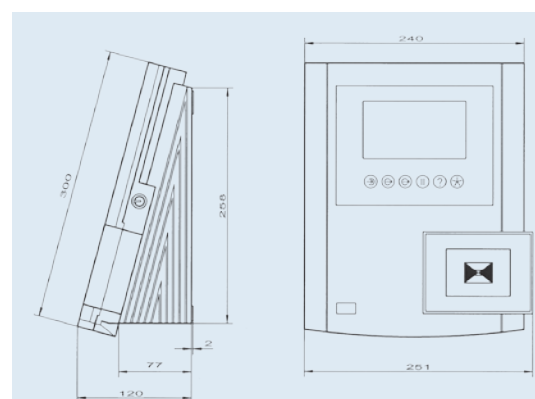
Due to its technical features, it can be adapted flexibly to numerous customer-specific organizational structures. It is typically used as collection terminal within an ERP system or for all functions around the access control.

B-Net 93 60 – The Features

- Graphic, transfective LCD display with a resolution of 240 x 128 pixels for the display of time data and information.
- Matrix touchscreen with 8 x 8 fields and graphic overlay (passepartout).
- The standard overlay features six function keys with colored symbols for In, Out, official absence, break, balance query, and special functions.
- Within the software another nine function keys are freely parameterized, being displayed and activated on the touchscreen.
- Dynamic function keys are displayed on the screen as needed.
- Up to four languages are supported.
- Time-controlled switch of function keys can be individually programmed per day.
- With plausibility checks of authorizations and In/Out erifications, erroneous bookings are avoided.
- Mailbox function to provide employees with one-time information.
- Easy adaptation to collection processes through parameter setting.
- Storage of 2,000 master records and 8,000 booking records or 3,500 master records and 3,000 booking records respectively.
- Contact-free data collection via LEGIC reader. Other readers such as inductive, mag-stripe, Mifare, Hitag, HID, etc. are also available.
- Data retention in case of power failure and automated restart.
- Operation in online, offline, and autonomous modes.
- Standard 10/100 Mbps Ethernet interface.
- Two relays and four digital inputs, e.g. for the monitoring of one door.
- IP 30 / IP 54 protection class (depending on type of reader).
- Three-point locking mechanism to ensure a tight sealing of the device.
- Ambient temperature - 10°C to + 40°C.
- Compatibility with the Bedas and Bedanet Terminal Series and thus protection of your investment.
- Manufactured according to DIN EN ISO 9001 : 2000 quality standard.

Optional:

- Customized overlay design.
- RS 485 host interface.
- Memory expansion for up to 10,000 master records and 50,000 booking records.
- Connection of up to four subterminals for time recording and access control.
- Uninterruptible power supply (UPS - for up to four hours operating time under typical conditions).
- Reader keypad for alphanumeric data input.



Detailed dimensional drawings are available for downloading on our homepage.

Subject to technical changes without notice!
Order No. O4036377, Issue P/0906

Kaba GmbH
Workforce Management
 Albertstraße 3
 78056 Villingen-Schwenningen
 Germany
 Phone +49 7720 603-0
 Fax +49 7720 603-102

www.kaba.com

