

product specifications

physical characteristics

Length
25.4 cm (10")

Height
3.8 cm (1.5")

Width
7.6 cm (3")

Weight
1.0 kg (2.3 lbs.)

power options

Primary power
1000 mAh Ni-Cad battery pack

8 hours of operation

AC power supply

interface

Asynchronous RS-232C

Data rate
2400 to 19.2 KBps

1 or 2 stop bits

7 or 8 data bits

Even parity

protocol

Polling Mode D

Multi-Drop

RF data communications

Direct-sequenced
spread-spectrum radio

Bi-directional RF communications
to base unit

Power output
250 mWatt max.

Frequency
902 to 928 MHz per FCC Part 15

Data rate
122 KBps

Protocol
ISO Standard HDLC

Channels
7, user programmable

status lights

Connected

Transmit

Data buffered

Fault

carrying case

A fanny-pack style carrying case is
available as an option

diagnostics

Self test during power on

Low-battery warning

environmental

Operating
-20° to 50°C (-4° to 122°F)

Storage
-40° to 70°C (-40° to 158°F)

Humidity
Non-condensing (10 to 90% RH)

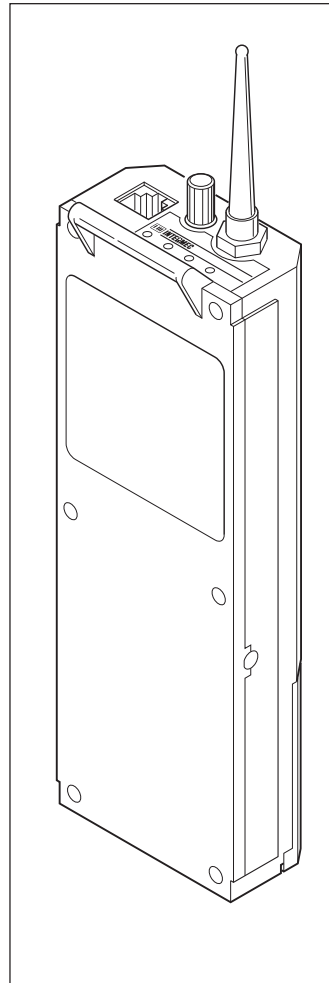
regulatory approvals

UL Listed, UL 1950

CSA Certified C22.2 No. 950-M89

FCC Part 15, Certified

Industry Canada TRC-76 Certified



**print!
capture!
connect!**

9I89

**900 MHz RF
gateway**

north america

INTERMEC CORPORATION
6001 36TH AVENUE WEST
P.O. BOX 4280
EVERETT, WASHINGTON 98203-9280
1 800 347 2636 *tel*
1 206 355 9551 *fax*
[HTTP://www.intermec.com](http://www.intermec.com) *internet*
info@intermec.com *e-mail*
GOVERNMENT SYSTEMS GROUP:
1 206 356 1652 *tel*
1 206 356 1889 *fax*
LABEL PRODUCTS: 1 800 227 9947 *tel*

europa/middle east/africa

INTERMEC EUROPEAN HEADQUARTERS
P.O. BOX 40223
6504 AE NIJMEGEN
MICROWEG 20
6545 CM NIJMEGEN
THE NETHERLANDS
+31 24 3723 131 *tel*
+31 24 3781 847 *fax*
LABEL PRODUCTS:
+31 24 3723 100 *tel*
+31 24 3780 070 *fax*

asia-pacific/latin america

INTERMEC CORPORATION
6001 36TH AVENUE WEST
P.O. BOX 4280
EVERETT, WASHINGTON 98203-9280
1 206 348 2755 *tel*
1 206 348 3788 *fax*
LABEL PRODUCTS: 1 513 874 5882

world-wide fax

DOCUMENT RETRIEVAL SERVICE
1 800 755 5505 *tel*

The words Intermec, AccessPoint™, Collect™, CrossBar®, Interscan™, IPL™, IRL®, JANUS®, MEDALLION®, PrintSet™, TRAKKER®, TRAKKER® Antares™, and the Print!Capture!Connect! character icons are trademarks of Intermec Corporation. Specifications are subject to change without notice. © 3/97 Intermec Corporation A Western Atlas Company

Intermec