

# product specifications

## physical characteristics

**Length**  
8.9 cm (3.5")

**Height**  
11.4 cm (4.5")

**Width**  
20.1 cm (7.9")

**Weight**  
2.6 kg (5.6 pounds)

## rf data communications

Direct-sequenced  
spread-spectrum radio

Bi-directional RF communications to  
base station and remote devices

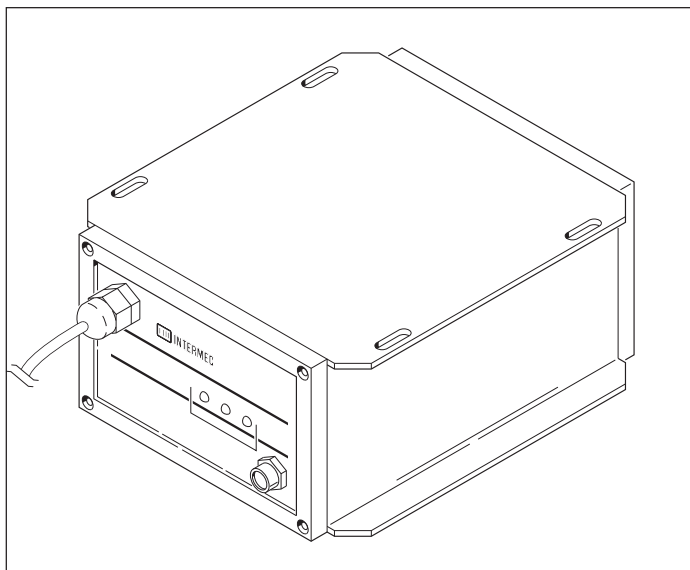
**Power output**  
250m Watt max.

**Frequency**  
902 to 928 MHz per FCC part 15

**Data rate**  
122 Kbps

**Protocol**  
JSD Standard HDLC

**Channels**  
7, user programmable



## status indicator lights

Power on

Transmit

Receive

## connectors

**Antenna**  
Watertight TNC

## electrical characteristics

100 VAC to 240 VAC, 50/60 Hz

## environmental

**Operating**  
-20° to 50°C (-4° to 122°F)

**Storage**  
-40° to 70°C (-40° to 158°F)

**Humidity**  
Non-condensing (10 to 90% RH)

Verified by UL and CSA for  
compliance to IEC 529 Level IP 53,  
suitable for use in damp locations;  
CSA enclosure type 3.5

## regulatory approvals

UL Listed, UL 1950

CSA Certified, C22.2 No, 950-M89

FCC part 15, Certified

Industry Canada TRC-76 Certified



**print!  
capture!  
connect!**

# 9I83

## 900MHz RF repeater

### north america

INTERMEC CORPORATION  
6001 36TH AVENUE WEST  
P.O. BOX 4280  
EVERETT, WASHINGTON 98203-9280  
1 800 347 2636 *tel*  
1 206 355 9551 *fax*  
[HTTP://www.intermec.com](http://www.intermec.com) *internet*  
[info@intermec.com](mailto:info@intermec.com) *e-mail*  
**GOVERNMENT SYSTEMS GROUP:**  
1 206 356 1652 *tel*  
1 206 356 1889 *fax*  
LABEL PRODUCTS: 1 800 227 9947 *tel*

### europa/middle east/africa

INTERMEC EUROPEAN HEADQUARTERS  
P.O. BOX 40223  
6504 AE NIJMEGEN  
MICROWEG 20  
6545 CM NIJMEGEN  
THE NETHERLANDS  
+31 24 3723 131 *tel*  
+31 24 3781 847 *fax*  
LABEL PRODUCTS:  
+31 24 3723 100 *tel*  
+31 24 3780 070 *fax*

### asia-pacific/latin america

INTERMEC CORPORATION  
6001 36TH AVENUE WEST  
P.O. BOX 4280  
EVERETT, WASHINGTON 98203-9280  
1 206 348 2755 *tel*  
1 206 348 3788 *fax*  
LABEL PRODUCTS: 1 513 874 5882

### world-wide fax

DOCUMENT RETRIEVAL SERVICE  
1 800 755 5505 *tel*

The words Intermec, AccessPoint™, Collect™, CrossBar®, Interscan™, IPL™, IRL®, JANUS®, MEDALLION®, PrintSet™, TRAKKER®, TRAKKER® Antares™, and the Print!Capture!Connect! character icons are trademarks of Intermec Corporation. Specifications are subject to change without notice. © 3/97 Intermec Corporation A Western Atlas Company

# Intermec