

The Intermec logo is positioned vertically on the left side of the page. It features the word "Intermec" in a bold, blue, sans-serif font. To the left of the text is a blue square containing a white graphic of a stylized globe or network of nodes connected by lines.

**Intermec**

## **Product Profile**

- Light weight
- Economical
- Visible light and infrared wands
- Replaceable sapphire tip
- Reads over laminate bar codes
- Built with stainless steel body to resist liquids, dust and dirt



### **B a r P e n 1 2 8 X S C A N N E R**

The BarPen 1280 series wands are a great choice for an economical, lightweight and rugged input device. Each wand has a smooth, long-lasting synthetic sapphire tip in a rugged stainless steel body that resists liquids, dust and dirt. Choose from either visible light or infrared wands to meet your application needs.

The BarPen wands are great for all applications; from sterile environments of clean rooms to the dirt and dust that you encounter in warehouses and manufacturing sites. The BarPen wand with its steel barrel will stand up to the abuse and give many years of uninterrupted use.

**Intermec**

**General**

Visible light and infrared wand  
 Most economical barcode input device

**Physical Characteristics**

**Length:** 19.1cm (7.5")  
**Diameter:** 1.3cm (0.5")  
**Weight:** 100g (3.53 oz) with standard 8' coiled cable

**Optical System**

1280, 1281, 1282; 660nm  
 1283; 880nm

**Environmental**

**Operating:** - 23° to 50°C (-10° to 122°F)  
**Storage:** - 40° to 70°C (-40° to 158°F)  
**Humidity:** Non-condensing (0 to 95%)

**Operating Current**

**35 mA nominal at 4.5-5.5V:** 1280  
**16 mA nominal at 4.3-6.0V:** 1281, 1282, 1283 & 1286

**Operating Characteristics**

- 1280:** Visible Light Source  
 Bar Code Density - 5 to 7 mils  
 All Printing
- 1281:** Visible Light Source  
 Bar Code Density - 7 to 12 mils  
 All Printing
- 1282:** Visible Light Source  
 Bar Code Density - 12 to 40 mils  
 All Printing
- 1283:** Infrared Light Source  
 Bar Code Density - 7 to 12 mils  
 Carbon Inks
- 1286:** Infrared Light Source  
 Bar Code Density - 5 to 7 mils  
 All Printing / bar code with over laminate

Upper read range can be extended to 30 mils if grade "A" print quality

**Scan Velocity**

**1280/1286:** 5 to 76cm (2 to 29") per second at 5 mils  
**1281-1283:** 5 to 127cm (2 to 50") per second at 10 mils and up

**Reading Angle**

**1280/1286:** 10° to 30°  
**1281-1283:** 0° to 35°

**Depth of Field**

**1280/1286:** .25 to 1.0mm (0 to 0.040") at 5 mils  
**1281-1283:** 0 to 1.6mm (0 to 0.065") at 7.0 mils and up

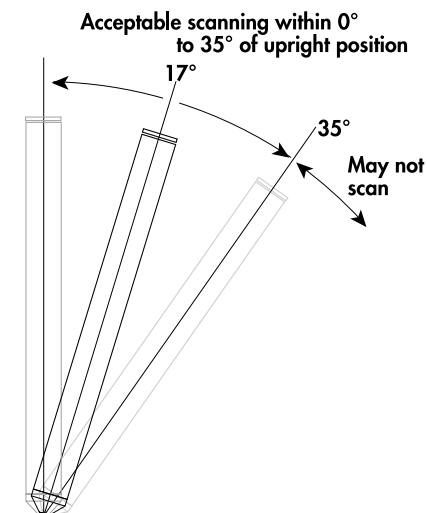
**Cables**

- 069444-001** For 944X and 95XX (RJ-11, 6-Pin), 8' (244cm) Cable
- 069444-002** For J2010, T24XX and 97XX (10-Pin Mod), 8' (244cm) Cable
- 069444-005** For 9730 Port 4 (9-Pin Squeeze), 8' (244cm) Cable
- 069444-006** For 9730 Port 1, MaxiBar, MagScan, MaxiScan 2200 w/ Wand Input (RJ11, 6-Pin), 8' (244cm) Cable
- 069444-021** For 944X and 95XX (RJ-11, 6-Pin), 20' (610cm) Cable
- 069444-022** For J2010, T24XX and 97XX (10-Pin Mod), 20' (610cm) Cable

**Replacement Tip**

**062441:** Replacement tip for all models

**Optimum scanning angle at 17° from the upright position**



**North America**

Corporate Headquarters  
 6001 36<sup>th</sup> Avenue West  
 Everett, Washington 98203  
 tel: 425.348.2600  
 fax: 425.355.9551

**Systems & Solutions**

550 2<sup>nd</sup> Street S.E.  
 Cedar Rapids, Iowa 52401  
 tel: 319.369.3100  
 fax: 319.369.3453

**Media Supplies**

9290 Le Saint Drive  
 Fairfield, Ohio 45014  
 tel: 513.874.5882  
 fax: 513.874.8487

**Europe/ Middle East & Africa**

Headquarters  
 Sovereign House  
 Vastern Road  
 Reading, Berkshire RG1 8BT  
 United Kingdom  
 tel: +44.118.987.9400  
 fax: +44.118.987.9401

**Gothenburg**

Idrottsvägen 10  
 P.O. Box 123  
 SE-431 22 Mölndal  
 Sweden  
 tel: +46.31.869500  
 fax: +46.31.869595

**Asia/**

**Latin America**

Hong Kong  
 26-12 Shell Tower  
 Times Square  
 1 Matheson Street  
 Causeway Bay  
 Hong Kong  
 tel: 852.2574.9777  
 fax: 852.2574.9725

**Singapore**

25-16 International Plaza  
 10 Anson Road, 079903  
 tel: 65.324.8391  
 fax: 65.324.8393

**Australia**

Level 7, 200 Pacific Highway  
 Crows Nest NSW 2065  
 Australia  
 tel: 61.2.9901.2065  
 fax: 61.2.9954.6300

**South America and Mexico**

17921 B Skypark Circle  
 Irvine, California 92614  
 tel: 949.442.9393  
 fax: 949.757.1687

**Worldwide**

**Fax Document Retrieval Service**

800.755.5505  
 (North America Only)  
 tel: 650.556.8447

**Internet**

www.intermec.com

**Sales**

800.347.2636  
 (toll free in N.A.)  
 tel: 425.348.2726

**Service and Support**

800.755.5505  
 (toll free in N.A.)  
 tel: 425.356.1799

Copyright © 2002 Intermec Technologies Corporation. All rights reserved. Intermec is a registered trademark of Intermec Technologies Corporation. All other trademarks are the property of their respective owners. Printed in the U.S.A. 608553-01C 01/02

In a continuing effort to improve our products, Intermec Technologies Corporation reserves the right to change specifications and features without prior notice.