



# LS6100

## High Performance Compact Laser Scanner

### FEATURES

- High frequency laser diode modulation system
- Advanced electronic digitizer
- Adjustable focus system
- Reading distance up to 1800 mm
- Depth of field up to 1600 mm
- Scanning speed up to 1000 scans/sec.
- Compact industrial housing 101 x 83.5 x 66.5 mm
- IP65 protection class

### APPLICATIONS

- High speed conveyors
- Parcel sorting
- Automated warehouses
- Automatic picking systems
- Work-in-progress tracking and monitoring

### GENERAL DESCRIPTION

The laser diode scanner **LS6100** is an industrial bar code reader which implements the most advanced technology and offers excellent performance.

The high frequency laser diode modulation system guarantees high immunity to ambient light and allows installation of the **LS6100** in any working conditions.

The scanner has been designed to meet the requirements of applications concerning automatic identification of objects on high speed conveyors, and to create very high reading performance systems for package sorting.

Thanks to the use of the advanced electronic digitizer, the **LS6100** tailors its characteristics to the application to be implemented and to the code to be read, thus offering high performance in any reading conditions.

The adjustable focus system makes the reading field choice very flexible and permits the **LS6100**'s characteristics to adapt perfectly to the application's needs.

Excellent reading performance is assured by a max. scanning speed of 1000 scans/sec. and a max. reading distance of 1800 mm (71.0 in.) with a max. depth of field of 1600 mm (63.0 in.).

The **LS6100** is enclosed in an industrial case with very compact dimensions. Due to its reduced size, the reader can be installed on any kind of conveyor without difficulty.

The **LS6100** can be connected to all Datalogic industrial decoders.



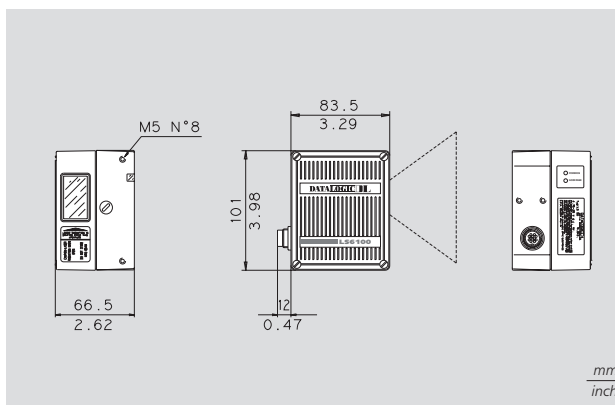
# MODELS AND ACCESSORIES

MODEL	VERSION				USA VERSION	ORDER NUMBER
	Linear	Raster R1	Raster R2	Raster R3		
LS6100-1000	•					910871000
LS6100-1001	•				•	910871010
LS6100-1010		•				910871020
LS6100-1011		•			•	910871030
LS6100-1020			•			910871040
LS6100-1021			•		•	910871050
LS6100-1030				•		910871060
LS6100-1031				•	•	910871070
<b>ACCESSORIES</b>						
GFC-50	90° reading device					B9751067
GFC-05	Oscillating mirror attachment					B9751098

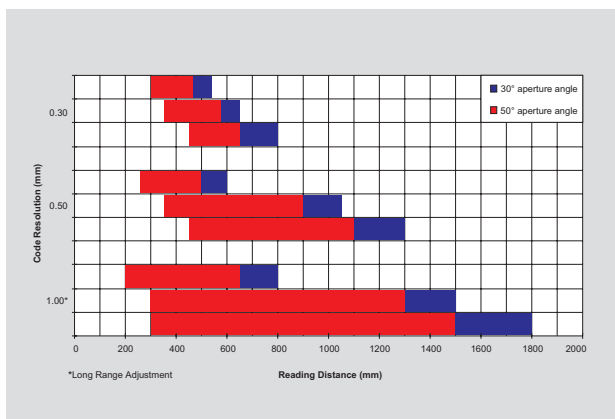
## SPECIFICATIONS

POWER SUPPLY	10 to 30 Vdc
POWER CONSUMPTION	5.5 W
LIGHT SOURCE	Visible laser diode (670 nm)
MAX. RESOLUTION	0.20 mm (8 mils)
SCAN RATE	800 (1000) scans/sec
MAX. READING DISTANCE	1800 mm (71.0 in)
MAX. DEPTH OF FIELD	1600 mm (63.0 in)
APERTURE ANGLE	55 degrees
LED INDICATORS	'Power On', 'Laser On', 'Good Read'
LASER CLASSIFICATION	IEC 825 Class 2
LASER CONTROL	Security system to turn laser Off in case of motor slow down or failure
DIMENSIONS	101 x 83.5 x 66.5 mm (4.0 x 3.3 x 2.6 in)
WEIGHT	680 g (24 oz approx.)
CASE MATERIAL	Cast aluminium
OPERATING TEMP.	0 to 40 °C (32 to 104 °F)
STORAGE TEMP.	-20 to 70 °C (-4 to 158 °F)
HUMIDITY	90% non condensing
VIBRATION RESISTANCE	IEC 68-2-6 test FC 1.5 mm; 10 to 55 Hz; 2 hours on each axis
SHOCK RESISTANCE	IEC 68-2-27 test EA 30 G; 11 ms; 3 shocks on each axis
PROTECTION CLASS	IP65

## DIMENSIONS



## READING DIAGRAM



Product and company names and logos referenced may be either trademarks or registered trademarks of their respective companies.

We reserve the right to make modifications and improvements

**Datalogic S.p.A.**  
Italy  
Corporate Headquarters  
Tel. +39 051/3147011  
Fax +39 051/726562  
info@datalogic.it

**Sales Italy**  
Tel. +39 051/3147300  
Fax +39 051/726562  
venditeitalia@datalogic.it

**Sales International**  
(Central and South America,  
Far East, Middle East - Africa)  
Tel. +39 041/5986511  
Fax +39 041/5986550  
sales-int@datalogic.it

**Australia**  
Datalogic PTY LTD.  
Tel. +61 3/95589299  
Fax +61 3/95589233  
sales@datalogic.com.au

**Germany**  
Datalogic GmbH  
Tel. +49 7026/6080  
Fax +49 7026/5746  
info@datalogic.de

**Sweden**  
Datalogic AB  
Tel. +46 40/385000  
Fax +46 40/385001  
info@datalogic.se

**Austria**  
Datalogic Handelges MBH  
Tel. +43 2236/258820  
Fax +43 2236/258825  
office@datalogic.co.at

**Japan**  
Izumi Datalogic Co., Ltd.  
Tel. +81 78/2723400  
Fax +81 78/2722003  
idlmarke@izumi-datalogic.co.jp

**United Kingdom**  
Datalogic UK Ltd.  
Tel. +44 1582/464900  
Fax +44 1582/464999  
enquiries@datalogic.demon.co.uk

**Denmark**  
Datalogic AB  
Tel. +45 44/209970  
Fax +45 44/209972  
info@datalogic.se

**Netherlands**  
Datalogic Optic Electronics BV  
Tel. +31 346/572888  
Fax +31 346/568736  
info@datalogic.nl

**U.S.A.**  
Datalogic Inc.  
Tel. +1 859/6897000  
Fax +1 859/3344970  
info@datalogic.com

**France**  
Datalogic France S.A.  
Tel. +33 1/60921111  
Fax +33 1/60921340  
dlfrance@worldnet.fr

**Spain**  
Datalogic España  
Tel. +34 93/4335253  
Fax +34 93/4335254  
datalogic@sei.es

**Datalogic Quality Partner**

