



# VS8000

## Laser Detector

### FEATURES

- Multi-purpose detection system
- 800 x 800 mm detection area
- Real time data computing
- Installation and setting as a bar code scanner
- Easy installation on any type of conveyor
- IP64 rugged industrial housing

### APPLICATIONS

- Parcel sorting
- Mail object sorting
- Loading/unloading systems
- Transport and layout optimization

### GENERAL DESCRIPTION

The **VS8000** laser scanner is based on some of the most innovative Datalogic patented technologies. Thanks to its flexible and open architecture, the **VS8000** can be customized to perform various identification functions on objects transported on conveyors in an extremely cost effective way. These functions include object detection, footprint detection and object classification.

Object detection involves real time contrast analysis and object distance measurement allowing presence detection of objects transported on conveyors with heights from 0 to 800 mm. This automatic function can be exploited when standard systems cannot be utilized due to the conveyor shape or to the object thickness.

Footprint detection extends the concept of object sensing. The **VS8000** provides information about the footprint area, the orientation and position of objects across the conveyor belt or tray. This information communicated to the sorter control system can be utilized during tray or belt operation to avoid possible sorting errors or parcel jams.

Object classification detects object profiles and estimates overall object size by scanning objects in movement. Estimated data can be used for layout and transport optimization systems as well as many other applications.

Thanks to the **VS8000's** simple architecture, installing and operating the detection system is as easy as for a standard laser scanner allowing easy integration and providing great advantages to system integrators and end users.

The **VS8000** works on top of conveyors and covers a standard area of 800 x 800 mm. It can be easily integrated into omni-directional reading stations based on Datalogic's laser scanners.

With this device, Datalogic offers a reliable solution for specific identification needs and new process automation capabilities to materials handling operators.



# MODELS AND ACCESSORIES

MODEL	DESCRIPTION	ORDER NO.
VS8000-1010	Laser detector, RS232 interface	932701010
ACCESSORIES		
PWR-240	240W power unit 110/230 Vac 24 Vdc	93ACC1070
FBK-8100	Fast bracket kit (2 pcs)	93ACC1130
US-8100	Bracket kit (10 pcs)	93ACC1140

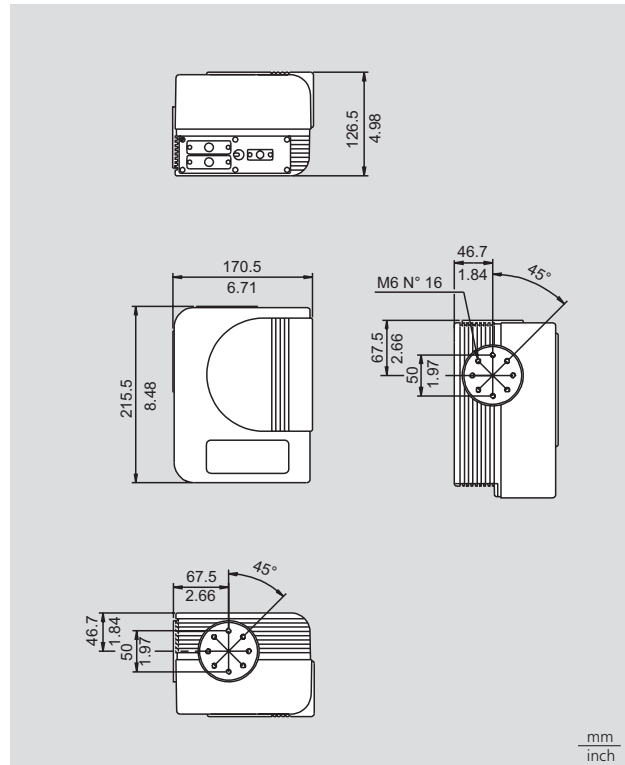
Please refer to local subsidiaries/distributors for cables, connectors and terminators.

## SPECIFICATIONS

POWER SUPPLY	20 to 30 Vdc
POWER CONSUMPTION	30 W
LIGHT SOURCE	Visible Laser Diode (660 nm) IR laser diode (780 nm)
LIGHT RECEIVER	Avalanche photodiode
SCAN RATE	800 scans per second
STANDARD COVERAGE AREA	800 X 800 mm
COMMUNICATION	RS232 (RS422 optional)
COMMUNICATION SPEED	1,200 to 38,400 bauds
INPUT SIGNALS	'Presence sensor', 'Encoder' (NPN/PNP transistor)
OUTPUT SIGNALS	3 programmable (NPN transistor open collector and emitter)
SET UP	Via RS232 serial port
LED INDICATORS	6 LED status indicators
LASER CLASSIFICATION	IEC 825 Class 3A
LASER CONTROL	Security system to turn laser Off in case of motor slow down or failure
DIMENSIONS	215.5 x 170.5 x 126.5 mm (8.48 x 6.71 x 4.98 in)
WEIGHT	5.0 Kg (11 lbs) approx.
CASE MATERIAL	Aluminum
OPERATING TEMPERATURE	0 to 45 °C (32 to 113 °F)
STORAGE TEMPERATURE	-20 to 70 °C (-4 to 158 °F)
HUMIDITY	90% non condensing
VIBRATION RESISTANCE	IEC 68-2-6 test FC 1.5 mm, 10 to 55 Hz; 2 hours on each axis
SHOCK RESISTANCE	IEC 68-2-27 test EA 30 G 11 ms; 3 shocks on each axis
PROTECTION CLASS	IP64 (IP65 optional)

\*Contact your local Datalogic distributor or subsidiary for further information about VS8000 characteristics, capabilities, performance, and application limits.

## DIMENSIONS



Product and company names and logos referenced may be either trademarks or registered trademarks of their respective companies.

We reserve the right to make modifications and improvements.

**Datalogic S.p.A.**  
Italy  
Corporate Headquarters  
Tel. +39 051/3147011  
Fax +39 051/726562  
venditeitalia@datalogic.it  
info@datalogic.it

**Sales Italy**  
Tel. +39 051/3147300  
Fax +39 051/726562  
venditeitalia@datalogic.it

**Sales International**  
(Central and South America,  
Far East, Middle East - Africa)  
Tel. +39 041/5986511  
Fax +39 041/5986550  
sales-intl@datalogic.it

**Australia**  
Datalogic PTY LTD.  
Tel. +61 3/95589299  
Fax +61 3/95589233  
sales@datalogic.com.au

**Germany**  
Datalogic GmbH  
Tel. +49 7026/6080  
Fax +49 7026/5746  
info@datalogic.de

**Sweden**  
Datalogic AB  
Tel. +46 40/385000  
Fax +46 40/385001  
info@datalogic.se

**Austria**  
Datalogic Handelges MBH  
Tel. +43 2236/258820  
Fax +43 2236/258825  
office@datalogic.co.at

**Japan**  
Izumi Datalogic Co., Ltd.  
Tel. +81 78/2723400  
Fax +81 78/2722003  
idmarke@izumi-datalogic.co.jp

**United Kingdom**  
Datalogic UK Ltd.  
Tel. +44 1582/464900  
Fax +44 1582/464999  
enquiries@datalogic.demon.co.uk

**Denmark**  
Datalogic AB  
Tel. +45 44/209970  
Fax +45 44/209972  
info@datalogic.se

**Netherlands**  
Datalogic Optic Electronics BV  
Tel. +31 346/572888  
Fax +31 346/568736  
info@datalogic.nl

**U.S.A.**  
Datalogic Inc.  
Tel. +1 859/6897000  
Fax +1 859/3344970  
info@datalogic.com

**France**  
Datalogic France S.A.  
Tel. +33 1/60921111  
Fax +33 1/60921340  
dlfrance@worldnet.fr

**Spain**  
Datalogic España  
Tel. +34 93/4335253  
Fax +34 93/4335254  
datalogic@sei.es

**Datalogic Quality Partner**

