



DL65/80

Hand-Held CCD Readers

Features

- 65 and 82 mm reading windows
- Exceptional PCS performance
- Fully user programmable
- Lightweight
- Excellent depth of field
- Slim line high impact ABS housing
- Low power consumption

Applications

- Data Collection in Commercial environments:
 - EPOS
 - Libraries
 - Pharmacies
 - Banks
 - Insurance Companies
 - Rental Companies
- Data Collection in Industrial environments:
 - Work in Progress
 - Production Control
 - Goods in/out

General Description

The **DL65/80** series combines the latest advances in "CCD" technology and optical components to provide an exceptionally high quality hand-held bar code reader with optimum performance.

The **DL65/80** reliably scans both high and low density codes, even if they are of poor quality and applied to curved or uneven surfaces.

The automatic gain control employed within **DL65/80** compensates for the varying print quality of codes. This allows reading of codes produced from carbon copy paper and codes with contrast levels as low as 0.20 PCS.

The **DL65/80** includes a Wedge interface which may be connected to over 160 different types of PCs and Terminals. The wedge interface uses plug-in cables to match the computer. Therefore, if the computer is changed, only the plug-in cables need to be substituted, not the entire CCD.

All devices are supplied with a bar code configuration manual. Should the factory default settings not match the particular application, the user can customise the **DL65/80** to read and transmit exactly what is required using the configuration manual. These new settings may be saved in non-volatile memory, and the **DL65/80** automatically configures itself to these during every "power on" self check phase.

The two readers differ only in reading aperture. The **DL65** has a 65 mm reading window, while it is 82 mm on the **DL80**. This larger aperture allows the **DL80** to go one step beyond the **DL65** in that not only is it appropriate for retail environments, it is also perfect for other application areas where code length has previously dictated that more expensive laser technology must be employed.

Models and Accessories

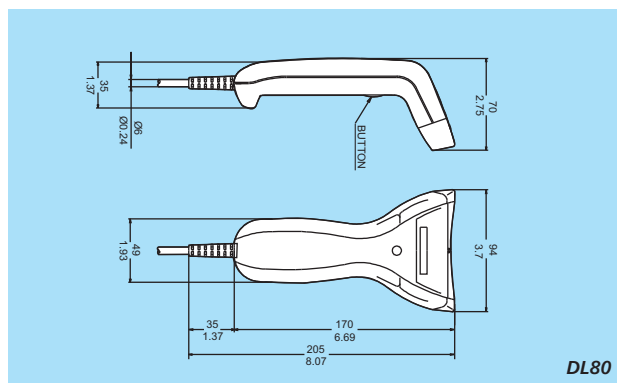
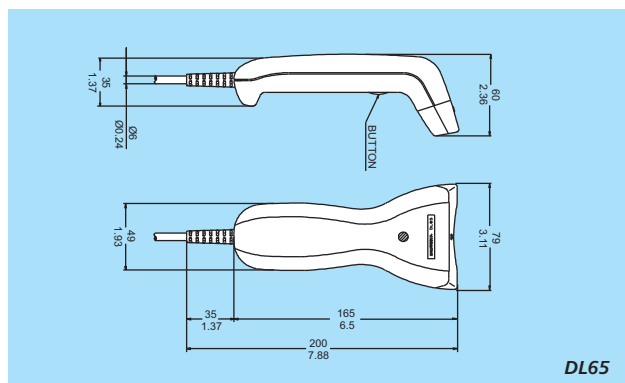
TYPE	DESCRIPTION	ORDER NO.
DL65-60	Lettore "CCD" con finestra di lettura di 65 mm, emulazione tastiera, senza pulsante	B9711812
DL65-61	Lettore "CCD" con finestra di lettura di 65 mm, emulazione tastiera, con pulsante	B9711813
DL80-60	Lettore "CCD" con finestra di lettura di 80 mm, emulazione tastiera, senza pulsante	B9711258
DL80-61	Lettore "CCD" con finestra di lettura di 80 mm, emulazione tastiera, con pulsante	B9711259
ACCESSORI		
SPC-65	Supporto da tavolo/parete in plastica	90J011000
CAB284	Cavo per la duplicazione della programmazione per DL65/80-6x	BF08000284
PG5 (110 Vac)	Alimentatore	B9751038
PG5 (220 Vac)	Alimentatore	B9751037

Specifications

POWER SUPPLY	Directly from terminal/PC or by using PG5 power supply if terminal/PC is unable to provide the 95 mA needed	READABLE BAR CODES	2/5 family, Code 39, Code 93, Code 128, Code 32, Code 39 CIP, EAN128, EAN/UPC, Codabar, Code 11, Plessey, MSI				
POWER CONSUMPTION (typical values)	<table border="0"> <tr> <td><i>Operating mode</i></td> <td><i>Off mode</i></td> </tr> <tr> <td>DL65-60/61 (DL80-60/61)</td> <td>90 mA (95 mA) 25 mA</td> </tr> </table>	<i>Operating mode</i>	<i>Off mode</i>	DL65-60/61 (DL80-60/61)	90 mA (95 mA) 25 mA	PROGRAMMING METHOD	Reading special programming bar codes Master/slave configuration*
<i>Operating mode</i>	<i>Off mode</i>						
DL65-60/61 (DL80-60/61)	90 mA (95 mA) 25 mA						
SENSOR	Linear CCD array, 2048 pixels	DIMENSIONS	165 x 79 x 60 mm; 6.5 x 3.1 x 2.4 in (DL65) 170 x 94 x 70 mm; 6.7 x 3.7 x 2.8 in (DL80)				
LIGHT SOURCE	Visible red LED (660 nm)	WEIGHT (approx.)	160 g, 5.6 oz (DL65) 170 g, 6 oz (DL80)				
MAX. RESOLUTION	6 mils (0.15 mm)	CASE MATERIAL	ABS				
SCAN RATE	60 scans/sec.	CABLE LENGTH	1.5 m (4.92 ft)				
PRINT CONTRAST RATIO	Min PCS = 20%	AMBIENT LIGHT CONDITIONS	20,000 lux max. (on contact with code)				
MAX. BAR CODE LENGTH	65 mm, 2.56 in (DL65); 82 mm; 3.23 in (DL80)	OPERATING TEMPERATURE	-10 to 45 °C (14 to 113 °F)				
READING DISTANCE	0 to 30 mm, 0 to 1.2 in (DL65) 0 to 25 mm, 0 to 1 in (DL80)	STORAGE TEMPERATURE	-20 to 70 °C (-4 to 158 °F)				
DECODER	Built-in (except DL65/80-00/01)	HUMIDITY	90% non condensing				
"GOOD READ" INDICATORS	LED and adjustable tone "beeper"	SHOCK RESISTANCE	IEC 68-2-27 Test EA				
READING SAFETY	Time selection between one reading and another of the same code up to 9.9 sec.	DROP RESISTANCE	IEC 68-2-32 Test ED				
READING MODE	Single code or auto-discrimination	PROTECTION CLASS	IP30				

*Using copy cable as listed in Accessories

Dimensions



DATA LOGIC DL
Bar Code & More

Product and company names and logos referenced may be either trademarks or registered trademarks of their respective companies.

Australia
Datalogic PTY LTD.
Tel. +61 3/95589299
Fax +61 3/95589233
sales@datalogic.com.au

Germany
Datalogic GmbH
Tel. +49 7026/6080
Fax +49 7026/5746
info@datalogic.de

Spain
Datalogic France S.A.
Tel. +34 93/3221227
Fax +34 93/4394136
datalogic@sei.es

Austria
Datalogic Handelsges MBH
Tel. +43 2236/258820
Fax +43 2236/258825
office@datalogic.co.at

Italy
Datalogic S.p.A.
Tel. +39 051/6459300
Fax +39 051/726562
venditeitalia@datalogic.it

Sweden
Datalogic AB
Tel. +46 40/385000
Fax +46 40/385001
info@datalogic.se

Denmark
Datalogic AB
Tel. +45 44/209970
Fax +45 44/209972
info@datalogic.se

Japan
Izumi Datalogic Co., Ltd.
Tel. +81 78/2723400
Fax +81 78/2722003
idmarke@izumi-datalogic.co.jp

United Kingdom
Datalogic UK Ltd.
Tel. +44 1582/464900
Fax +44 1582/464999
enquiries@datalogic.demon.co.uk

France
Datalogic France S.A.
Tel. +33 1/60921111
Fax +33 1/60921340
dlfrance@worldnet.fr

Netherlands
Datalogic Optic Electronics BV
Tel. +31 346/572888
Fax +31 346/568736
info@datalogic.nl

U.S.A.
Datalogic Inc.
Tel. +1 859/6897000
Fax +1 859/3344970
info@datalogic.com



We reserve the right to make modifications and improvements

Datalogic Quality Partner



These products are available through the worldwide network of Datalogic Quality Partners.

