

LTC 0485 Series DinionXF Color Cameras

www.boschsecurity.com



BOSCH

Invented for life



- ▶ 15-bit DSP technology
- ▶ XF-dynamic
- ▶ Bilinx communication
- ▶ NightSense
- ▶ Default shutter

The LTC 0485 Series of High Performance 1/3-inch Digital CCD Color Cameras create the best possible image, even under the most difficult light and scene conditions. Based on unique 15-bit digital video processing technology and employing XF-Dynamic, these cameras provide excellent sensitivity with extended dynamic range. By employing the best 1/3-inch CCD available, advanced front end processing, combined with the outstanding Dinion DSP, the cameras achieve an astonishing sensitivity, providing better color images in low light situations and sharper daytime images. Intelligent White balance algorithms, supported by a White Balance Hold function and even full manual white balance, ensure the most accurate color reproduction possible. All Dinion cameras are supplied ready to operate. Simply attach and focus the lens, and connect power to provide optimal pictures under virtually all scene conditions. No tools are required for back focus and power connection. For extra challenging situations where fine tuning or special settings are required, the camera parameters can be individually set using the control buttons on the side of the camera and On-screen Display (OSD). Also, to aid installation, the camera automatically detects the lens type, and using the Lens Wizard ensures accurate (back) focusing for perfectly sharp pictures at all times.

Functions

XF-Dynamic

Extended dynamic range is brought to a new level on the LTC 0485 Series Camera by XF-Dynamic technology. XF-Dynamic automatically processes the highly accurate 15-bit digital signal to optimally capture the detail in both the highlight and lowlight areas of the scene simultaneously, to maximize the information visible in the picture.

Bilinx Technology

The LTC 0485 series cameras incorporate Bilinx. Bilinx is a bidirectional communication capability embedded in the video signal of all Bosch Dinion cameras. With Bilinx technicians can check status, change camera settings and even update firmware from virtually anywhere along the video cable. Bilinx reduces service and installation time, provides for more accurate set-up and adjustment, and improves overall performance. In addition, Bilinx uses the standard video cable to transmit alarm and status messages, providing superior performance without additional installation steps.

Video Motion Detection

The built-in video motion detector allows you to select up to four fully programmable areas with individual thresholds. The global scene change detector

minimizes false alarms caused by sudden lighting condition changes, such as switching on or off the indoor or security lighting. When motion is detected alarms may be displayed in the video signal, the output relay can be closed in addition to alarm message transmission on Bilinx.

Auto Black

The automatic black level feature, enhances contrast by removing veiling glare from the picture or when contrast is reduced by fog or mist.

Default Shutter

When viewing moving objects a fast shutter speed is required. When using a fast shutter speed the lens opening or gain control needs to be increased to maintain the video signal. The camera sensitivity is limited by the fast shutter speed. The default shutter setting of the LTC 0485 offers the best of all worlds, fast shutter speed as long as there is sufficient light, however as the light level falls, when other adjustments have been exhausted, the shutter reverts to the standard setting maintaining the cameras excellent sensitivity.

Back Light Compensation (BLC)

Offering a fully programmable BLC area of interest, and a variable BLC level, the camera can be easily set up for even the most challenging entrance applications.

Lens Wizard

The LTC 0485 Series automatically detects the type of lens installed. The Lens Wizard will focus the lens at the maximum lens opening, to ensure that focus is maintained throughout the entire 24-hour day/night cycle. No special tools or filters are required.

Programmable Modes

The camera supports 3 independent operating modes. The 3 modes are preprogrammed for typical applications, but are fully programmable for individual situations. Switching between modes is easy via Bilinx or the external alarm input.

NightSense

The LTC 0485 cameras feature NightSense. With NightSense the sensitivity is increased by 9 dB in monochrome mode. NighSense can be automatically activated in low light situations, or remotely using Bilinx.

SensUp

By increasing the integration time on the CCD up to 10 times, the effective sensitivity is dramatically enhanced, especially useful where there is no artificial lighting and you rely on the moon, stars and scattered radiation.

Certifications and approvals

Electro Magnetic Compatibility

Emission	EN55022 class B, FCC class B part 15
----------	--------------------------------------

Immunity	EN50130-4 Alarm Systems, Part 4
Vibration	Camera with .5 kg (1.1 lbs) lens according to IEC60068-2-27

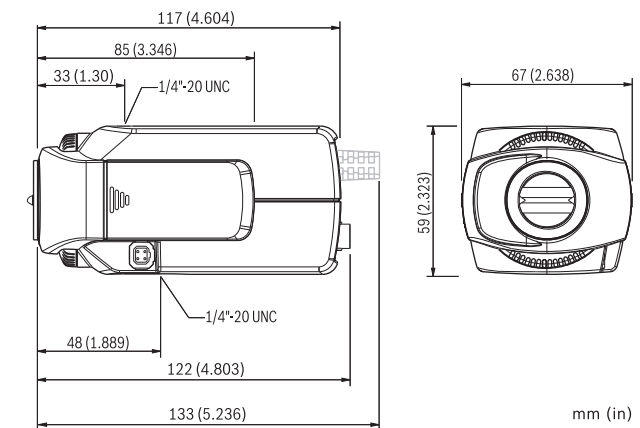
Safety

LTC 0485/11 and LTC 0485/51: EN60065

LTC 0485/21 and LTC 0485/61: UL6500, cUL CAN/CSA E60065-00

Region	Certification	
Europe	CE	Declaration of Conformity
USA	FCC	Declaration of Conformity

Installation/configuration notes



Dimensions in mm (inches)

Parts included

Quantity	Components
1	LTC 0485 Series Dinion ^{XF} Color Camera
1	Spare male 4-pin lens connector
	Lens not included

Technical specifications

Electrical		
Model No.	Voltage Range	
LTC 0485/11	12-28 VAC	45-65 Hz
	11-36 VDC	
LTC 0485/21	12-28 VAC	45-65 Hz
	11-36 VDC	
LTC 0485/51	85-265 VAC	45-65 Hz
LTC 0485/61	85-265 VAC	45-65 Hz
Power Consumption	4 W	
Imager	Interline transfer CCD, 1/3-inch format	

Active Pixels	
PAL	752 H x 582 V
NTSC	768 H x 492 V
Sensitivity (3200 k)	
Sensitivity (Full Video) ¹⁾	2.4 lux (0.24 fc)
Sensitivity 50 IRE ¹⁾	0.59 lux / 0.24 lux (NightSense) (0.059 fc / 0.024 fc (NightSense))
Minimum Illumination ¹⁾	0.24 lux / 0.10 lux (NightSense) (0.024 fc / 0.01 fc (NightSense))
Minimum Illumination with Sens Up	0.024 lux / 0.010 lux (NightSense) (0.0024 fc / 0.0010 fc (NightSense))
Horizontal Resolution	540 TVL
Signal-to-Noise-Ratio	> 50 dB
Video Output	1 Vpp, 75 Ohm
Y/C Output	Y: 1 Vpp / C: 0.3 Vpp
Synchronization	Internal, line lock, HV-lock and genlock (Burst lock) selectable
Electronic Shutter	Auto (1/60 (1/50) to 1/500000), fixed, flickerless, default
Sensitivity up	Off, automatic continuous up to 10x
Auto Black	On, off selectable
Range	32x dynamic range enhancement
Dynamic Noise Reduction	Auto, off selectable
Contour	Sharpness enhancement level selectable
BLC	Off, area and level selectable
Gain	Auto (maximum level selectable to 28 dB) or fixed level selectable
White Balance	ATW (2500–10000 K), AWB hold, manual WB selectable
VMD	4 area, sensitivity selectable
Alarm Output	VMD or Bilinx
Alarm Input (TTL)	Profile switching, +5 V nominal, +40 VDC max.
Alarm Output Relay	Max. 30 VAC or +40 VDC, max. 0.5 A continuous, 10 VA
External SynchronallInput	75 Ohm or High Impedance selectable
Cable Compensation	Up to 1000 m (3000 ft) coax without external amplifiers (automatic set-up in combination with coaxial communication)

Camera ID	16 character editable string, position selectable
Lens Types	Manual, DC- and Video-iris auto-detect with override DC-iris drive: max. 50 mA continuous Video-iris: 11.5 ± 0.5 VDC, max. 50 mA continuous
Remote Control	Bi-directional coaxial communication

1) F1.2, 89% reflection, SensUp Off

Mechanical

Dimensions (H x W x L)	59 x 67 x 122 mm (2.28 x 2.6 x 4.8 in.) without lens
Weight	450 g (0.99 lbs) without lens
Tripod Mount	Bottom (isolated) and top 1/4-in. 20 UNC
Lens Mount	Cand CS
Controls	OSD with softkey operation

Environmental

Operating Temperature	-20 °C to +50 °C (-4 °F to +122 °F)
Storage Temperature	-25 °C to +70 °C (-13 °F to +158 °F)
Operating Humidity	20% to 93% Relative humidity
Storage Humidity	Up to 98% Relative humidity

Ordering information

LTC 0485/11 DinionXF Color Camera

1/3-inch, high performance, 540 TVL, PAL, DSP, 12 – 28 VAC/11 – 36 VDC, 50 Hz
Order number **LTC0485/11**

LTC 0485/21 DinionXF Color Camera

1/3-inch, high performance, 540 TVL, NTSC, DSP, 12 – 28 VAC/11 – 36VDC, 60 Hz
Order number **LTC0485/21**

LTC 0485/51 DinionXF Color Camera

1/3-inch, high performance, 540 TVL, PAL, DSP, 85 – 268 VAC, 50 Hz
Order number **LTC0485/51**

LTC 0485/61 DinionXFCOLOR Camera

1/3-inch, high performance, 540 TVL, NTSC, DSP, 85 – 265 VAC, 60 Hz
Order number **LTC0485/61**

Accessories

LTC 3364/21 Varifocal Lens IR corrected

1/3-inch, 2.8 – 6 mm, DC-iris, CS-mount F1.4-200, 4-pin
Order number **LTC3364/21**

LTC 3364/31 Varifocal Lens

1/3-inch, 3.5 – 8 mm, DC-iris, CS-mount F/1.4-200, 4-pin
Order number **LTC3364/31**

LTC 3384/21 Zoom Lens

1/3-inch, 6 – 60 mm, DC-iris, CS-mount F1.4-360, 4-pin
Order number **LTC3384/21**

TC120PS Power Supply Unit

Order number **TC120PS**

TC220PS Power Supply Unit

Order number **TC220PS**

TC220PSX-24 Power Supply Unit

Order number **TC220PSX-24**

TC1334 Power Supply Unit

Order number **TC1334**

Software Options

VP-CFGSFT Configuration Software

for cameras using Bilinx, includes VP-USB Adaptor
Order number **VP-CFGSFT**

Represented by:

Americas:

Bosch Security Systems, Inc.
130 Perinton Parkway
Fairport, New York, 14450, USA
Phone: +1 800 289 0096
Fax: +1 585 223 9180
security.sales@us.bosch.com
www.boschsecurity.us

Europe, Middle East, Africa:

Bosch Security Systems B.V.
P.O. Box 80002
5617 BA Eindhoven, The Netherlands
Phone: + 31 40 2577 284
Fax: +31 40 2577 330
emea.securitysystems@bosch.com
www.boschsecurity.com

Asia-Pacific:

Robert Bosch (SEA) Pte Ltd, Security
Systems
11 Bishan Street 21
Singapore 573943
Phone: +65 6571 2808
Fax: +65 6571 2699
apr.securitysystems@bosch.com
www.boschsecurity.asia

China:

Bosch (Shanghai) Security Systems Ltd.
201 Building, No. 333 Fuquan Road
North IBP
Changning District, Shanghai
200335 China
Phone +86 21 22181111
Fax: +86 21 22182398
www.boschsecurity.com.cn

America Latina:

Robert Bosch Ltda Security Systems Division
Via Anhanguera, Km 98
CEP 13065-900
Campinas, Sao Paulo, Brazil
Phone: +55 19 2103 2860
Fax: +55 19 2103 2862
latam.boschsecurity@bosch.com
www.boschsecurity.com