

QTERM®-G55

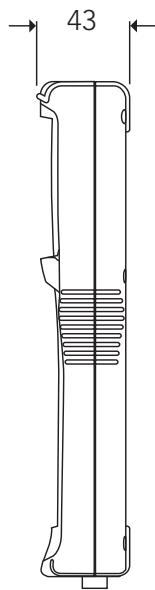
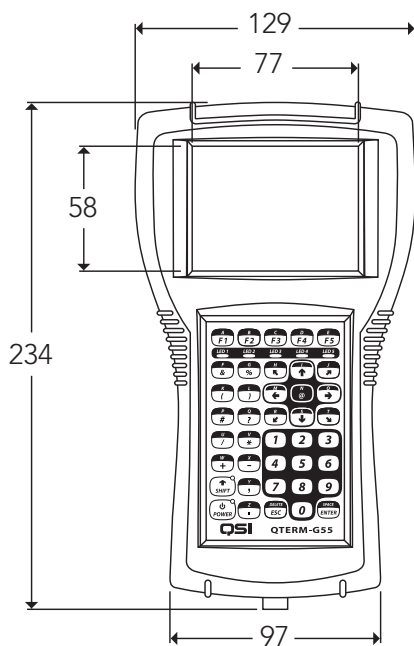
3.8" Grayscale Handheld or Panel-mount HMI

QSI The QTERM-G55 is a rugged, handheld or panel-mount human machine interface terminal with a transreflective grayscale LCD display and Qlarity® object-based programming language for easy application design.

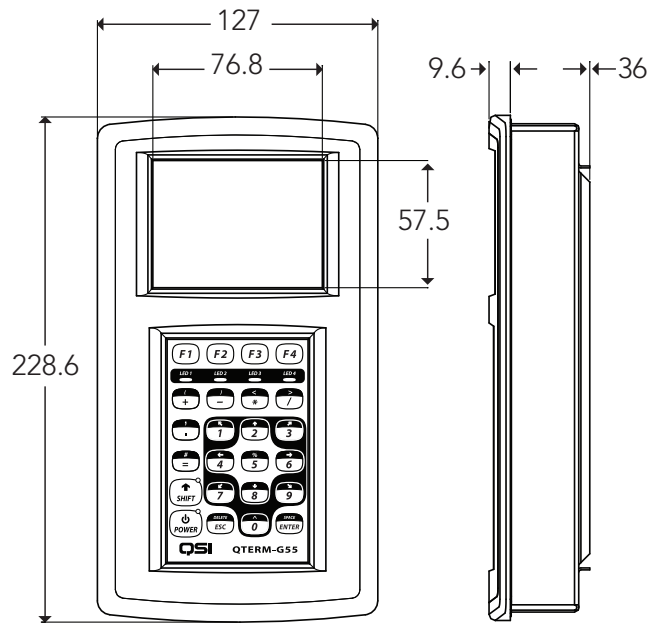


Product Highlights

- ▶ 320 x 240 pixel QVGA, 3.8" (96 mm) diagonal, LED lighted, transreflective FSTN grayscale LCD display
- ▶ Optional 10/100Base-T Ethernet
- ▶ Handheld or panel-mount enclosure
- ▶ NEMA-4 or -12 depending upon configuration
- ▶ Qlarity object-based programming language



Handheld



Panel-mount

Dimensions shown in mm.

QTERM-G55 Specifications

Feature	Detail	Description	
Display	Type	320 x 240 QVGA, transfective FSTN grayscale LCD	
	Size	3.8" (96 mm) diagonal	
	Lighting	LED	
	Brightness	Software-controllable, temperature-compensated	
Keypad	Number of Keys	24-key standard, 40-key optional	
	Construction	Steel snap domes in membrane	
	Options	Electroluminescent lighting, prototype and custom legends available	
Interface	Ethernet (optional)	10/100Base-T	
	Serial	EIA-232; optional EIA-232/422/485 DB9f	
	Connectors	Handheld	12-pin round (Hirose HR30-8R-12SC) Integral cable with DB15f (optional)
		Panel-mount	DB9f (primary and secondary) 8-pin modular (RJ45) with Ethernet or Power-over-Ethernet
Processor	Type	ARM720T	
Memory	RAM	16 MB	
	Flash	2 MB	
Audio	Speaker	Software programmable pitch and duration	
	Audio Decoder (optional)	Decodes .wav audio files	
Power	Input	8 to 32 VDC or 5 VDC - 210 mA @ 12 VDC	
	Other	Power-over-Ethernet (IEEE 802.3af) optional	
Mechanical	Type	Handheld or Panel-mount	
	Size	Handheld: 129(W) x 234(H) x 43(D) mm; Panel-mount: 127(W) x 228.6(H) x 95.6(D) mm	
	Mass	Handheld: 520 g; Panel-mount: 700 g	
	Housing Material	ABS polycarbonate with rubber overmold	
	Colors	Available in gray, black or blue	

Environmental	Sealing	Handheld: NEMA-12; Panel-mount: NEMA-4 (Handheld optional); IP65
	Temperature	Operating: -20 to 60 °C; Storage: -40 to 85 °C
	Humidity	0 to 95%, non-condensing
	Vibration	4 g 5-2000 Hz
	Shock	20 g, 6 ms, any axis
	Drop	1 m onto concrete (Handheld)
Certifications	CE	EN60950-1:2001, EN55022:1998, and EN55024:1998
	EMC	FCC Part 15, Subpart B, ICES-003

Software	Operating System	Qlarity® - Object-based programming language
	Development Environments	Qlarity Foundry®



US Office

Beijer Electronics, Inc.
2212 South West Temple #50
Salt Lake City, Utah 84115-2648 USA

www.BeijerElectronicsInc.com / 801-466-8770

Headquarters

Beijer Electronics Products AB
P.O. Box 426
201 24 Malmö, Sweden

www.BeijerElectronics.com / +46 40 35 86 00

M01-015-00 REV 04
19 MAY 2011

Copyright © 2011 Beijer Electronics. All rights reserved.

The information at hand is provided as available at the time of printing. Beijer Electronics reserves the right to change any information without updating this publication. Beijer Electronics does not assume any responsibility for any errors or omissions in this publication.