

ACCU-SORT®

Model 11



"Smart" raster pattern — Automatically tailors the pattern to the height of the PDF417 symbol guaranteeing even the novice user can scan quickly and accurately

Rugged, IP 54 housing with multiple mounting options, integrated beeper, LEDs, decoder and a variety of interfaces — Plug-and-play installation speeds time to market

640 scans per second on 1D and 2D bar codes — Ensures fast, reliable data on all 1D and 2D codes for maximum productivity

Automatic, software controlled or manual triggering — Offers flexible control of unattended or hands-free applications

Easy to program simple serial interface and optional Software Developer's Kit (SDK) — Provides fast, simple interface communication with advanced features and enables creation of applications using Windows® 98, 2000, and XP

Versatility with adaptive scan patterns: 1D linear and PDF raster — Allows for customized applications

Photo captions: (TOP LEFT) Model 11 Reader, (TOP) Model 11 reading package on conveyor.



High Performance, Fixed-Mount Scanning Made Simple

The Model 11 is a compact, affordable industrial fixed-mount scanner that provides fast, aggressive performance on a full range of linear and 2D symbologies including PDF417, RSS and composite codes. Available in two versions, standard and VHD (to read very high-density bar codes), the Model 11 offers a "smart" raster pattern optimized to read 2D symbols and poorly printed linear bar codes, making this reader ideal for use in a variety of automated data collection devices.

Applications

Fixed-mount or industrial stand-alone

- Manufacturing and warehousing
- Assembly lines
- Conveyor belts
- Security and ID verification
- Library and document tracking
- Backroom receiving
- Driver licenses and DMV

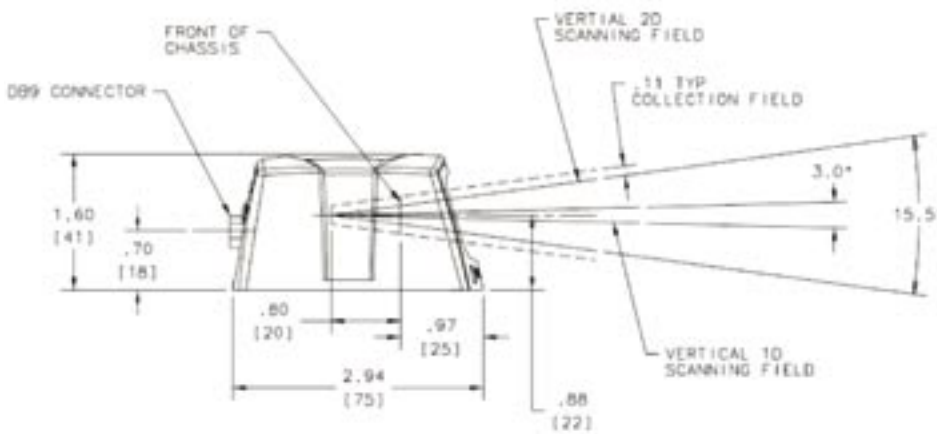
OEM

- Interactive kiosks and ATMs
- Healthcare and medical equipment
- Clinical diagnostic devices
- Security and ID verification
- Robotic equipment
- Turnstiles/access control
- Gas pumps
- Data storage systems
- Gaming and lottery terminals
- Vending machines

Plug-and-Play Intallation Speeds Time to Market

The Model 11 bar code readers are easy to program and configure, enabling you to shorten your development time and bring your product to market faster—even if you don't have in-house technical resources for scanner integration. With its rugged durable housing, exit window, integrated beeper and interface options, the Model 11 enables your project team to quickly and confidently integrate high performance 1D and 2D bar code data capture into standalone and OEM applications.

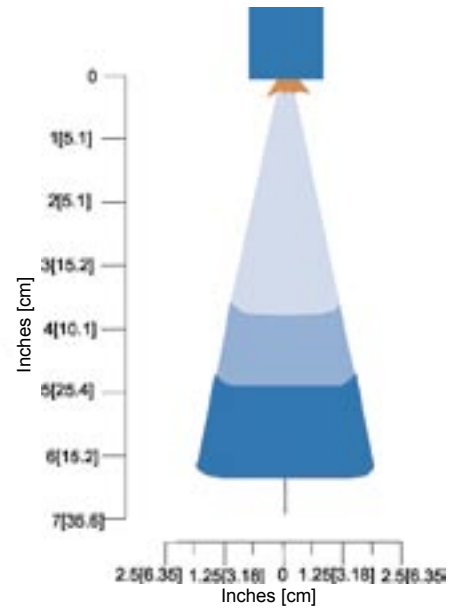
Model 11



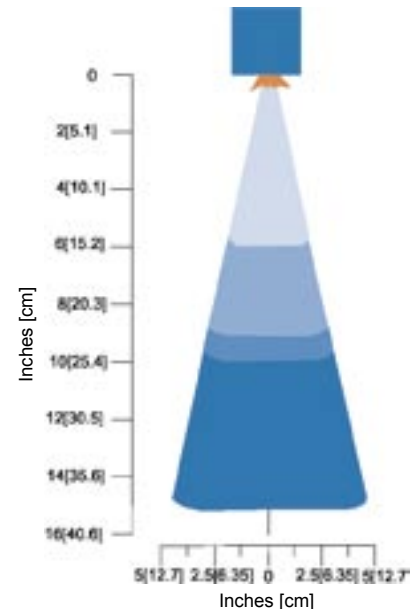
Specifications

Characteristic	Description
Name/Part Number	Bar Code Reader, Model 11 (1000055775)
Scan Rate	640 scans per second
Depth of Field	See read charts
Communication	Serial RS-232, TTL
Bar Code Types	All standard linear symbologies 2D: PDF417, MicroPDF, RSS and Composite codes
Temperature	Operating: -4° to 122° F [-20° to 50° C] Storage: -40° to 158° F [-40° to 70° C]
Relative Humidity	10% - 95% non-condensing
Laser Type	Visible laser diode 650 nm (standard)
Power Supply	Input Voltage: 5.0 VDC +/- 10% Scanning Current: 250 mA typical Standby Current: 25 mA typical Vcc Noise level: 200 mVp to p max
Weight	4.73 oz [134 g]
Size	L 2.94" [7.47 cm] x W 2.28" [5.79 cm] x H 1.60" [4.06 cm]
Housing	IP 54
Warranty	1-year limited, parts and labor
Service Options	Installation assistance and on-site training
Laser Classification	CDRH Class II, IEC Class 2

Model 11 2D Decode Zone



Model 11 VHD 2D Decode Zone



Accu-Sort reserves the right to change specifications without notice.



For more information about auto-ID and material handling solutions from Accu-Sort Systems, contact us at:

ACCUSORT® SYSTEMS, inc
511 School House Road
Telford, PA 18969
1-800-BAR-CODE™

info@accusort.com
www.accusort.com



©2003-2005 Accu-Sort Systems, inc. All rights reserved. The AS logotype, ACCU-SORT, and 1-800-BAR-CODE are trademarks or registered trademarks of Accu-Sort Systems, inc.

