

# ACCU-SORT®

# AXIOM™ Laser Bar Code Reader



## EtherNet/IP™ conformance tested

### Modular Scan Head and Wiring Base:

- Simplifies installation
- Reduces repair/replacement downtime

### Parameter Storage Modules:

- Simplifies replacement, no need to remember operating parameters
- Store parameters in scan head and base

### Flexible Connectivity:

- EtherNet/IP, Ethernet TCP/IP standard
- Serial and I/O standard

### Scanning Over 1, 2, or 4 Read Zones:

- No focusing required, no dead zones
- Maximum depth of field

### Up to 1400 Scans per Second:

- Ensures the highest possible read rates on good and poor quality codes

### AXCESS™ Software:

- Powerful and intuitive interface

## "No maintenance" laser scanning technology from the leader in bar code scanning

The AXIOM™ bar code readers are designed with industrial and manufacturing applications in mind. Housed in a rugged IP65-rated enclosure, the reliable AXIOM offers high-speed scanning up to 1,400 scans per second. The AXIOM 1L (one-laser version) is designed for use in manufacturing applications with a fixed depth of field and shorter read distances. Where product size and/or positioning varies significantly, the AXIOM 2L and 4L (2 and 4-laser versions) provide accurate bar code reading at distances up to 72 inches.

All AXIOMs require a universal wiring base and plug-in scan head. The scan head is available in a high-density version for high-speed scanning in fast moving applications.

## Sophisticated technology that's easy to use

Although technologically advanced, AXIOM is designed for easy setup and operation. AXCESS™ setup software provides a familiar user interface, enabling you to configure readers without the need for onsite service. Simply connect to AXIOM via setup cable or on-board Ethernet connection. Specify valid bar codes, groups, and patterns. Define your I/O—including built-in trigger and tach signals and up to four solid state relays. When complete, download your application settings to the reader and you're ready to go.

Built-in Parameter Storage Modules store the AXIOM operating parameters in both the scan head and wiring base. In the event replacement ever becomes necessary, just replace the scan head, and the correct parameters are installed with the push a button.

## Flexible connectivity... including built-in EtherNet/IP

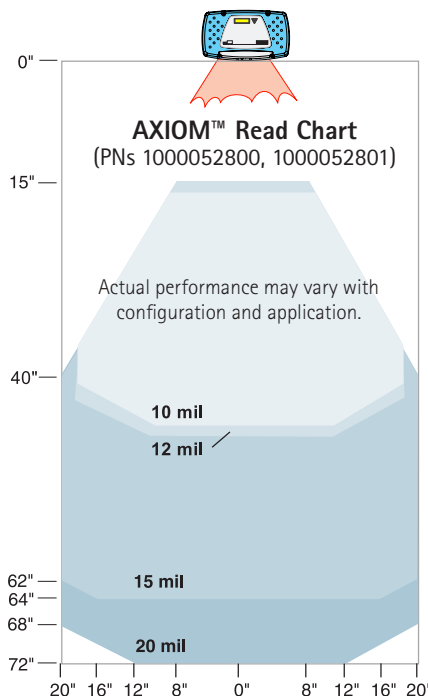
The AXIOM provides several options for bar code data transfer to your system including: UDP messaging, operation as a TCP/IP client or server, and EtherNet/IP. Use AXCESS software to configure and monitor your AXIOM readers from anywhere in your facility!

These features, along with comprehensive real-time performance monitors, make the AXIOM the leading bar code scanning solution in its class.

## AXIOM™ Bar Code Scanning Solutions

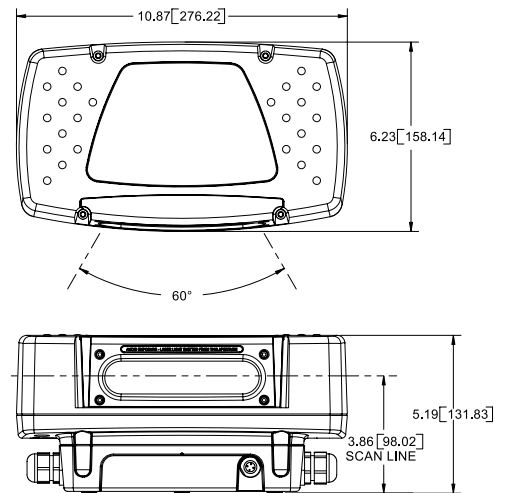
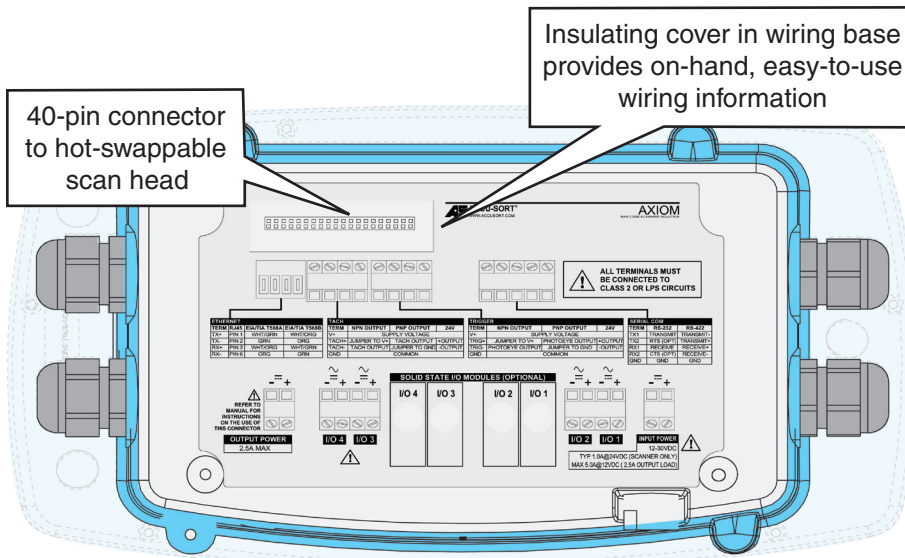
Typical AXIOM bar code scanning solutions address these industries and applications:

- Retail/wholesale distribution
- Manufacturing
- Airline baggage
- Tire manufacturing
- Parcel distribution
- Automotive
- High-speed parcel sortation
- High-speed material handling
- Pallet scanning
- Multi-sided arrays
- Package verification
- Print/label verification



**Photo captions:** (FROM TOP LEFT) AXIOM control panel, AXIOM bar code reader, modular scan head and wiring base. On reverse: AXIOM wiring base with internal wiring diagram/cover.

# AXIOM™ Laser Bar Code Reader



Characteristic	Description																																													
Name/Part Number	Laser Bar Code Reader, AXIOM™																																													
PN/Specifications	<table border="1"> <thead> <tr> <th>Desc.</th> <th>Part Number</th> <th>Min. Bar</th> <th>Depth of Field</th> <th>Scans/Second</th> </tr> </thead> <tbody> <tr> <td> 1L</td> <td>1000052807</td> <td>15 mil+</td> <td>12-24"</td> <td>1100</td> </tr> <tr> <td> 1L</td> <td>1000052809</td> <td>10 mil+</td> <td>12-18"</td> <td>1100</td> </tr> <tr> <td> 2L</td> <td>1000052802</td> <td>15 mil+</td> <td>22-58"</td> <td>550</td> </tr> <tr> <td> 2L</td> <td>1000052803</td> <td>10 mil+</td> <td>22-35"</td> <td>550</td> </tr> <tr> <td> 2L Enhanced</td> <td>1000052804</td> <td>15 mil+</td> <td>30-72"</td> <td>1100</td> </tr> <tr> <td> 2L Enhanced</td> <td>1000052805</td> <td>10 mil+</td> <td>26-42"</td> <td>1100</td> </tr> <tr> <td> 4L</td> <td>1000052800</td> <td>15 mil+</td> <td>15-72"</td> <td>550</td> </tr> <tr> <td> 4L</td> <td>1000052801</td> <td>10 mil+</td> <td>16-42"</td> <td>550</td> </tr> </tbody> </table>	Desc.	Part Number	Min. Bar	Depth of Field	Scans/Second	1L	1000052807	15 mil+	12-24"	1100	1L	1000052809	10 mil+	12-18"	1100	2L	1000052802	15 mil+	22-58"	550	2L	1000052803	10 mil+	22-35"	550	2L Enhanced	1000052804	15 mil+	30-72"	1100	2L Enhanced	1000052805	10 mil+	26-42"	1100	4L	1000052800	15 mil+	15-72"	550	4L	1000052801	10 mil+	16-42"	550
Desc.	Part Number	Min. Bar	Depth of Field	Scans/Second																																										
1L	1000052807	15 mil+	12-24"	1100																																										
1L	1000052809	10 mil+	12-18"	1100																																										
2L	1000052802	15 mil+	22-58"	550																																										
2L	1000052803	10 mil+	22-35"	550																																										
2L Enhanced	1000052804	15 mil+	30-72"	1100																																										
2L Enhanced	1000052805	10 mil+	26-42"	1100																																										
4L	1000052800	15 mil+	15-72"	550																																										
4L	1000052801	10 mil+	16-42"	550																																										
Size	L 6.23" [158 mm] x W 10.87" [276 mm] x H 5.19" [132 mm]																																													
Weight	Scan Head: 7.9 lbs [3.9 kg]    Mounting Bracket: 4.1 lbs [1.9 kg] Wiring Base: 1.8 lbs [0.8 kg]    IP65 Power Supply: 2.5 lbs [1.1 kg]																																													
Enclosure	Powder-coated cast aluminum, rated for IP65*																																													
Temperature	Operating: +32° to +122° F [0° to +50° C] Storage: -4° to +158° F [-20° to +70° C]																																													
Relative Humidity	10% - 90% non-condensing																																													
Laser Type	Visible laser diode 650 nM (standard)																																													
Power Requirement	12-30 VDC (power supplies available from Accu-Sort)																																													
Power Consumption	< 40 W																																													
Visual Indicators (LEDs)	Status, Trigger, Read, RX/TX, Network, Link; read quality (5 LEDs)																																													
Bar Code Types	All standard 1D symbologies																																													
Connectors	Dedicated setup port, optional RJ45 connector for Ethernet																																													
Communications	Standard: On-board EtherNet/IP, Ethernet TCP/IP, Serial RS232, RS422, and 4 programmable I/O relays Optional: DeviceNet, Profibus																																													
Options	X-scanning bracket (supports 2 AXIOM and power supply) Domestic/international power supplies (120-240VAC, IP40 and IP65-rated versions), heated wiring base																																													
MTBF	> 71,949 hours @ 86° F [30° C]																																													
Service Options	Installation assistance and on-site training																																													
Warranty	1-year limited, parts and labor																																													
Compliance	UL, cUL, CE, FCC (Class A), 21CFR1040, IEC-60825-1																																													

\* Actual performance may vary with configuration/application. Does not qualify for IP65 unless the IP65-rated supply is used.

**COMPLIES WITH FDA PERFORMANCE STANDARDS FOR LASER PRODUCTS EXCEPT FOR DEVIATIONS PURSUANT TO LASER NOTICE NO. 50, DATED JULY 26, 2001**



**LASER LIGHT**  
AVOID DIRECT EYE EXPOSURE  
CLASS 3R LASER PRODUCT  
(IEC-60825-1): 1993+A1: 1997+A2: 2001  
CLASS II LASER PRODUCT(21CFR1040)  
≤5.0 mW PEAK AT 630-700nm



For more information about auto-ID and material handling solutions from Accu-Sort Systems, contact us at:

**ACCUSORT® SYSTEMS, INC.**  
511 School House Road  
Telford, PA 18969  
1-800-BAR-CODE™

**info@accusort.com**  
**www.accusort.com**

© 2003-2009 Accu-Sort Systems, Inc. All rights reserved. ACCU-SORT, 1-800-BAR-CODE, AXIOM, ACCXESS, DRX and the AS logotype are trademarks or registered trademarks of Accu-Sort Systems, Inc.

Accu-Sort reserves the right to change specifications without notice.