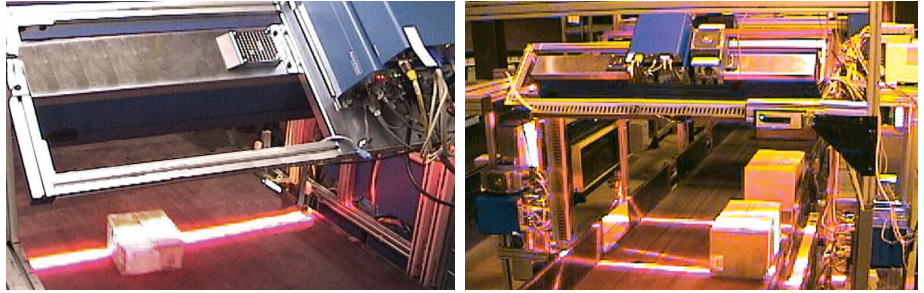


AV4000 CCD Bar Code Reader



Features and Benefits

- > **Single Box Design:** Ensures quick and easy installation by eliminating alignment issues
- > **LED Illumination:** Provides high reliability with low power consumption and reduced glare
- > **Advanced System Diagnostics:** Status is reported for all field replaceable components simplifying troubleshooting and reducing downtime
- > **One Configuration for all Applications:** Reduces application engineering efforts and spare parts costs for tunnels and other multiple camera installations
- > **Digital Zoom:** Provides increased reliability and image quality vs mechanical zoom lenses. Provides square pixels throughout depth-of-field for OCR applications

*It's elegant and easy to use,
yet powerful and reliable.
It's what your business
needs and we know it's
what you want, because it
has just what you asked for.*

Photo captions: (FROM TOP LEFT) AV4000 CCD Bar Code Reader, Package scanning with the AV4000, Camera Tunnel using the AV4000.

The Latest Camera Technology from Accu-Sort®

We've got a better solution—The AV4000 CCD Bar Code Reader from Accu-Sort. It's elegant and easy to use, yet powerful and reliable. It's what your business needs and we know it's what you want, because it has just what you asked for:

Integrated Camera, Illumination, and Decoder. The AV4000 brings these three main elements together in one package. Installation is simple and quick because the camera and illumination are firmly and permanently aligned. The entire system can be installed in less than 20 minutes. All field replaceable components, including the camera and illumination assembly, can be removed and replaced without realignment—decreasing downtime during maintenance and repair.

LED Illumination. You asked us for an uncomplicated, effective, and ergonomic alternative to high-intensity sodium illumination. The Integrated coplanar LED illumination offers you all of that and more. Accu-Sort's LED illumination ensures the same high read rate as sodium illumination without the CDRH safety concerns associated with laser illumination. And LED illumination does not suffer from illumination speckling, another major drawback of laser illumination which leads to poor image quality and reduced read rates. The low power consumption and longer useful life of LEDs ensures high reliability and low cost of ownership.

Digital Zoom Technology. The innovative use of new technology has always been a hallmark of Accu-Sort products. The AV4000 uses Accu-Sort's new, patented Digital Zoom technology. Digital Zoom functions like a very smart zoom lens, without the complexity, reliability, and repeatability problems associated with a mechanical device. Digital Zoom helps to simplify the design of the AV4000, eliminating the need for multiple configurations and reducing maintenance and spare parts costs. The combination of reliability and performance ensures high read rates and minimal downtime.

Powerful Image Processing. Accu-Sort's in-camera dimensioning (VisionCube™), side-by-side detection (VisionDetect™), real-time image capture (VisionCapture™), and video-encoding (VisionKey™) are all supported in the AV4000. The design has combined the experience gained from thousands of successful camera installations worldwide, feedback from our customers and our engineering prowess into a product solution that will ensure the highest performance at the right price. And, our worldwide service and support network is available to make sure that your system is in top shape for years to come.

Innovation. You can always rely on the engineers at Accu-Sort to provide a better solution—solutions backed by a wealth of experience, applications knowledge and customer feedback, which has been gained by designing, building, installing and servicing the largest install base of auto ID cameras in the world. The AV4000 is our newest "better solution."

Accu-Sort AV4000 CCD Bar Code Reader

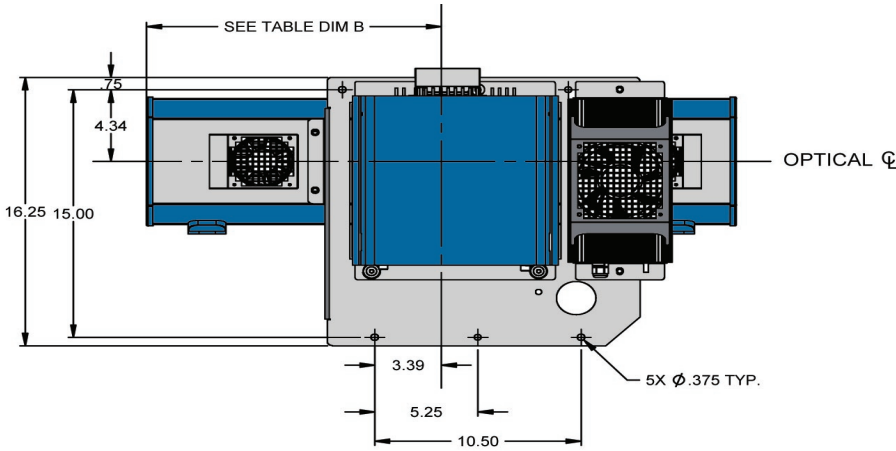
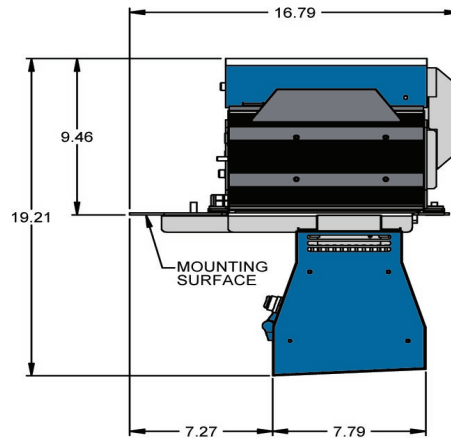
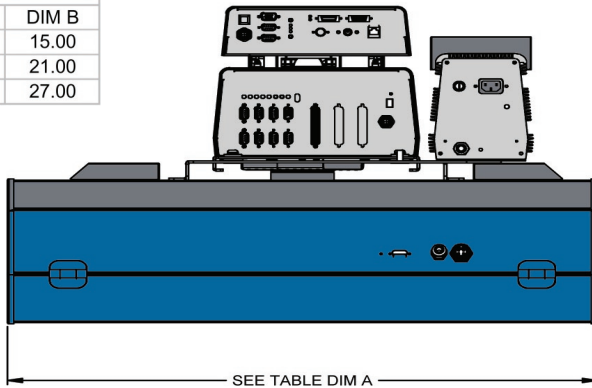


TABLE	
DIM A	DIM B
30.00	15.00
42.00	21.00
54.00	27.00



Operational Specifications

Characteristic	Description
Name/Part Number	CCD Camera with LED Illumination, AV4000, PN 1000053390
Resolution	Up to 200 DPI, square pixels
Conveyor speeds	Up to 540 FPM (2.7 m/sec)
Mounting Distance	78" (198 cm)
Depth of Field	52" (132 cm) optical depth of field; covers a 36" (91 cm) DOF for reading both 1 or 2 sides of a parcel
Field of View	48" (122 cm)
Orientation	Omnidirectional
Light Source	Integrated high intensity red LEDs (635 nM)
Decoder	Custom, PIII-based, 1.4GHz, 512MB RAM, Internal Battery Backup
Connections	Ethernet, Serial RS232, 422, 485, USB Image data via CameraLink or Serial RS644
Size	Length - 24.0" (60.1cm) x Width - 13.6" (34.5 cm) x Height - 9.5" (24.1 cm)
Weight	55 lbs
Temperature Range	50°-104°F (10°-40°C)
Relative Humidity	10-90% non-condensing
Enclosure	NEMA 12 (IP 54)
Power Input	100-240 VAC
Service options	Installation assistance, On-site training
Warranty	1-year limited, parts and labor

Accu-Sort reserves the right to change specifications without notice.

Integrated Decoder

Omnidirectional reading of all standard linear and 2D codes 8 mil and greater including:

Data Matrix	Planet Code
QR Code	RSS Code
PDF417	Code 128
Aztec Code	Code 39
Maxicode	I 2 of 5
Postnet Code	

For more information about auto-ID and material handling solutions from Accu-Sort Systems, contact us at:

ACCU-SORT® SYSTEMS, inc
511 School House Road
Telford, PA 18969
1-800-BAR-CODE™

info@accusort.com
www.accusort.com



©2003 Accu-Sort Systems, inc. All rights reserved. AS, ACCU-SORT, 1-800-BAR-CODE, and "Solutions with vision," are trademarks or registered trademarks of Accu-Sort Systems, inc.