

***Desktop
Thermal Printer
User's Manual***

2722, 2742, 3742

Eltron

User's Manual No. 980260-001

Rev. A

FOREWORD

This manual provides installation and operation information for the LP2722, TLP2722, LP2742, TLP2742 and TLP3742 series printers, manufactured by Zebra Technologies Corporation, Camarillo, California.

RETURN MATERIALS AUTHORIZATION

Before returning any equipment to Zebra for in warranty or out of warranty repair, contact Repair Administration for a Return Materials Authorization (RMA) number. Repack the equipment in the original packing material and mark the RMA number clearly on the outside. Ship the equipment, freight prepaid, to the address listed below:

Zebra Eltron Repair Administration, USA
1001 Flynn Road
Camarillo, CA. 93012
Phone: +1 (805) 579-1800
FAX: +1 (805) 579-1808

Label Printers:
Zebra Technologies, Europe
Eltron House
Molly Millars Lane
Wokingham RG41 2QZ England
Phone: +44 (0) 1189 770 300
FAX: +44 (0) 1189 895 762

Card Printers:
Zebra Technologies, Europe
Zone Industrielle, Rue d'Amsterdam
44370 Varades, France
Phone: +33 (0) 240 097 070
FAX: +33 (0) 240 834 745

COPYRIGHT NOTICE

This document contains information proprietary to Zebra Technologies Corporation. This document and the information contained within is copyrighted by Zebra Technologies Corporation and may not be duplicated in full or in part by any person without written approval from Zebra. While every effort has been made to keep the information contained within current and accurate as of the date of publication, no guarantee is given or implied that the document is error-free or that it is accurate with regard to any specification. Zebra reserves the right to make changes, for the purpose of product improvement, at any time.

TRADEMARKS

LP2722, TLP2722, LP2742, TLP2742 and TLP3742 are service marks and Eltron is a registered trademark of Zebra Technologies Corporation. Windows and MS-DOS are registered trademarks of Microsoft Corp. All other marks are trademarks or registered trademarks of their respective holders.

WARRANTY INFORMATION

We Need To Hear From You!
To Establish Your Warranty Period And Provide Access To Technical Support,
Send Us Your Product Registration Card Today!

Zebra Technologies Corporation warrants the mechanism, control electronics and power supply, under normal use and service, to be free from defects in material and workmanship for a period of twelve (12) months from the date of purchase by the end user. Zebra warrants the print head, under normal use and service, to be free from defects in material and workmanship for a period of ninety (90) days or 30KM of printing (whichever occurs first) from the date of purchase by the end user. Proof of purchase or product registration is required. If proof of purchase or product registration cannot be established, shipment date to the original buyer (dealer or distributor) will be used to establish the warranty period.

Failure to exercise caution to protect the equipment from electrostatic discharge damage, adverse temperature and humidity conditions or physical abuse may void the warranty. Failure to use only Zebra approved media may void the warranty. Zebra will, at it's option, repair or replace the equipment or any parts which are determined to be defective within this warranty period, and which are returned to Zebra F.O.B. factory of origin.

The warranty set forth above is exclusive and no other warranty, whether written or oral, is expressed or implied. Zebra specifically disclaims the implied warranties of merchantability and fitness for a particular purpose.

LP2722, TLP2722, LP2742, TLP2742 and TLP3742 Thermal Printers



European Council Directive		Compliance to Standards	
89/336/EEC	EMC Directive	EN 55022-A, CISPR 22	RF Emissions control
92/31/EE	EMC Directive	EN 500082-1 IEC 801	Immunity to Electro-magnetic Disturbances

FCC - DECLARATION OF CONFORMITY:



Models: LP2722, TLP2722, LP2742, TLP2742 and TLP3742 conform to the following specification:

FCC Part 15, Subpart B, Section 15.107(a) and Section 15.109(a) Class B digital device

Supplemental Information:

This device complies with Part 15 of the FCC Rules. Operation is subject to the following Two Conditions: (1) This device may not cause harmful interference, and (2) this device must accept any interference received, including interference that may cause undesired operation.

INDUSTRY CANADA NOTICE:

This device complies with Industry Canada ICS-003 class B requirements.

Cet équipement est conforme à l'ICS-003 classe B de la norme Industrielle Canadienne



SHOCK HAZARD WARNING:

The printer and power supply should never be operated in a location where either one can get wet. Personal injury could result.



MEDIA WARNING:

Always use high quality Zebra approved labels, tags and transfer ribbons. If adhesive backed labels are used that DO NOT lay flat on the backing liner, the exposed edges may stick to the label guides and rollers inside the printer, causing the label to peel off from the liner and jam the printer. Eltron approved supplies can be ordered from your Zebra dealer. For the name of a dealer in your area, call the nearest Zebra office (located on the back of this manual).



RELOADING HINT:

If you should run out of labels while printing, DO NOT turn the power switch OFF (0) while reloading or data loss may result. The printer will automatically resume printing when a new label roll is loaded.

TABLE OF CONTENTS

Installation and Operation

Unpacking Your Printer	2
Getting To Know Your Printer.	3
Installation	4
AutoSense	12
Using Fan-Fold Media	13
Label Dispense Option.	14
Thermal Transfer Ribbon Loading.	17

Appendix A - Troubleshooting 19

Other Support Resources	20
Printer Maintenance	21
Serial Interface Cable Wiring	22

Appendix B - Accessories 23

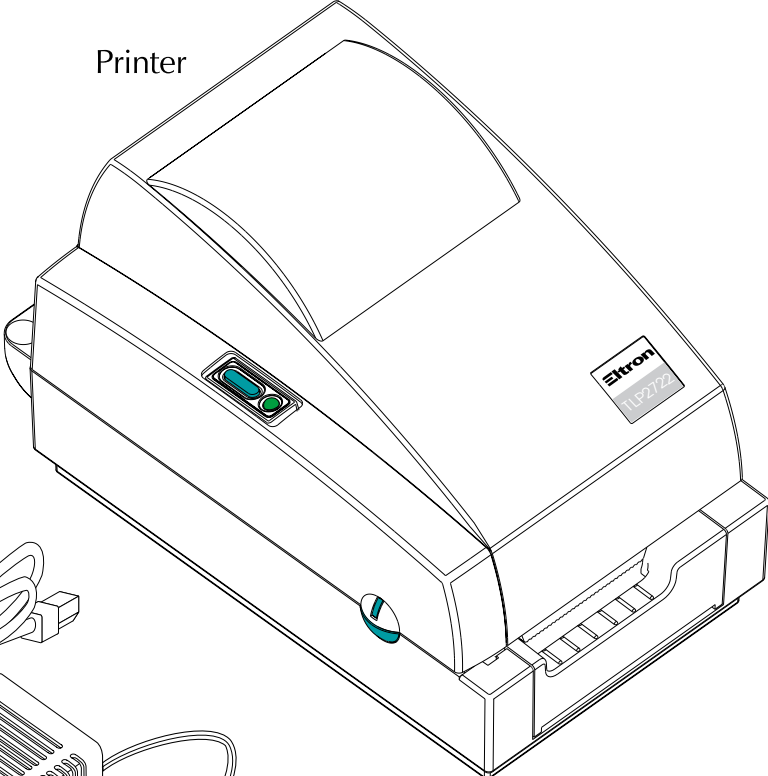
1 *Installation and Operation*

This section provides information on the installation and operation of the printer.

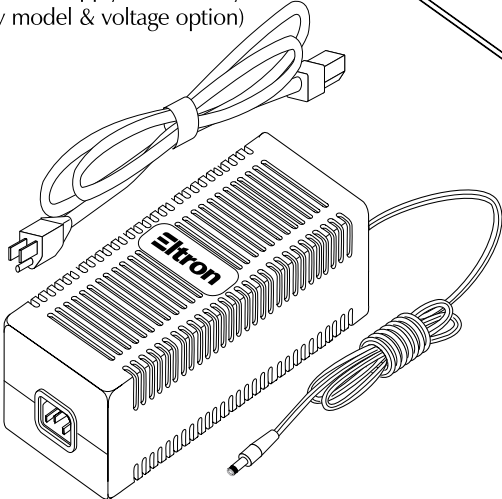
The printer is a low cost, desktop thermal bar code printer. LP models are direct thermal. TLP modes are thermal transfer and direct thermal printers. This family of printers is specifically designed for printing labels, tags or continuous receipts (with or without bar codes) from a DOS™, Windows™ or ASCII-based compatible computer.

Unpacking Your Printer

Printer



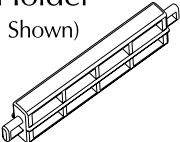
Power Supply
(Power Supply & Cord vary by model & voltage option)



Software & Documentation CD



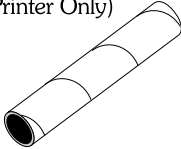
Roll Holder
(2722 Shown)



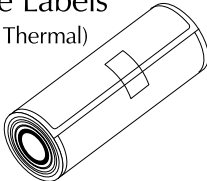
Cleaning Pen



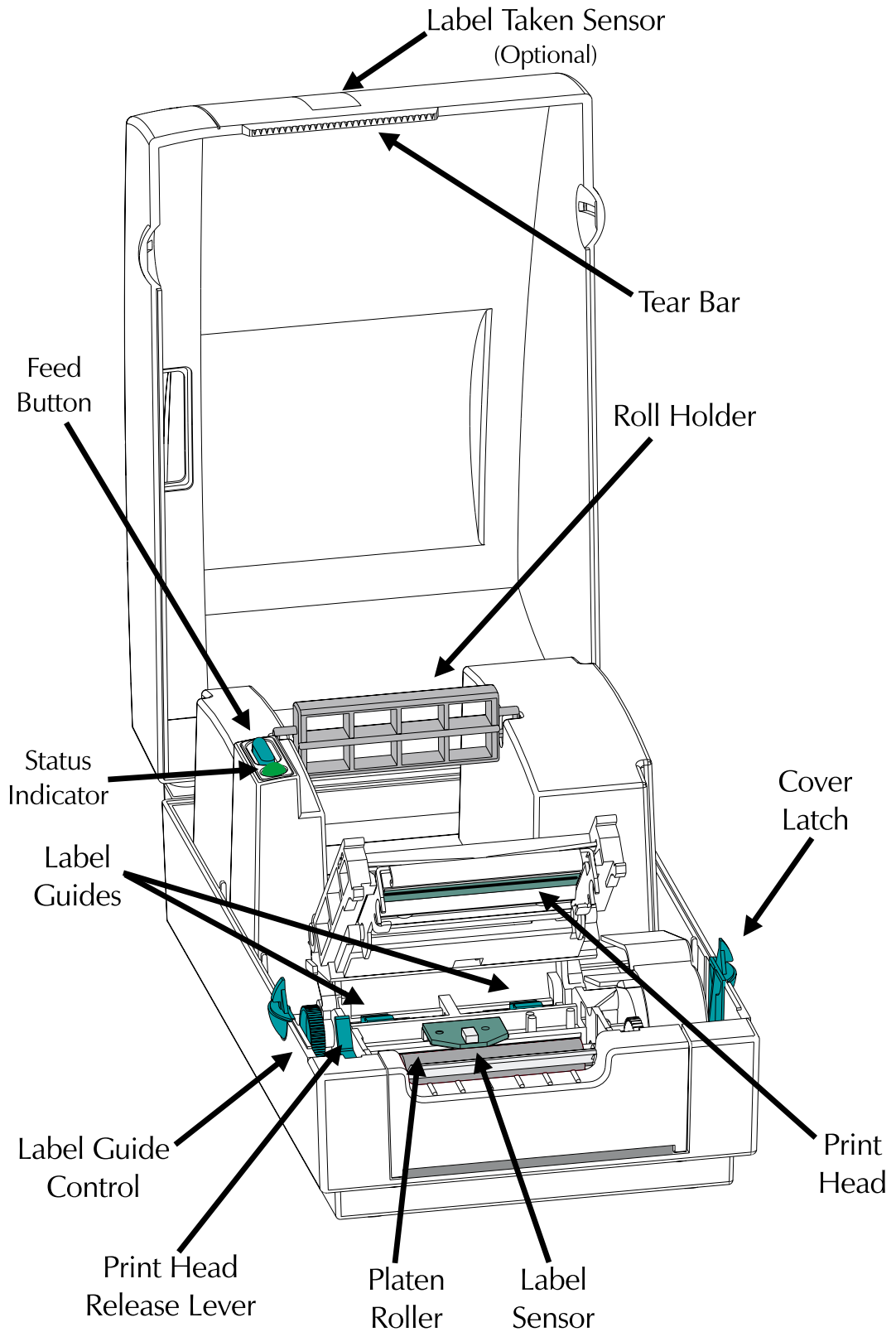
Ribbon Core
(TLP Printer Only)



Sample Labels
(Direct Thermal)



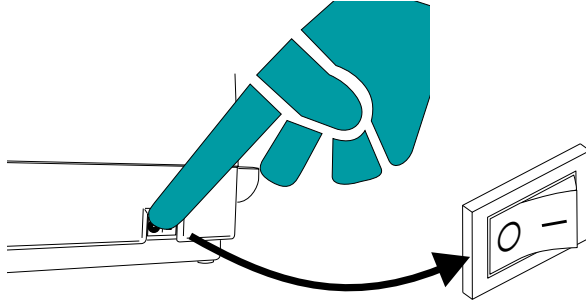
Getting To Know Your Printer



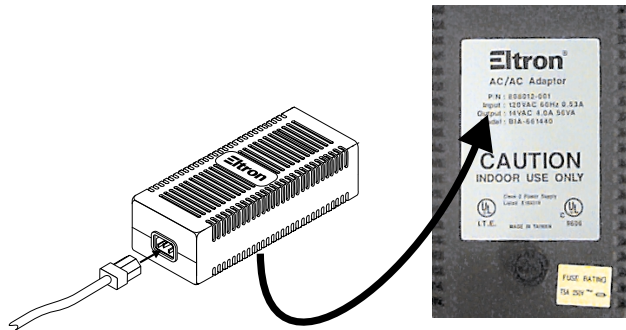
Installation The following steps will guide you through the installation of the printer, media and software.

Step 1 - Attach Power

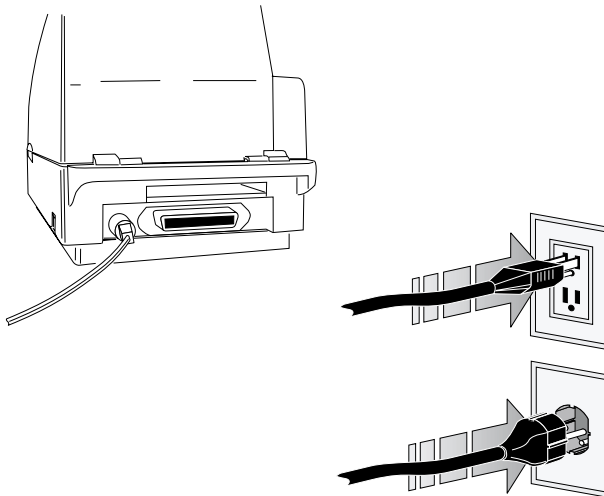
Power OFF



**Check Power
Module Voltage**



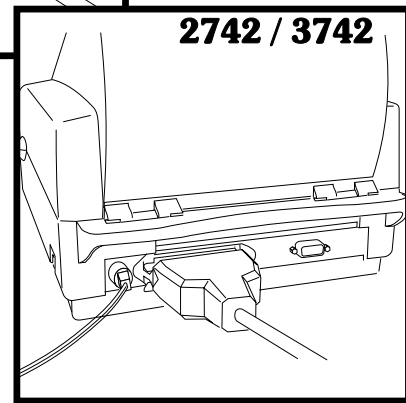
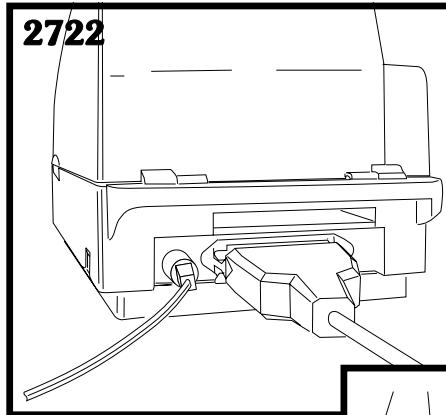
**Plug Into
Power Module**



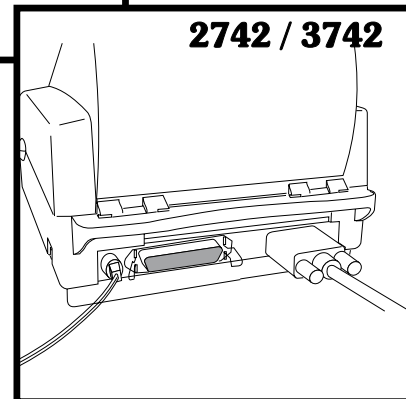
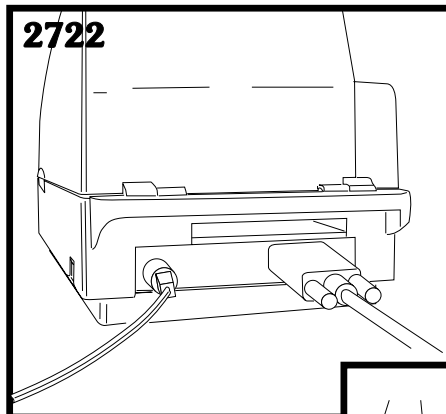
SHOCK HAZARD WARNING
See page iv

Step 2 - Attach Interface Cable

Parallel Interface



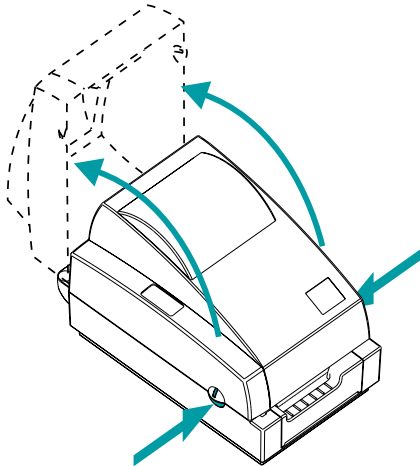
Serial Interface



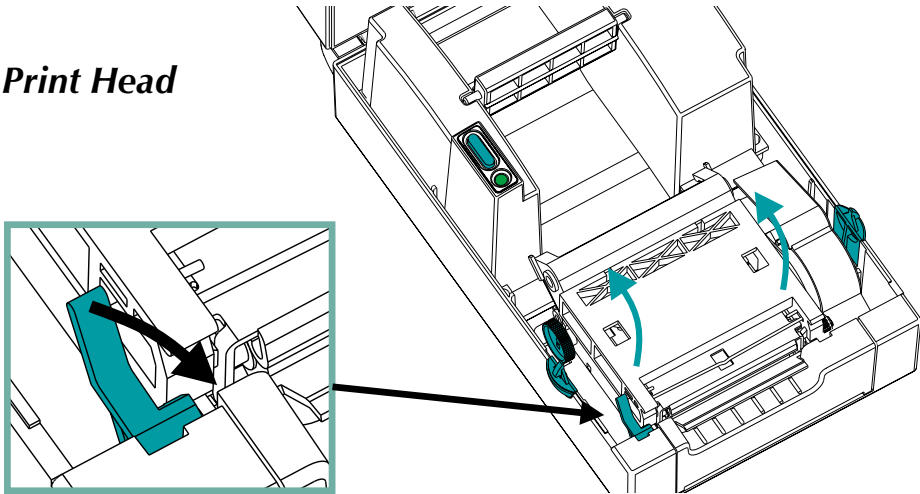
Step 3 - Load Media



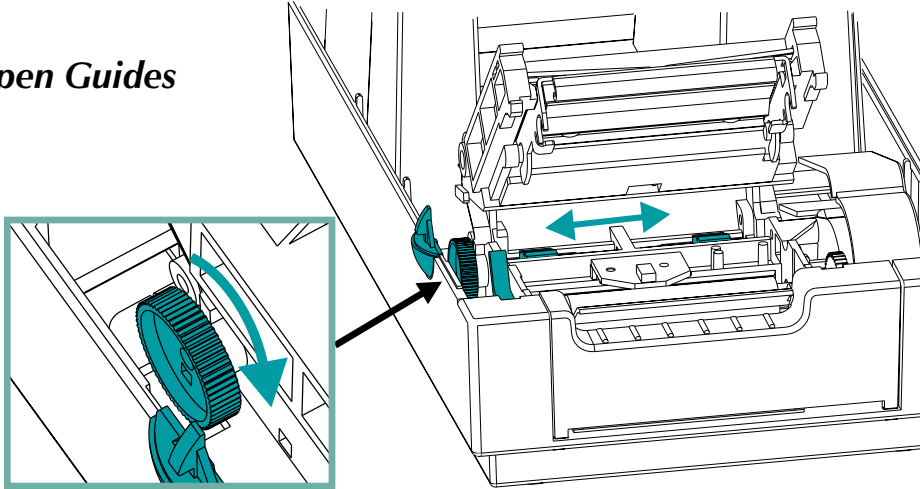
Open Cover



Open Print Head

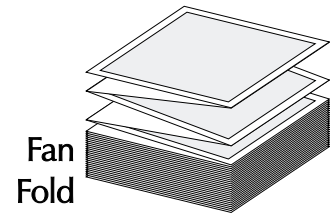
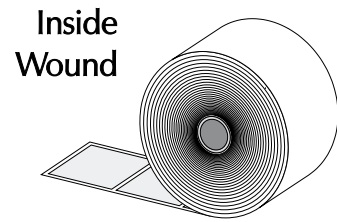
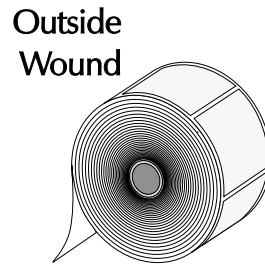


Open Guides

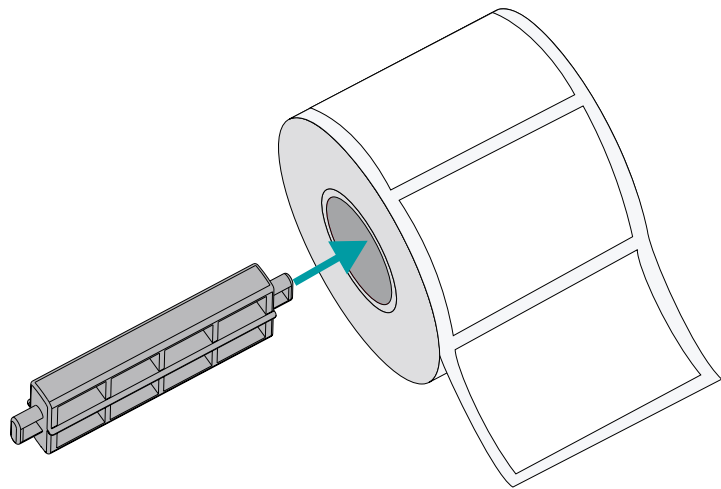


Step 3 - Load Media (cont.)

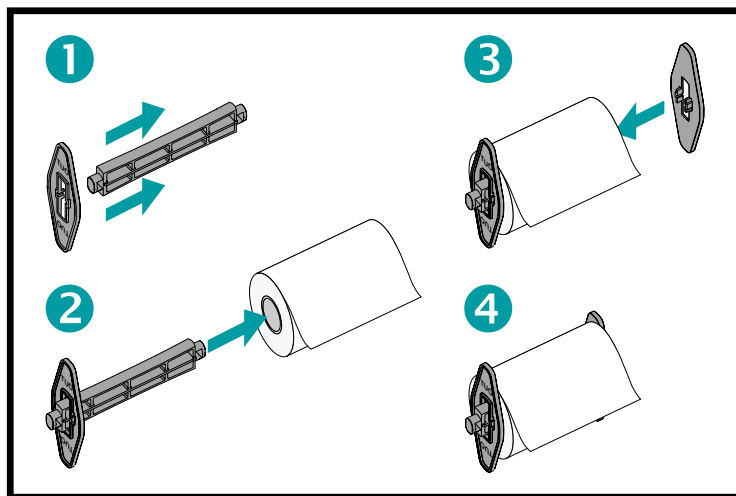
Media



**2722
Install Roll**

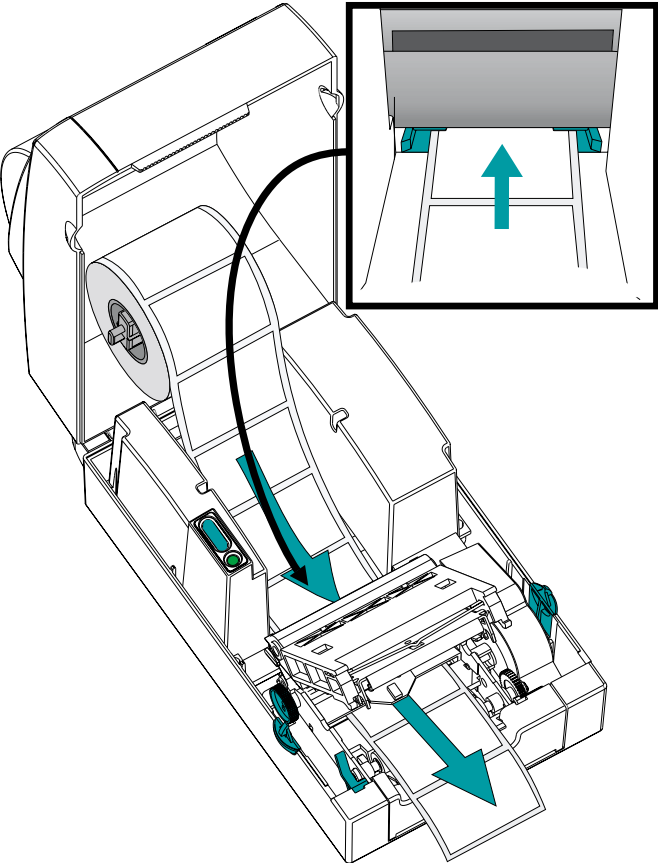


**2742 / 3742
Install Roll**

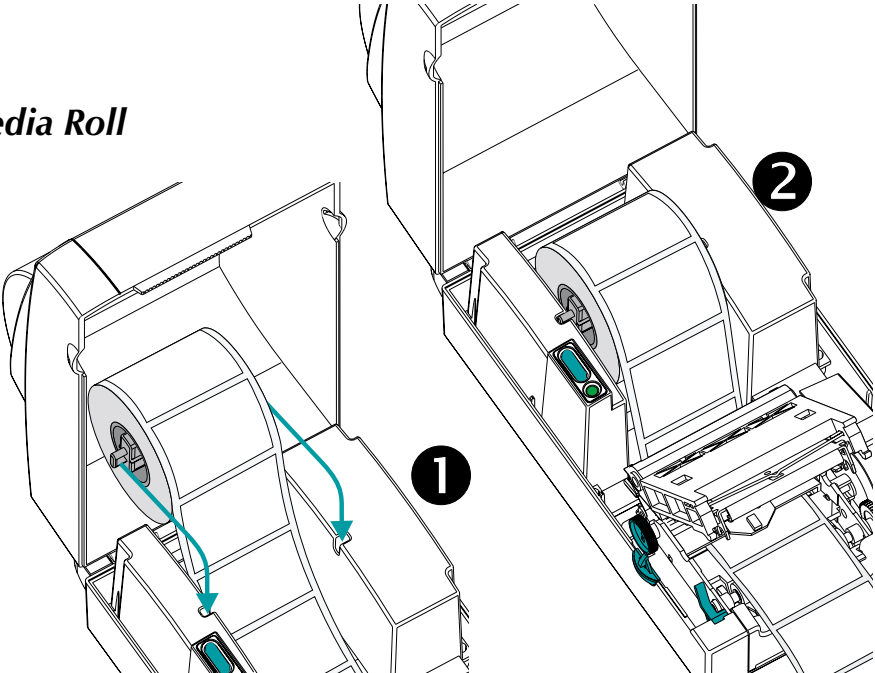


Step 3 - Load Media (cont.)

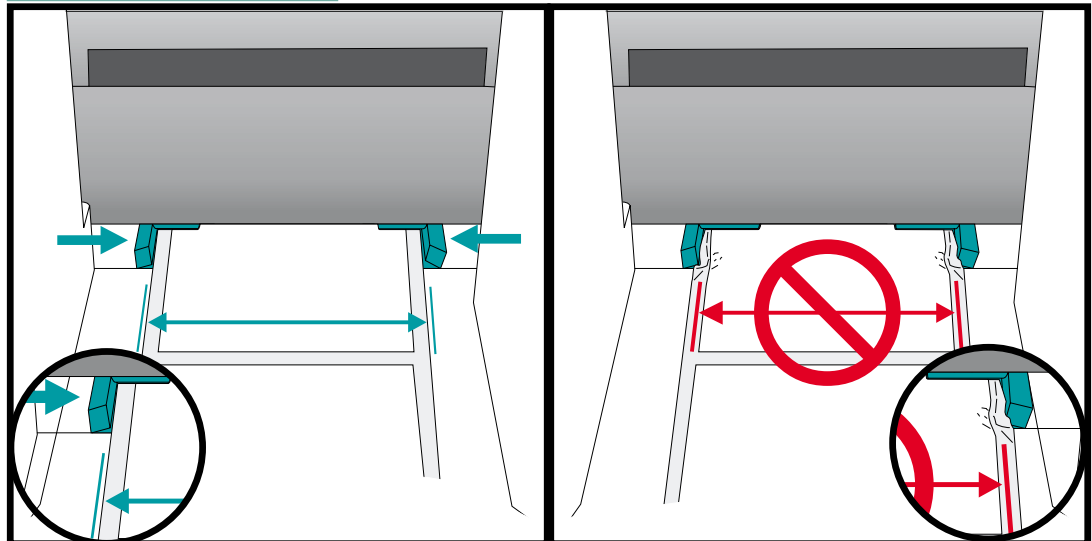
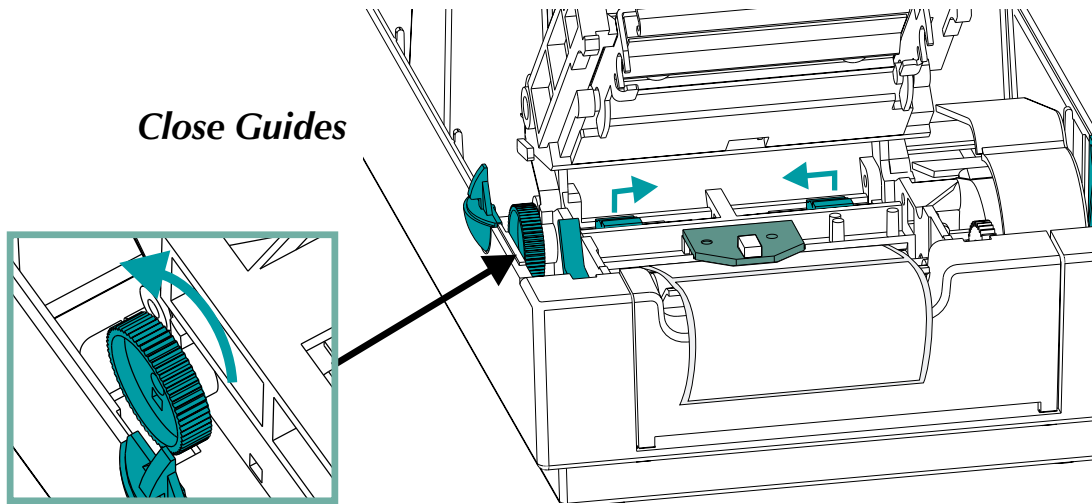
Thread the Media



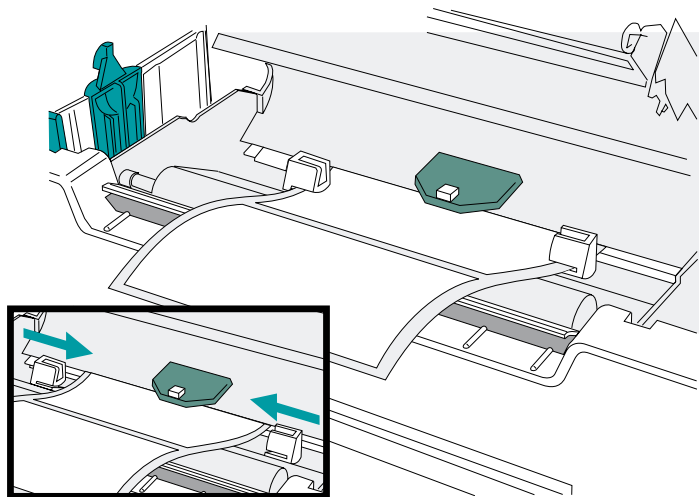
Seat Media Roll



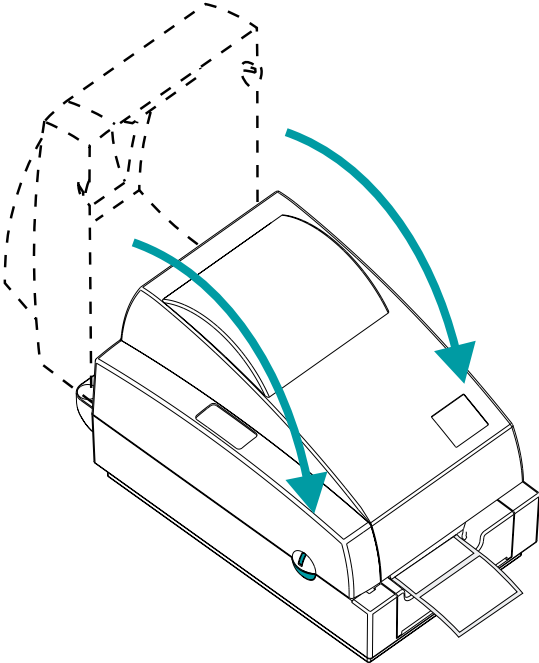
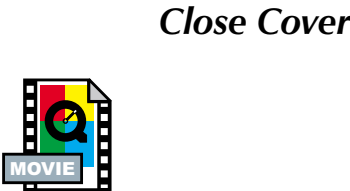
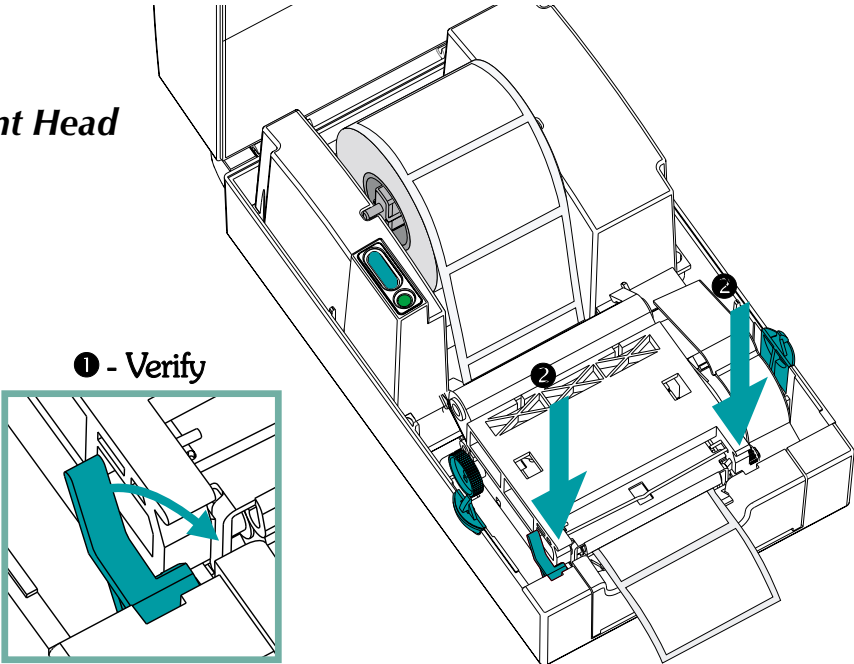
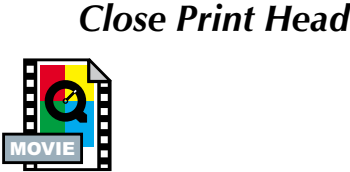
Step 3 - Load Media (cont.)



Close Guides
2742 / 3742

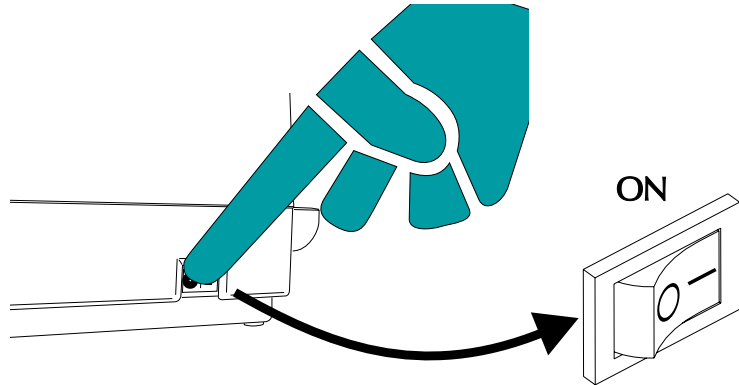


Step 3 - Load Media (cont.)



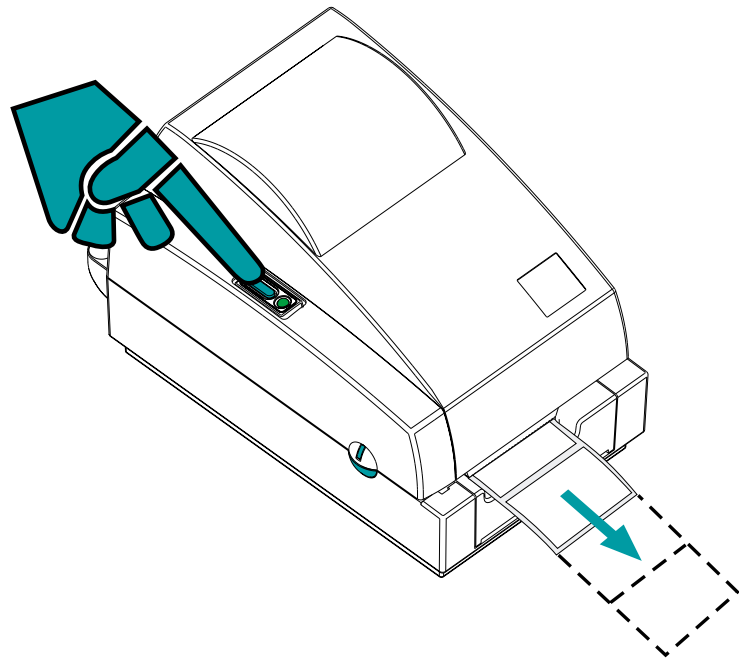
Step 3 - Load Media (cont.)

Power ON



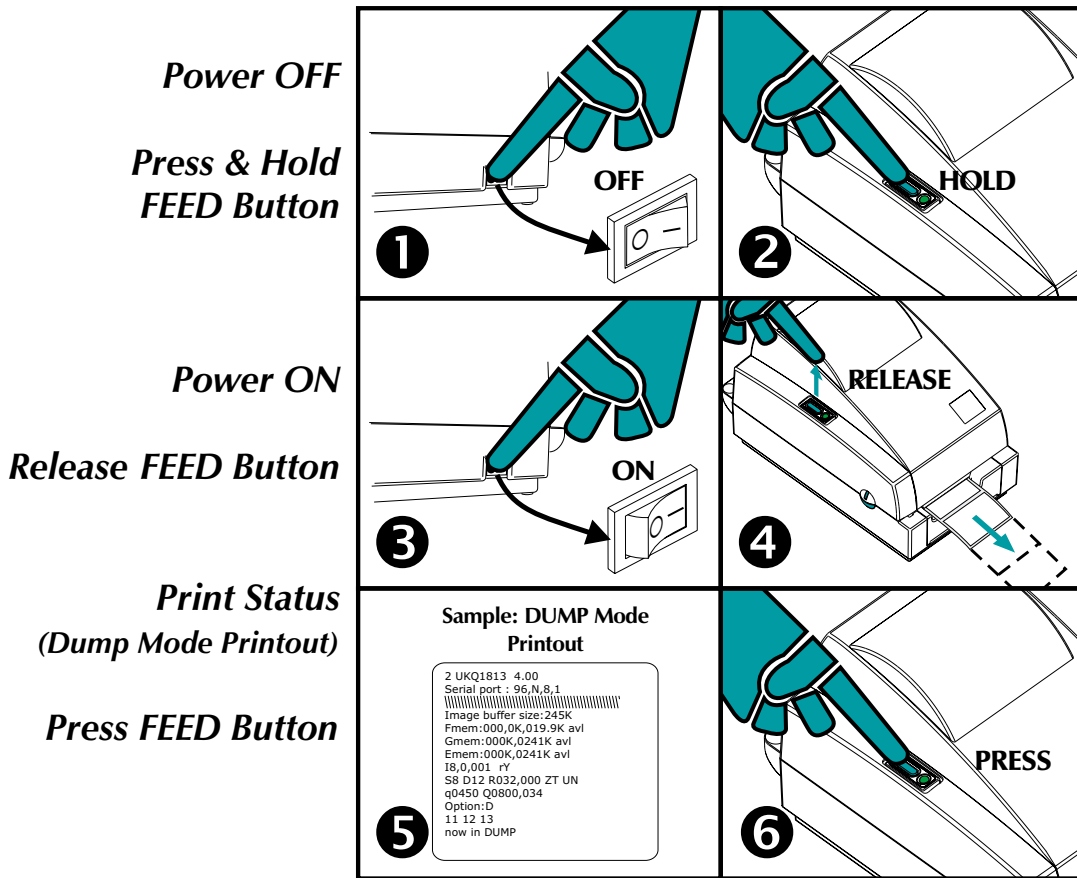
If the indicator fails to light, refer to Appendix A - Trouble Shooting.

Press FEED Button



Run the AutoSense routine.

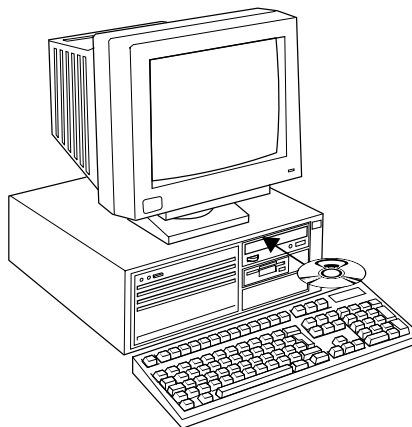
Step 4 - AutoSense



Step 5 - Install Software

Computer ON

Insert Printer CD ROM

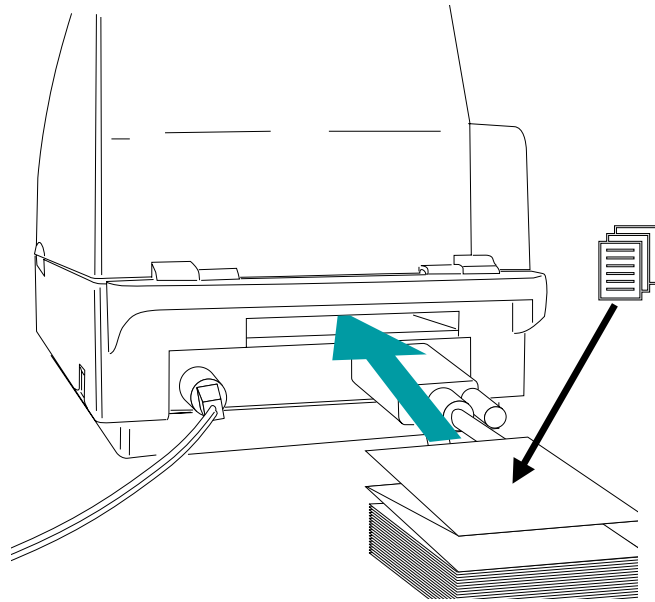


Start your computer and follow the installation instructions on the compact disc (CD).

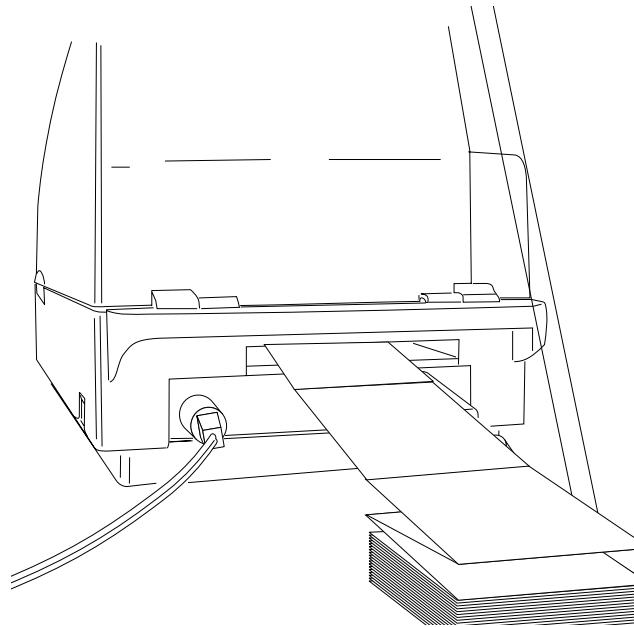
Using Fan-Fold Media

Place Media In Rear

**Face Print
Surface UP**



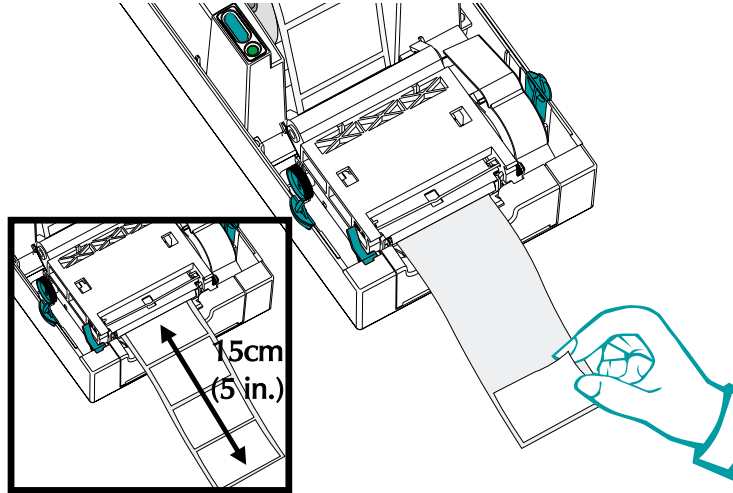
**Insert & Load
Media**



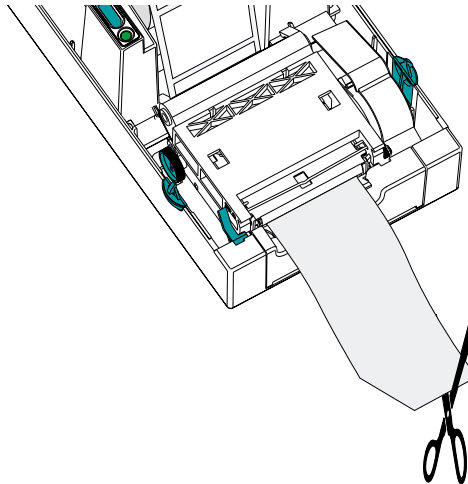
Label Dispenser Printers with an optional label taken sensor can dispense a single peeled label. Remove the label to automatically print the next label.

**Expose
15CM of Labels**
(2722 Shown)

**Peel
Exposed Labels**

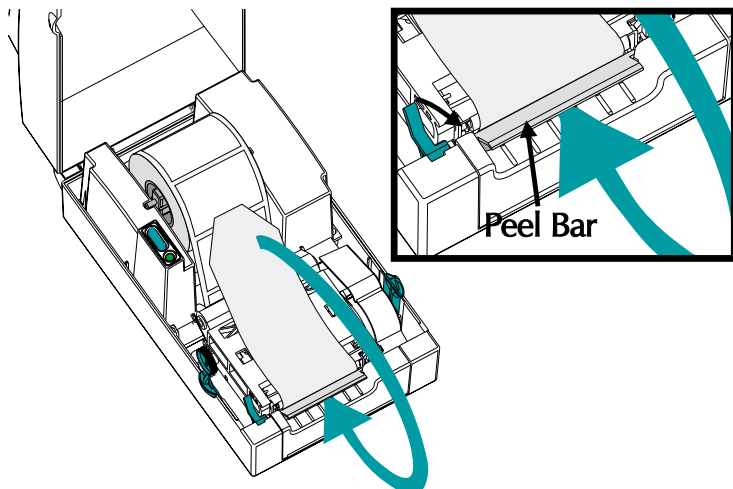


**Cut End of
Exposed Liner**
(2722 Shown)



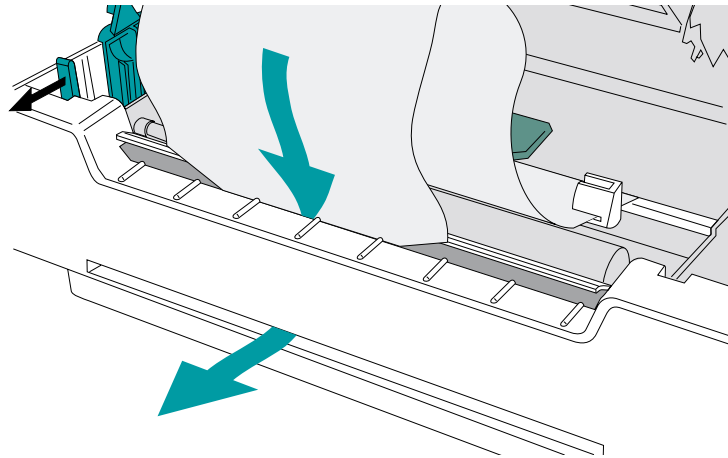
**Pull Print Head
Release Lever**
(2722 Shown)

**Insert Liner
Under Peel Bar**

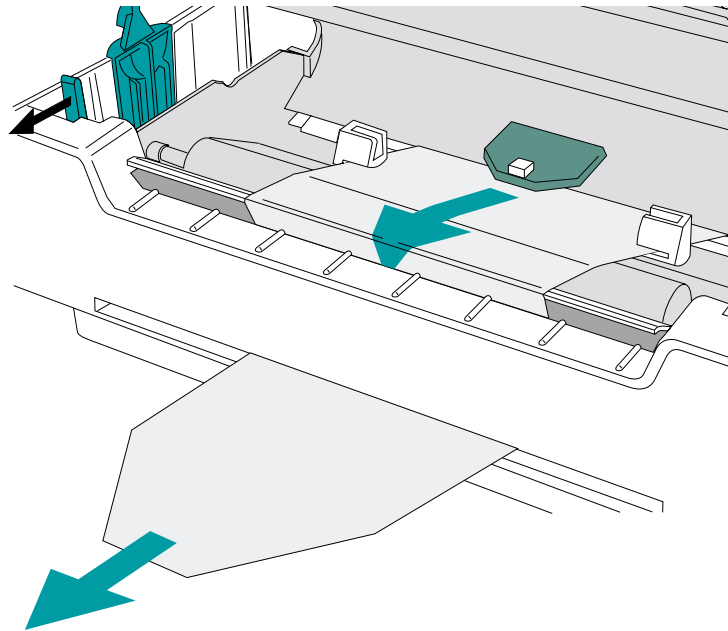


Label Dispense Option

Insert Liner
(2742 Shown)



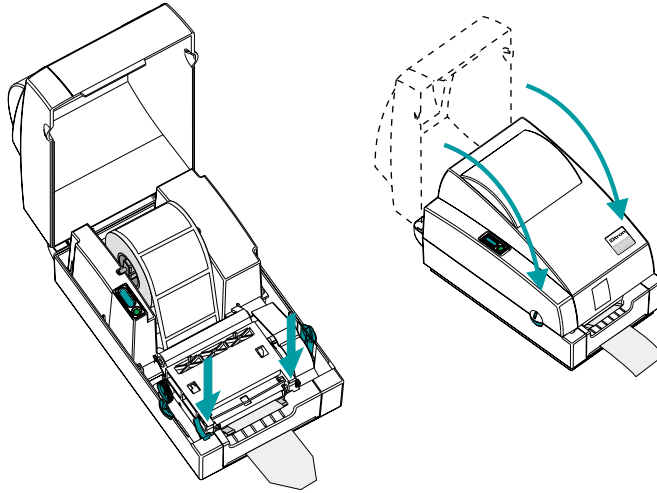
Pull Liner Through
(2742 Shown)



Label Dispense Option

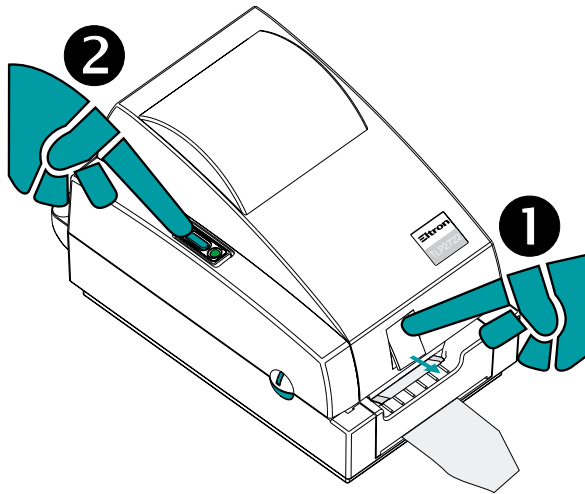
Close Print Head

Close Cover

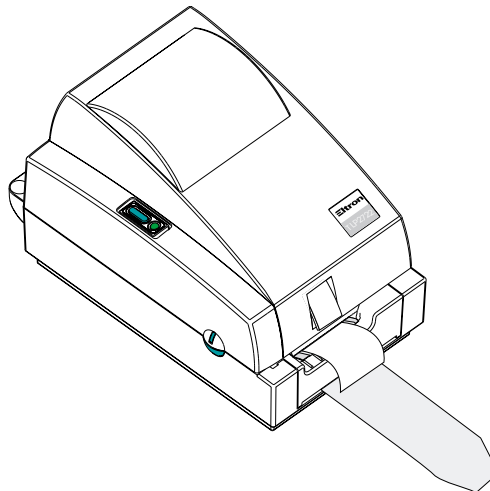


**Push to Open
Label Taken Sensor**

Press FEED Button



**Remove Presented
Label**

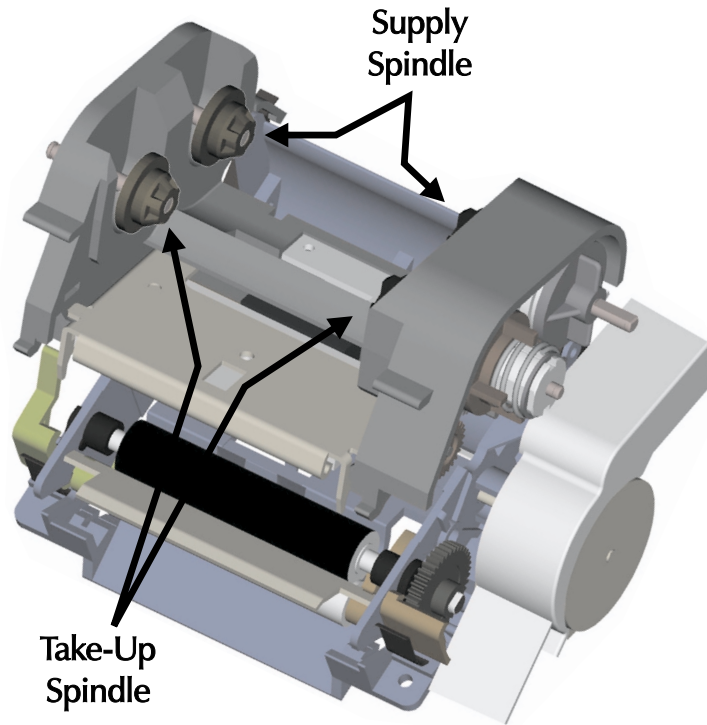


Thermal Transfer Ribbon Loading

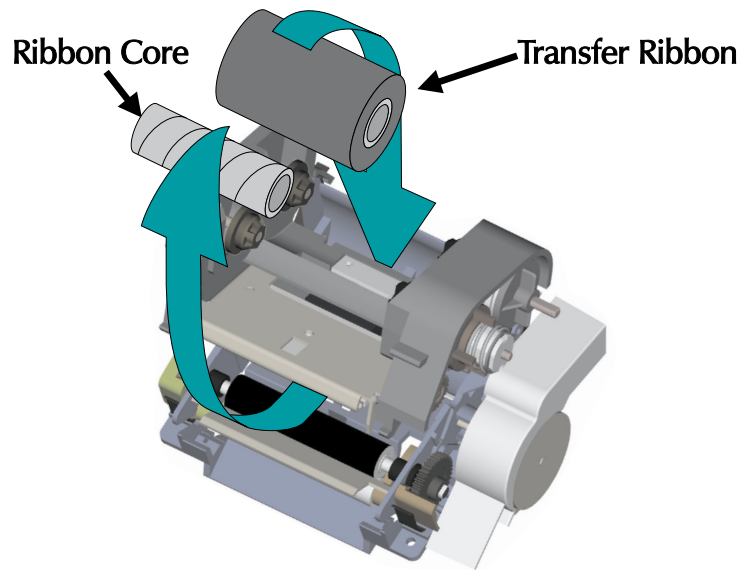


This feature is supported on TLP model printers, only.

**Thermal Transfer
Print Head
Mechanism**



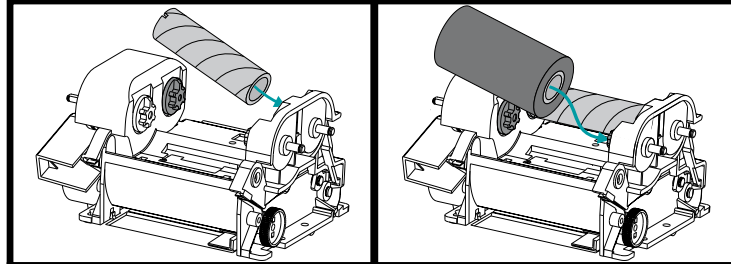
Ribbon Path



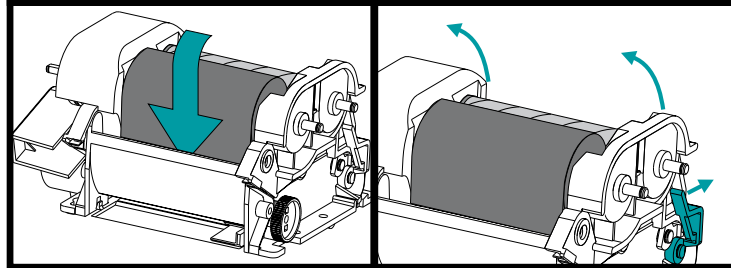
Thermal Transfer Ribbon Loading

Open Print Head

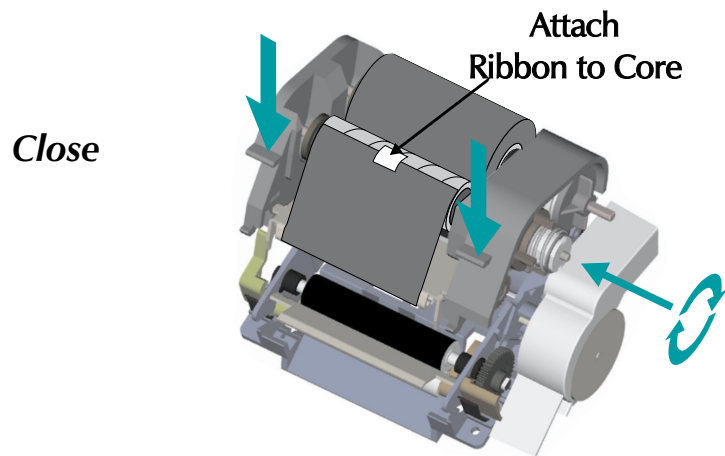
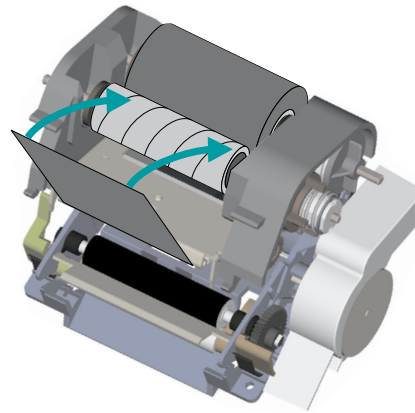
Load Ribbon Core
Load Transfer Ribbon



Start Ribbon
Open Print Head
(Rear View)



Pull Ribbon Around
Print Head



Appendix A - Troubleshooting

Problem	Solution or Reason
STATUS indicator does not light GREEN when power switch is turned to ON (1) position.	<ol style="list-style-type: none"> 1. Check power connections from A.C. outlet to power supply to printer.
STATUS indicator lights GREEN, but printer will not print.	<ol style="list-style-type: none"> 1. Check interface cable connections from computer to printer.
Printer appears to be working (media is being fed out), but nothing is printed.	<ol style="list-style-type: none"> 1. Verify that the labels are the correct type (direct thermal). 2. Check that the roll is loaded with the direct thermal side facing up. 3. Clean the print head with cleaning pen. 4. For TLP models, check that the ribbon is properly installed.
Printing is faded or poor quality.	<ol style="list-style-type: none"> 1. Clean the print head with cleaning pen. 2. Adjust print speed/darkness in software.
Prints only partial label or skips a label.	<ol style="list-style-type: none"> 1. Perform AutoSense gap sensor adjustment on page 12. 2. Label caught on print head. 3. Print head is not properly latched. 4. Possible software problem. Check the printer memory configuration. Refer to the EPL2 Programming manual.
Printing stops and STATUS indicator lights ORANGE or RED.	<ol style="list-style-type: none"> 1. Perform AutoSense gap sensor adjustment on page 12. 2. Possible problem with label stock. Use only Eltron approved labels and tags. 3. Possible label jam. 4. Insufficient memory for label size. Check the printer memory configuration. 5. Possible software problem. Refer to the EPL2 Programming manual.

Other Support Resources The first troubleshooting reference source is the table on the previous page. Next, contact the dealer where you purchased your printer.

Eltron International also provides a variety of information and user support services:

- **Internet:**

http://www.eltron.com

ftp://ftp.eltron.com

- **e-mail:**

Label Printers: techsup@eltron.com

Card Printers: privsup@eltron.com

Europe: eurosup@eltron.com

Singapore: asiasup@eltron.com

Latin America: latinsup@eltron.com

- **CompuServe e-mail:** 102251,1164

- **Customer Service:** +1 (800) 344 4003

For the name of a dealer in your area.

- **Technical Support FAX:**

USA: +1 (805) 579 1808

Asia: +65 73 38 206

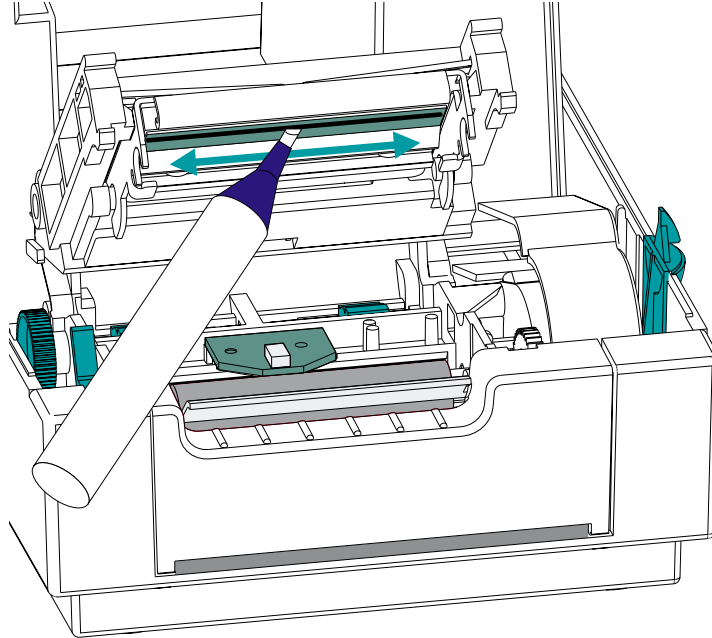
Europe: +44 (0) 1189 895 762

Latin America: +1 (847) 584 2725

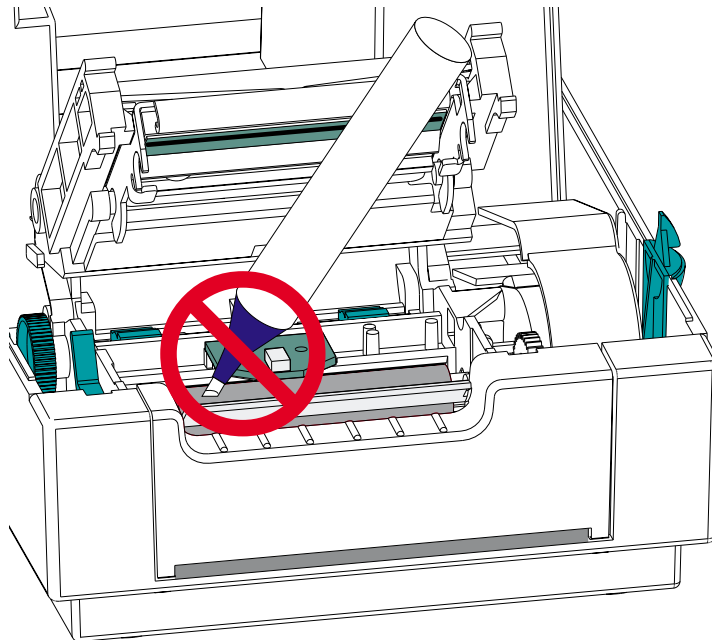
For your assistance and support with Eltron printers and software.

**Printer
Maintenance**

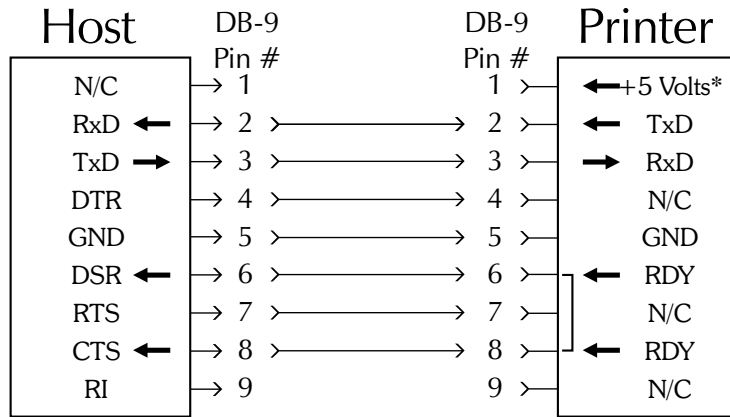
***Clean the
Print Head***



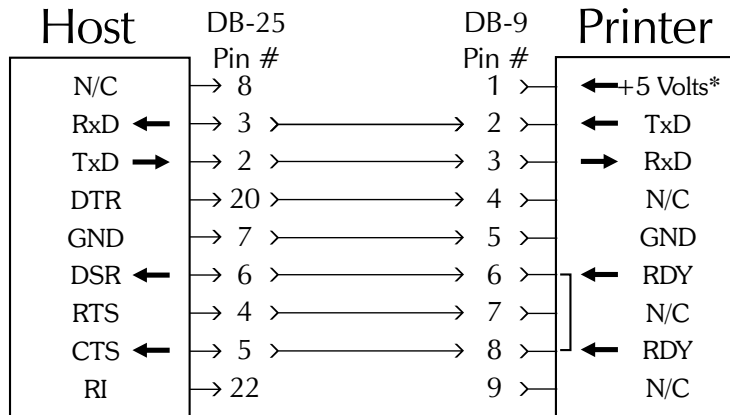
***Don't Clean Rollers
with Cleaning Pen***



Serial Interface Cable Wiring The figure below displays the cable wiring required to use the printer's RS-232 serial interface.



Female DB-9 to Male DB-9
Cable P/N 300017-006 (6') or 300017-010 (10')



Female DB-25 to Male DB-9
Cable P/N 300018-006 (6')

* +5 volts at 150 mA for external device (e.g. KDU or scanner)

Appendix B - Accessories

Accessories available for the 2700 series printer are listed below. Always refer to the ELTRON part number when placing an order. For the name of an Eltron brand dealer in your area, call: **805.579.1800**

Description	Part Number
Parallel Interface Cable, 6'	300016-006
Parallel Interface Cable, 10'	300016-010
Serial Interface Cable, 6' (DB-9 to DB-9)	300017-006
Serial Interface Cable, 10' (DB-9 to DB-9)	300017-010
Serial Interface Cable, 6' (DB-25 to DB-9)	300018-006
Power Rewinder, 120V	103284-001
Power Rewinder, 230V	103284-002
Create-A-Label 3 Software for DOS	105506-001
Create-A-Label 3 Software for Windows	105524-001
Keyboard Display Unit	120180-001
User's Manual (this manual)	980260-001
Programmer's Manual	980009-001
Software and Documentation CD	105551-001

World Wide Offices:

Zebra Technologies Corporation

Eltron Products

1001 Flynn Road
Camarillo, CA 93012-8706 USA
Phone: +1 (805) 579 1800
FAX: +1 (805) 579 1808
e-mail: sales@eltron.com

Zebra Technologies, Europe

Eltron House
Molly Millars Lane
Wokingham, RG41 2QZ England
Phone: +44 (0) 1189 770 300
FAX: +44 (0) 1189 895 762
e-mail: eurosales@eltron.com

Zebra Technologies, France

50 rue Marcel Dassault
92100 Boulogne-Billancourt
France
Phone: +33 1 55 20 93 93
FAX: +33 1 55 20 93 99
e-mail: eurosales@eltron.com

Zebra Technologies, Latin America

836 Arlington Heights Rd. #357
Elk Grove, IL 60007
Phone: +1 (847) 584 2714
FAX: +1 (847) 584 2725
e-mail: latinsales@eltron.com

Zebra Technologies, Asia Pacific Headquarters

1 Sims Lane #06-11
Singapore 387355
Phone: +65 84 20 322
FAX: +65 84 20 366
e-mail: asiasales@eltron.com



980260- 001A



Eltron Products