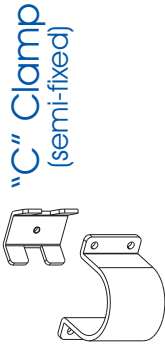
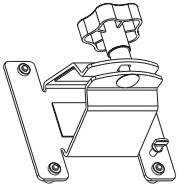


CS-Link PCT2 Mounting Options

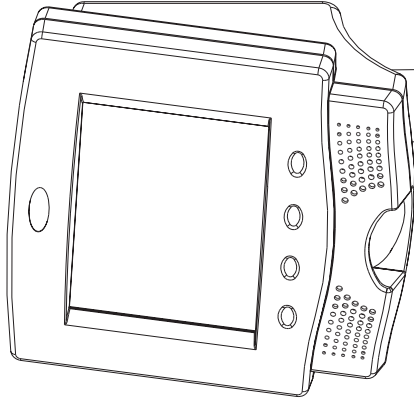
Clamp w/ Knob
(adjustable - recommended for screw down only)



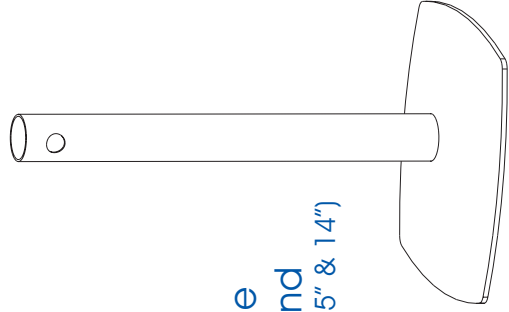
"C" Clamp
(semi-fixed)



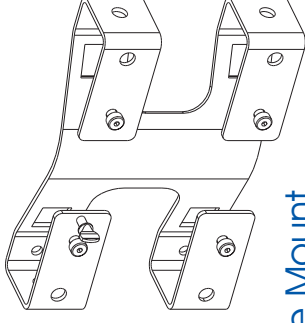
Screw Down Counter Stand
(available heights: 7.5" & 14")



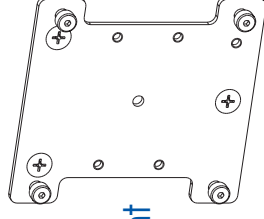
(shown: stand alone counter stand)



Stand Alone Counter Stand
(available heights: 7.5" & 14")



Column or Pole Mount
(mounting straps not shown)



Wall Mount

MOUNTING KITS:

- KT-Y-4 Wall
- KT-W-3 Column
- KT-V-8 7.5 in. Stand Alone w/ C Clamp
- KT-V-G 7.5 in. Stand Alone w/ Knob
- KT-V-A 14 in. Stand Alone w/ C Clamp
- KT-V-F 14 in. Stand Alone w/ Knob
- KT-V-7 7.5 in. Screw Down w/ C Clamp
- KT-V-J 7.5 in. Screw Down w/ Knob
- KT-V-6 14 in. Screw Down w/ C Clamp
- KT-V-H 14 in. Screw Down w/ Knob