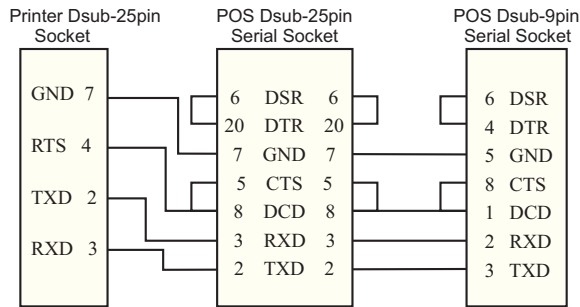


## 5. Pinouts

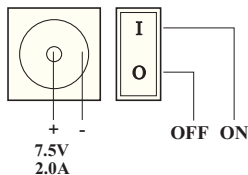
### A. Serial Connection



### B. Parallel Connection

| Pin# | Signal | Pin#  | Signal |
|------|--------|-------|--------|
| 1    | /STB   | 10    | /ACK   |
| 2    | DATA1  | 11    | BUSY   |
| 3    | DATA2  | 12    | GND    |
| 4    | DATA3  | 13    | SEL    |
| 5    | DATA4  | 14    | /ERR   |
| 6    | DATA5  | 15    | N/C    |
| 7    | DATA6  | 16    | N/C    |
| 8    | DATA7  | 17    | N/C    |
| 9    | DATA8  | 18~25 | GND    |

### C. Power Input



PRP-058 requires DC 7.5V/2.0A power.

### D. Cash Drawer Port

| Pin# | Signal       | Description                       |
|------|--------------|-----------------------------------|
| 1.   | N/C          |                                   |
| 2.   | Drive Signal | Cash drawer drive signal (output) |
| 3.   | Drive Signal | Cash drawer drive signal (output) |
| 4.   | DC +12V      | Output power                      |
| 5.   | DC +12V      | Output power                      |
| 6.   | N/C          |                                   |

## 6. Command Set

| No | Command                      | Hex Code   | Function Description   |
|----|------------------------------|--|--|
| 1  | LF                           | 0A   | Prints out buffer and advances one line  |
| 2  | ESC J n                      | 1B 4A n 18<=n<=FF  | Prints out buffer and advances n lines   |
| 3  | ESC 2                        | 1B 32  | Sets line space to 1/6 inch or 30 dots   |
| 4  | ESC 3 n                      | 1B 33 n 0B<=n<=FF  | Sets line space to n dots, n=30 default  |
| 5  | ESC ! n                      | 1B 21 n<br>n=00, 10, 20, 30  | Sets font size, n=00 default<br>n=10 double height n=20 double width<br>n=30 double height and double width<br>(This command gets overridden by ESC DC4 command.)  |
| 6  | ESC SO                       | 1B 0E  | Sets double width printing for all characters subsequent to the command in a line (This command gets overridden by LF, CR, or ESC DC4 command.)  |
| 7  | ESC DC4                      | 1B 14  | Resets to default font size  |
| 8  | ESC c 5 n                    | 1B 63 35 n<br>00<=n<=01  | Enables Feed & Online buttons n=00<br>default Disables Feed & Online buttons<br>n=01 (The buttons get enabled automatically when paper roll being loaded.)   |
| 9  | ESC * m<br>n1 n2 d1<br>...dx | 1B 2A m n1 n2<br>d1...dx<br>m=01, 21<br>00<=n1<=FF<br>n2=00, 01<br>00<=d<=FF | Sets dot matrix<br>m=01 8 dots double density<br>m=21 24 dots double density<br>n1+256*n2 total number of horizontal dots<br>d=1 to print the dot<br>d=0 not to print the dot<br>x denotes the data number<br>x=n1+256*n2 when m=01<br>x=(n1+256*n2)*3 when m=21 |
| 10 | ESC @                        | 1B 40  | Initializes printer and sets all defaults  |
| 11 | ESC                          | 1B 70 m n1 n2<br>m=00 01<n1<=n2<br>n1<=n2<FF                                 | Controls cash drawer<br>n1 is the time for attracting micro-switch<br>n2 is the time for starting next attractive<br>command, attractive time interval=n1*2ms,<br>response time interval=n2*2ms  |

## User's Manual

### PRP-058 Series

# Receipt Printer



## Contents

|                                    |   |
|------------------------------------|---|
| 1. Unpacking.....                  | 1 |
| A. Standard Package.....           | 1 |
| B. Models.....                     | 1 |
| 2. Specifications.....             | 1 |
| A. Physical Characteristics.....   | 2 |
| B. Printer Font.....               | 2 |
| C. Print Paper.....                | 2 |
| 3. Indicators and Connections..... | 2 |
| A. Front View of the Printer.....  | 2 |
| B. Rear View of the Printer.....   | 3 |
| C. Loading Paper Roll.....         | 3 |
| 4. Self Test of the Printer.....   | 4 |
| 5. Pinouts.....                    | 4 |
| A. Serial Connection.....          | 4 |
| B. Parallel Connection.....        | 5 |
| C. Power Input.....                | 5 |
| D. Cash Drawer Port.....           | 5 |
| 6. Command Set.....                | 6 |

# 1. Unpacking

## A. Standard Package

- |   |         |
|---|---------|
| 1) PRP-058 receipt printer                  | 1 set   |
| 2) User's manual                            | 1 piece |
| 3) Cable (serial or parallel cable)         | 1 piece |
| 4) Power adapter (7.5 VDC output)           | 1 piece |
| 5) Demo diskette including printer commands | 1 piece |
| 6) Paper roll                               | 1 piece |

## B. Models

- 1) PRP-058-S (serial interface)
- 2) PRP-058-P (parallel interface)

# 2. Specifications

## A. Physical Characteristics

|                              |   |
|------------------------------|---|
| <b>Print Method</b>          | Direct thermal  |
| <b>Paper Width</b>           | 57.5 mm ( 0.5 mm  |
| <b>Effective Print Width</b> | 48 mm   |
| <b>Print Speed</b>           | Approx. 52 mm/sec or 14 lines/sec   |
| <b>Print Head</b>            | Print density: 384 dots/line or 8 dots/mm<br>Print dot space: 0.125 mm<br>Print life: 50 km<br>Overheat suspension protection |
| <b>Interface (Serial)</b>    | Dsub 25-pin female connector<br>9600 bps, none, 8 bits, 1 stop bit<br>RTS/CTS and Xon/Xoff protocol                           |
| <b>Interface (Parallel)</b>  | Dsub 25-pin male connector<br>8 bits, BUSY protocol   |
| <b>Cash Drawer Port</b>      | DC 12V/1A, 6-wire RJ-11 socket  |
| <b>Net Weight</b>            | 740 g (without cable and paper roll)  |
| <b>Dimensions</b>            | 185 mm (L) x 114 mm (W) x 90 mm (H)   |
| <b>Operating Environment</b> | Temperature: 0 - 50°C<br>Humidity: 10 - 80 RH   |
| <b>Power Input</b>           | DC 7.5V/2.0A  |

## B. Printer Font

|                        |   |
|------------------------|---|
| <b>ASCII Character</b> | 12 x 24 dots, 1.25 mm (W) x 3.00 mm (H) |
| <b>Print Commands</b>  | ESC/POS                                 |

## C. Print Paper

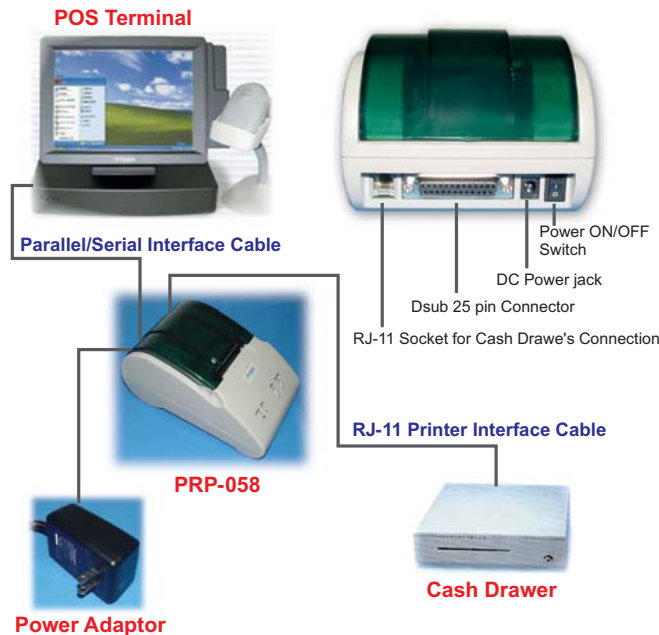
|                     |  |
|---------------------|--|
| <b>Type</b>         | Thermal  |
| <b>Model Number</b> | TF50KS-E (Japan Paper Co. Ltd.)<br>AF50KS-E (JUJO Thermal)                       |
| <b>Parameters</b>   | Width: 57.5 ( 0.5 mm<br>Max diameter: 50 mm<br>Thickness: 53-60 g/m <sup>2</sup> |

# 3. Indicators and Connections

## A. Front View of the Printer

|                        |   |
|------------------------|---|
| <b>Power Indicator</b> | Shows power on/off status   |
| <b>Error Indicator</b> | Shows error status:<br>On: Printer is on line<br>Off: Printer is off line<br>Blinking: 160 ms interval - out of paper<br>300 ms interval - print head overheated<br>(Wait till print head cools off then resume printing. The error indicator stops blinking when the temperature drops below 40(C.)) |
| <b>Feed Button</b>     | Advances paper roll (the button is inoperable when error indicator blinks)  |
| <b>Online Button</b>   | Switches printer online or offline  |

## B. Rear View of the Printer



## C. Loading Paper Roll



1) Open the top cover



2) Place the paper roll in the paper compartment. Pull the leading edge of the paper roll straight to pass the front panel of the printer.



3) Close the top cover and make sure the roller sits firmly on top of the paper roll.

# 4. Self Test of the Printer

- Power up the printer while pressing and holding down the Online button. Power Indicator comes on and Error Indicator goes out.
- Release the Online button. The printer prints out a successful test page.
- Error Indicator turns back on.

### SELFTEST

Interface: Centronics

!"#\$%&'()\*+,-./0123456789:;?@

@ABCDEFGHIJKLMN O PQRSTU VWXYZ[\]^

`abcdefghijklmnopqrstuvwxyz{|}~

國際一二級字庫

~~~~~

**SELFTEST OK!**