

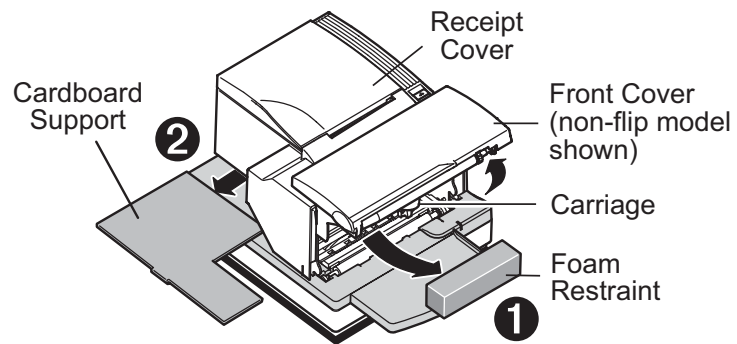
# Setup Guide



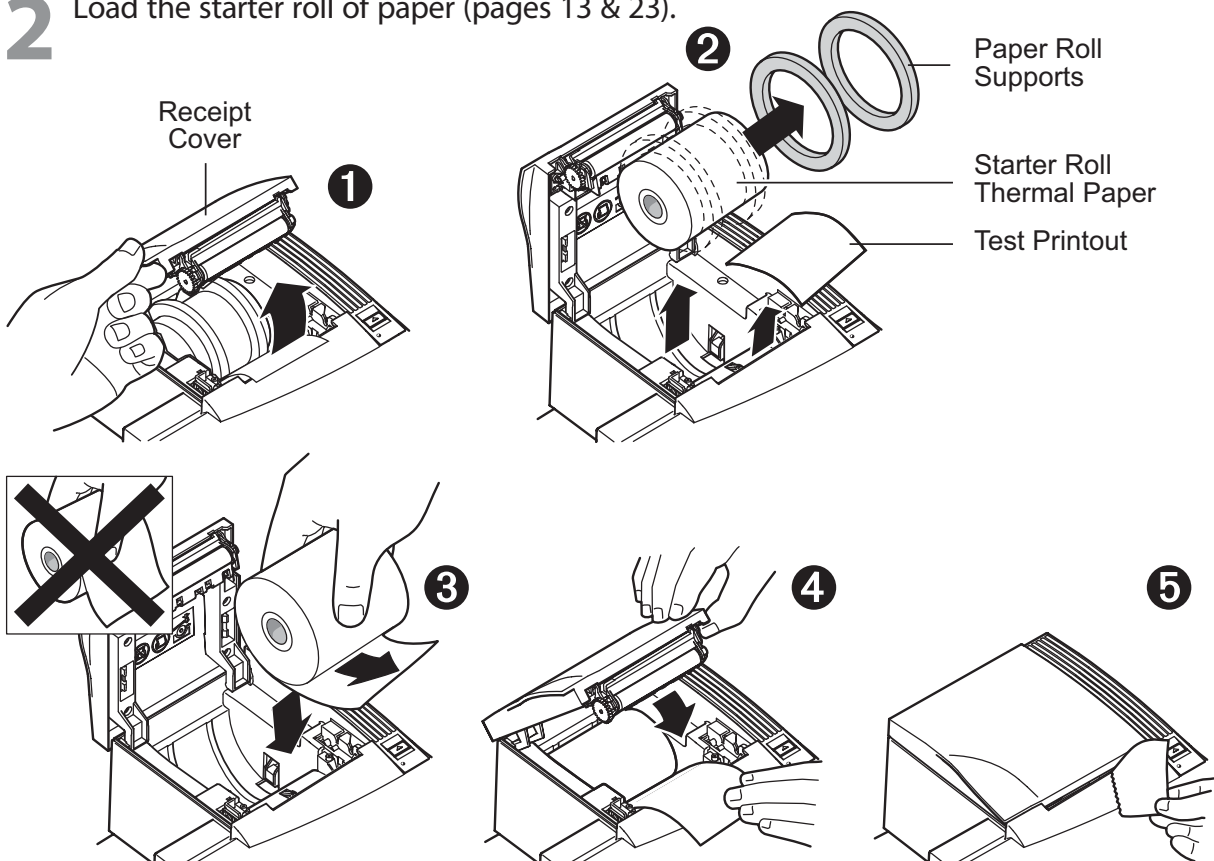
## Setting up the printer

The following instructions will provide a quick reference for setting up the A758 printer. You will need to refer to the Owner's Guide or USB Setup Guide downloadable from the TPG, Inc. web site ([http:// www.TPGprinters.com](http://www.TPGprinters.com)) for specific details for the USB setup procedures, troubleshooting tips, configuration adjustments, and command designations. Pages referenced are from the Owner's Guide, unless noted.

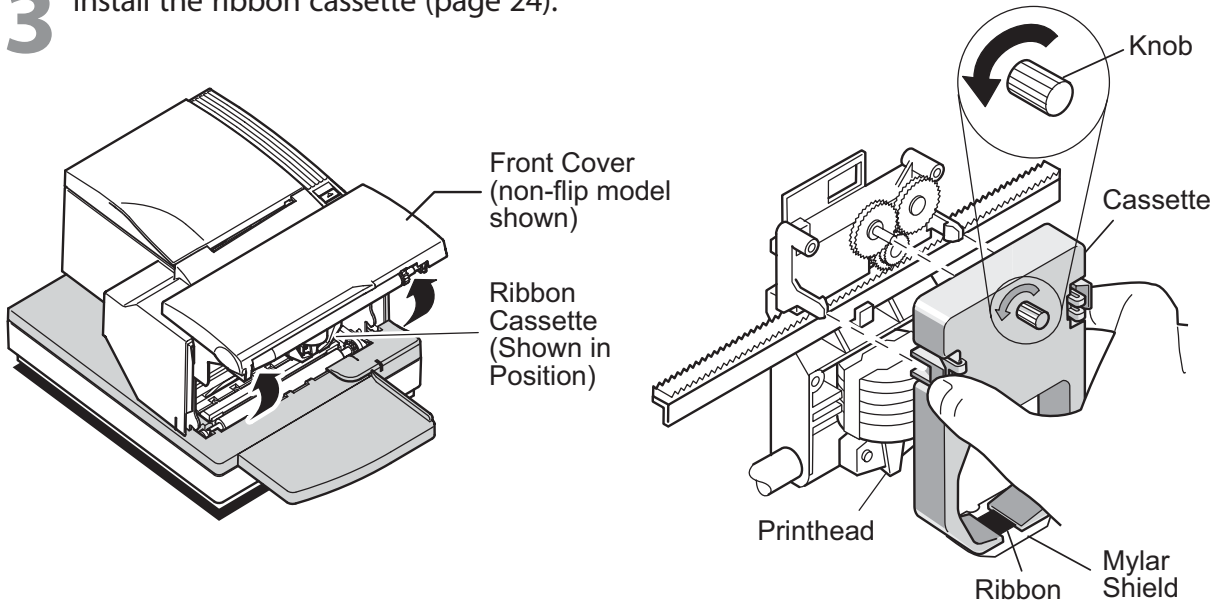
- 1 Unpack the printer, saving all packing materials for future shipping or storage (page 13).



- 2 Load the starter roll of paper (pages 13 & 23).



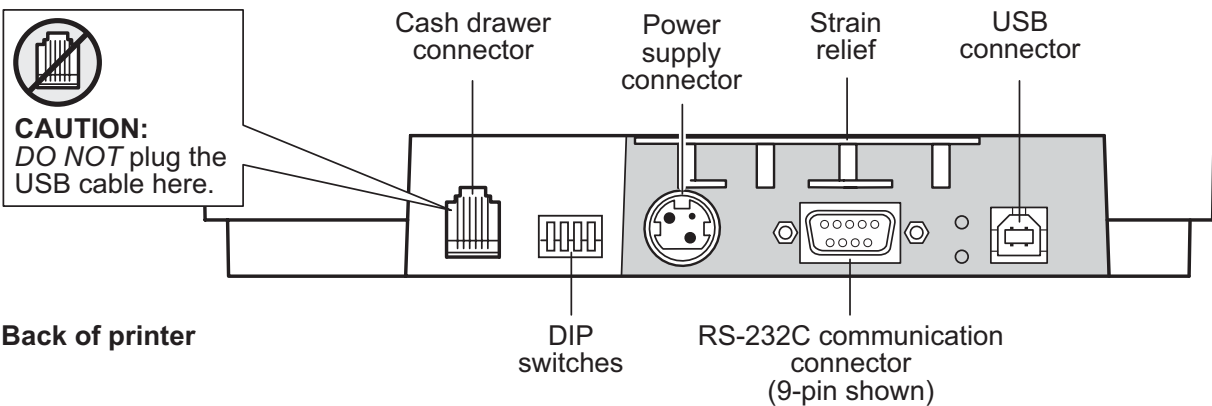
### 3 Install the ribbon cassette (page 24).



### 4 Choose a location for the printer (page 12).

### 5 Connect the following cables.

When using USB (step "b" below), use caution to ensure the **USB cable is connected to the USB connector on the back right of the printer** and not into the cash drawer connector that is on the left back of the printer.



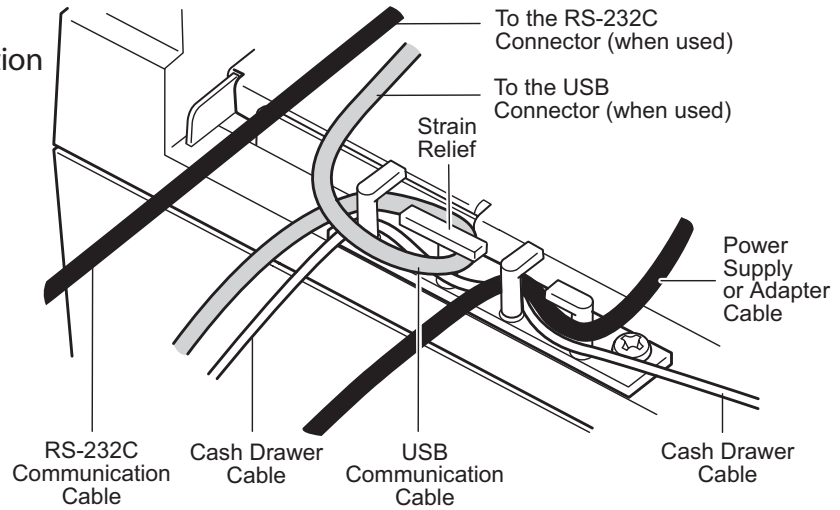
**a** Cash drawer (if your installation includes this feature, page 16).

**b** 9-pin or 25-pin Serial or USB cable (serial: page 14; USB: page 15).

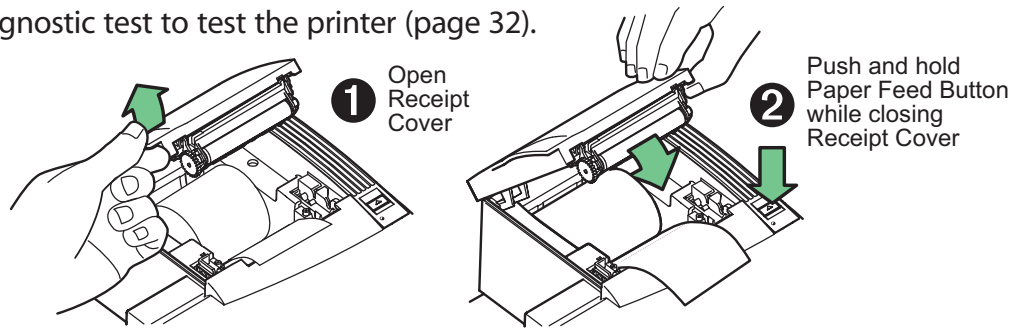
*Note: For USB connection instructions refer to the "A758 Setup Guide with USB" downloadable from the TPG, Inc. web site (<http://www.TPGprinters.com>).*

**c** Connect the power cable (page 16).

**d** Route cables as shown for your setup configuration (page 15).



**6** Run a diagnostic test to test the printer (page 32).



**7** Configure the printer if necessary (page 33 and Communication Interface (page 36) for commands descriptions and usage).

```

*** A758 - Diagnostics Form ***
Model number       : A758-0000
Serial number      : 0000000000

Boot Firmware
Revision          : V3.12
CRC               : 814C
P/N              : 189-1076109C

Flash Firmware
Revision          : V4.21
CRC               : 19AB
P/N              : 189-1076110E

H/W parameters
Flash Memory Size : 512 Mbyte
Flash Logos/Fonts : 64 kbytes
Flash User Storage: 64 kbytes
SRAM Size         : 256 kbytes
CPU Clock Freq.  : 50 MHz
Head setting      : A
Print Density     : 100 %
Max Speed         : 130 mm/sec
Max Power         : 55 W
Alternate Reset   : Disabled
Knife            : Enabled
Paper Low Sensor  : Disabled
MICR             : Disabled
Check Flip       : Disabled
MICR Dual Pass   : Disabled

MICR DC offset   : 7F
Slip Position Option : Disabled

Comm. Interface
RX Buffer Size    : 4096
Interface type   : RS232/USB
Parameters
Baud Rate        : 9600
Data Bits        : 8
Stop Bit(s)      : 1
Parity           : NONE
Flow Control     : DTR/DSR
Reception Errors : Ignore
Alternate DTR/DSR : Disabled

Resid. Code Pages : 437, 850, 852, 858
                  : 860, 863, 865, 866
                  : 1252, 862, 737

Logo(s) defined  : NO
User Char(s) defined : NO

To enter Printer Config Menu :
1) Flip DIP switch #1 down
2) Reset the printer, while holding
   the Paper Feed button down
  
```

```

***** MAIN MENU *****
*****

Select a sub-menu :
- EXIT                -> 1 click
- Print Current Configuration -> 2 clicks
- Set Communication Interface -> 3 clicks
- Set Diagnostics Modes   -> 4 clicks
- Set Emulation/Software Options -> 5 clicks
- Set Hardware Options    -> 6 clicks

Enter code, then hold Button DOWN
at least 1 second to validate
  
```

Current Printer tallies are printed after the Diagnostic information and will vary per printer use.

Print Test and Configuration Menu Sample.  
Samples will vary depending on the printer model.

## Federal Communications Commission (FCC) Radio Frequency Interference Statement Warning

Changes or modifications to this unit not expressly approved by the party responsible for compliance could void the user's authority to operate the equipment.

### Note

This equipment has been tested and found to comply with the limits for a Class A digital device, pursuant to Part 15 of the FCC Rules. These limits are designed to provide reasonable protection against harmful interference when the equipment is operated in a commercial environment. This equipment generates, uses, and can radiate radio frequency energy and, if not installed and used in accordance with the instruction manual, may cause harmful interference to radio communications. Operation of this equipment in a residential area is likely to cause harmful interference in which case the user will be required to correct the interference at his own expense.

### Information to the User

This equipment must be installed and used in strict accordance with the manufacturer's instructions. However, there is no guarantee that interference to radio communications will not occur in a particular commercial installation. If this equipment does cause interference, which can be determined by turning the equipment off and on, the user is encouraged to contact TPG, Inc. immediately.

TPG, Inc. is not responsible for any radio or television interference caused by unauthorized modification of this equipment or the substitution or attachment of connecting cables and equipment other than those specified by TPG, Inc. The correction of interferences caused by such unauthorized modification, substitution or attachment will be the responsibility of the user.

In order to ensure compliance with the Product Safety, FCC and CE marking requirements, you must use the power supply, power cord, and interface cable which are sold for use with this product or which meet the following parameters:

### Power Supply

UL Listed (QQGQ), Class 2 power supply with SELV (Secondary Extra Low Voltage), non-energy hazard output, limited energy source, input rated 100-240 Vac, 1.5/0.8 A, 50/60 Hz, output rated 24 Vdc, 2.3 A for 55 watt unit; 100-240 Vac, 2.0A, 50/60 Hz, output rate 24 Vdc, 3.125 A for 75 watt unit.

Use of this product with a power supply other than the TPG, Inc. power supply will require you to test the power supply and TPG, Inc. printer for FCC and CE mark certification.

### Communication Interface Cable

A shielded (360 degree) interface cable must be used with this product. The shield must be connected to the frame or earth ground connection or earth ground reference at EACH end of the cable.

Use of a cable other than described here will require that you test the cable with the TPG, Inc. printer and your system for FCC and CE mark certification.

### Power Cord

A UL listed, detachable power cord must be used. For applications where the power supply module may be mounted on the floor, a power cord with Type SJT marking must be used. For applications outside the US, power cords which meet the particular country's certification and application requirements should be used.

Use of a power cord other than described here may result in a violation of safety certifications which are in force in the country of use.

### Industry Canada (IC) Radio Frequency Interference Statement

This Class A digital apparatus meets all requirements of the Canadian Interference-Causing Equipment Regulations.

Cet appareil numérique de la classe A respecte toutes les exigences du Règlement sur le matériel brouilleur du Canada.

### Voluntary Control Council for Interference (VCCI) Radio Frequency Interference Statement

This is a Class A product based on the standard of the Voluntary Control Council for Interference by Information Technology Equipment (VCCI). If this equipment is used in a domestic environment, radio disturbance may arise. When such trouble occurs, the user may be required to take corrective actions.

この装置は、情報処理装置等電波障害自主規制協議会（VCCI）の基準に基づくクラスA情報技術装置です。この装置を家庭環境で使用すると電波妨害を引き起こすことがあります。この場合には使用者が適切な対策を講ずるよう要求されることがあります。

### Disclaimer

Information in this document is subject to change without notice. Consult your TPG, Inc. sales representative for information that is applicable and current. TPG, Inc. reserves the right to improve products as new technology, components, software, and firmware become available.

No part of this document may be reproduced, transmitted, or translated in any form or by any means, electronic or mechanical, for any purpose without the express written permission of TPG, Inc.

### Copyright

Copyright © 2004 by TPG, Inc.

950 Danby Road, Ithaca, New York 14850, USA. All rights reserved. Printed in USA. Confidential, Unpublished. Property of TPG, Inc.

### Trademarks

TPG, Inc.™ is a trademark of TPG, Inc. and its subsidiaries.

Microsoft, Windows NT are registered Trademarks of Microsoft Corporation in the U.S.A. and/or other countries.

Inside Out Networks, Inside Out, EPIC, and Edgeport are trademarks of Inside Out Networks.

All other trademarks and registered trademarks are the property of their respective holders.

### Patents

Made under one or more of the following U.S. patents: 4886381, 5579043, 5613787, 5651624, 5713678, 5752779, 5789916, 5800080, 5879090, 5887999, 5975776, 6027266, 6085973, 6089450, 6129465, 6155483, 6404452, 6,486,902, 6,504,331, 5,749,277, 6,722,754, 6,739,773, 6,784,909. Other U.S. and International patents pending.

### Web Site

<http://www.TPGprinters.com>