



# CRD 4100-101X Cradle

*Quick Reference • Guide utilisateur • Kurzübersicht  
Guida rapida • Guía rapida • Quick Reference  
Quick Reference • Guide utilisateur • Kurzübersicht*

Gu. nce  
Qu. icht  
Gu. nce  
Qu. icht  
Gu. nce  
Qu. icht  
Gu. nce  
Qu. icht  
Gu. nce  
Qu. icht  
Gu. nce  
Qu. icht  
Gu. nce  
Qu. icht  
Gu. nce  
Qu. icht  
Gu. nce



*Quick Reference • Guide utilisateur • Kurzübersicht  
Guida rapida • Guía rapida • Quick Reference  
Quick Reference • Guide utilisateur • Kurzübersicht  
Guida rapida • Guía rapida • Quick Reference*

## Quick Reference

© 1996 - 1998 SYMBOL TECHNOLOGIES, INC. All rights reserved.  
Symbol reserves the right to make changes to any product to improve reliability, function, or design.

Symbol does not assume any product liability arising out of, or in connection with, the application or use of any product, circuit, or application described herein.

No license is granted, either expressly or by implication, estoppel, or otherwise under any patent right or patent, covering or relating to any combination, system, apparatus, machine, material, method, or process in which Symbol products might be used. An implied license only exists for equipment, circuits, and subsystems contained in Symbol products. Symbol is a registered trademark of Symbol Technologies, Inc. Other product names mentioned in this manual may be trademarks or registered trademarks of their respective companies and are hereby acknowledged.

Symbol Technologies, Inc.




One Symbol Plaza

Holtsville, N.Y. 11742-1300

<http://www.symbol.com>

FCC Information

This device complies with Part 15 of the FCC Rules. Operation is subject to the following two conditions: (1) this device may not cause harmful interference, and (2) this device must accept any interference received, including interference that may cause undesired operation. This Class A digital apparatus meets all requirements of the Canadian Interference-Causing Equipment Regulations. Cet appareil numérique de la classe A respecte toutes les exigences du Règlement sur le matériel brouilleur du Canada.

 Symbol Technologies, Inc. Isham, NY 11736	MODEL NO. MANUFACTURED: SERIAL NO.	DC-12V 2A
CHARGING CRADLE  9897  CE	This product covered by US and Foreign Patents. See Quick Reference Guide for patent listing.	
LISTED ACCESSORY I.T.E. This device complies with Part 15 of the FCC Rules. Operation is subject to the following two conditions: (1) this device may not cause harmful interference, and (2) this device must accept any interference received, including interference that may cause undesired operation. This Class A digital apparatus meets all requirements of the Canadian interference-causing equipment regulations. Cet appareil numérique de la classe A respecte toutes les exigences du règlement sur le matériel brouilleur du Canada.		
MADE IN CHINA		

## Quick Reference

## **Introduction**

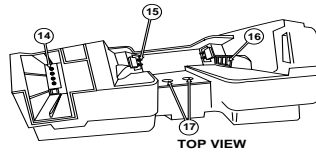
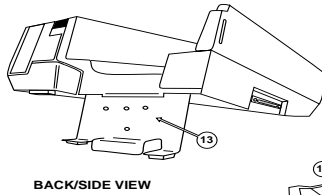
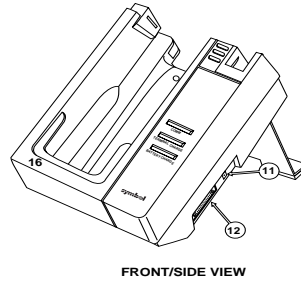
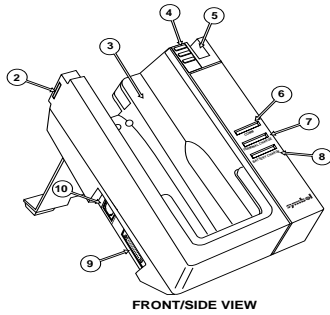
Symbol Technologies' CRD 4100-101X cradle provides RS-232 communication, charging, and storage capabilities for the PPT 4100/4110 terminal.

## **About This Guide**

This guide provides information on installing and operating the cradle for the operator and system administrator.

**Quick Reference**

## Parts of The Cradle



## Quick Reference

## **Parts of the Cradle (cont'd)**

1. Locking Mechanism
2. Locking Slot
3. Terminal Insertion Slot
4. Battery Pack Release Switch
5. Battery Pack Charging Slot
6. Communications (COMM) Light
7. TERMINAL CHARGE Light
8. BATTERY CHARGE Light
9. DB-25 Communications Port 1
10. RJ-41 Port
11. AC Power connector
12. DB-25 Communications Port 2
13. Mounting Bracket
14. Battery Pack Charging Contacts
15. Terminal Charging Contacts
16. Infrared (IR) Lights
17. Mounting Bracket Screw Slots

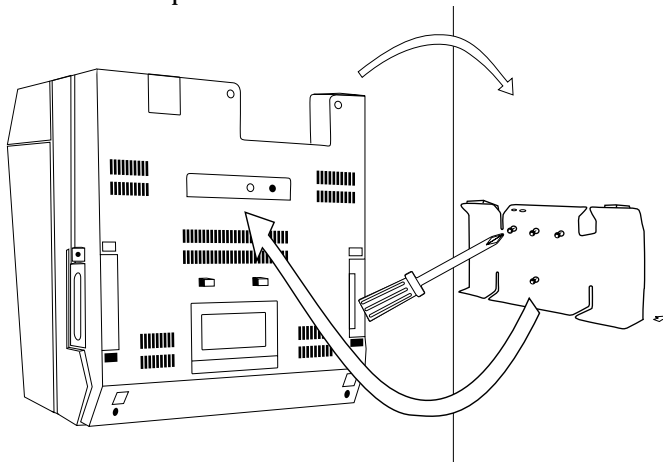
**Quick Reference**

## Wall Mounting

The CRD 4100-101X can be placed on a desk, or mounted on a wall.

To wall mount the cradle:

1. Remove the mounting bracket from the back of the cradle by removing the two phillips head screws on the front plate, and sliding the mounting bracket out of the cradle.
2. Secure the mounting bracket to the selected position on the wall with the appropriate hardware.
3. Align the cradle assembly on the mounting bracket and slide into place as shown.



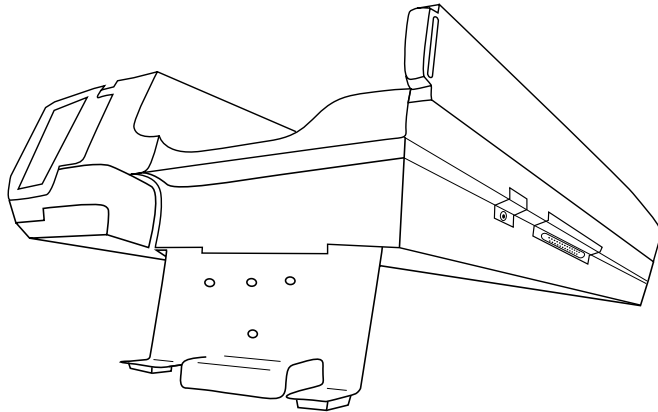
4. Secure the cradle assembly to the mounting bracket by replacing the two phillips head screws.

## Quick Reference

## Desk Mounting

The CRD 4100-101X may also be desk mounted for your convenience. To desk mount your cradle:

1. Remove the mounting bracket from the back of the cradle by removing the two phillips head screws from the front plate, and sliding the mounting bracket out of the cradle.
2. Turn the mounting bracket around (table pads should be facing downward - see figure).



3. Slide the bracket hinges into the mounting slot and secure, using the two phillips head screws.

**Quick Reference**

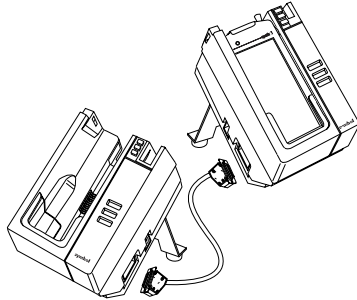
## Connecting to Other Cradles

Up to four cradles can be interconnected using an RS-232 inter-cradle connector cable.

### ***Caution***

*Each cradle must have its own power supply; any other method of power hookup is unsafe.*

1. Plug one end of the inter-cradle cable into the communication port located on the right end of the first cradle.
2. Plug the other end of the inter-cradle cable into the communication port located below the power connector on the left end of the second cradle.
3. Connect power supply to second cradle as described in *Connecting Power*.
4. Install a terminator plug (p/n 50-12100-105) in communications port 2 on the right side of the last cradle.



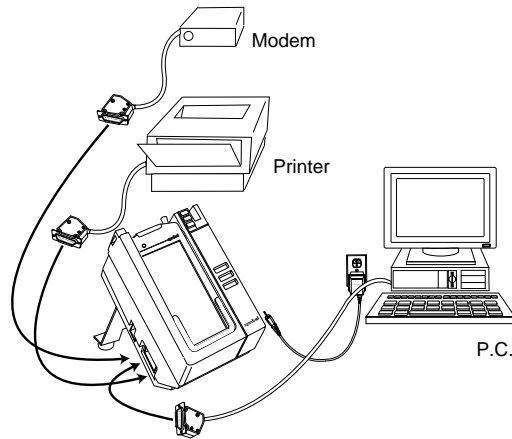
Repeat steps 1 and 2 to connect a third and fourth cradle.

## Quick Reference



## Serial Connections

The CRD 4100-101X enables the PPT 4100/4110 to communicate through an RS-232 interface to a computer, printer, modem, or other peripheral device.

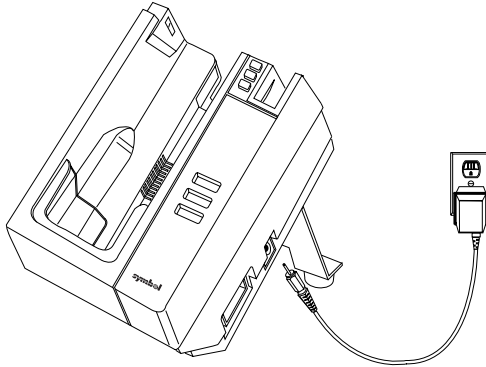


1. Plug the RS-232 cable into the cradle communications port 1, located on the left side of the cradle.
2. Connect the other end of the cable to the serial port of the printer or host. DCE-type serial printers do not require a null-modem cable. If your computer uses a 9-pin serial port, use a 25-to-9 pin adapter. See your system administrator.
3. Install a terminator plug in communication port 2 on the right side of the cradle.

**Quick Reference**

## Connecting Power

1. Connect the power supply cord jack to the power connector on the side of the cradle.



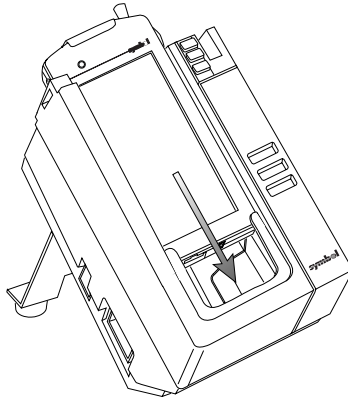
2. Connect the power supply plug to a standard electrical outlet.

When the cradle is powered up, all three indicator lights flash for a short time, while initialization is taking place. If any of the lights do not flash, then the cradle requires service.

## Quick Reference

## Placing the Terminal in Cradle

1. Slide the terminal into the bottom of the cradle, making sure the terminal is seated firmly in the cradle.



The green *TERMINAL CHARGE* indicator lights if the terminal is turned on, provided the appropriate software driver is installed. Check with the System Administrator to ensure that the necessary software has been installed.

To remove, pull straight up and lift the terminal out of the cradle.

### ***Caution***

*Do not remove the terminal from the cradle when the red *COMM* light is blinking, as this will disrupt communications between the terminal and the host.*

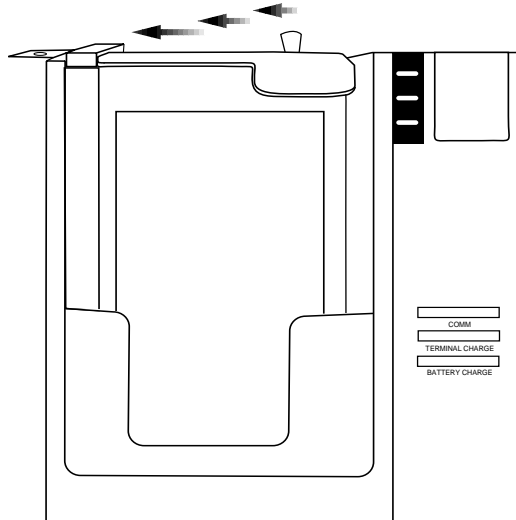
**Quick Reference**

## Using the Locking Mechanism

The CRD 4100-101X has an optional locking mechanism which ensures that the terminal is secured in the cradle.

To lock the terminal in the cradle:

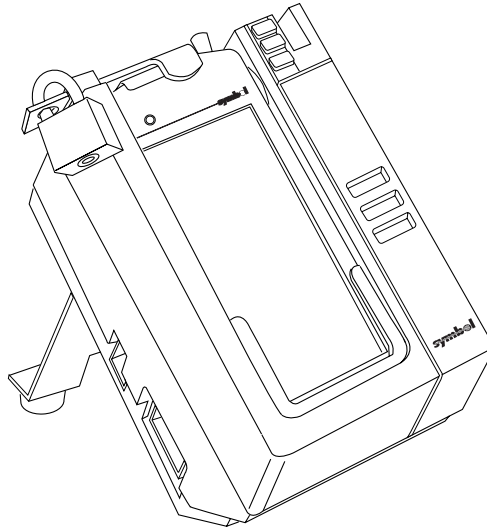
1. Seat the terminal firmly in the cradle.
2. Slide the locking mechanism into the slot, as shown below:



3. Use a combination or key lock to secure the mechanism in place. (Lock not included).

## Quick Reference

If properly inserted, the locking mechanism should rest on top of the terminal, and should keep the terminal from moving while it is seated in the cradle.



To remove the terminal:

1. Unsecure and remove the lock.
2. Slide the locking mechanism out of the slot.
3. Lift the terminal out of the cradle.

**Quick Reference**

## Printing or Sending Data to the Host Computer

### ***Caution***

*Do not remove the terminal from the cradle when the red COMM light is blinking, as this will disrupt communications between the terminal and the host.*

1. Place the terminal into the cradle.
2. Follow the communication instructions as described in the *PPT 4100/4110 System Administration Manual*. The COMM light blinks when communication begins.

**Quick Reference**

## Recharging the Battery in the Terminal

**Note:** *Charge the battery fully before using the terminal. The cradle cannot fast-charge a terminal and a spare battery pack at the same time. If you insert a terminal and a spare battery pack in the cradle for charging at the same time, the battery pack is fast-charged, while the terminal is trickle-charged. Once the battery pack is recharged, the terminal will switch to a fast-charge.*

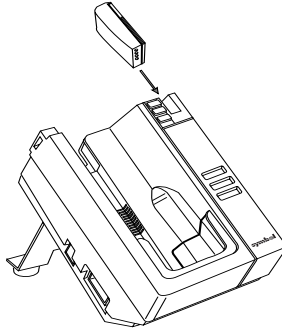
The rechargeable battery is automatically recharged when the terminal is properly inserted into the cradle. The terminal can be on or off. Check with the System Administrator to ensure that the necessary software driver has been loaded into the terminal.

1. Place the terminal in the cradle. The cradle's *TERMINAL CHARGE* lights flash.
2. Leave the terminal in the cradle for 1.5 hours to recharge a fully-discharged battery. The *TERMINAL CHARGE* light changes to a solid light when the terminal is fully charged.

**Quick Reference**

## Recharging the Battery Pack

1. Insert the battery pack into the charging slot until it is firmly seated on the contacts. The straight edge of the battery pack should be facing outward as shown:



2. Check the indicator lights to determine the charging status of the battery. A flashing *BATTERY CHARGE* light indicates that the battery pack has a low charge, and should not be used until it is fully charged. This light continues flashing while the battery is being fast-charged.
3. When the *BATTERY CHARGE* light turns to a solid light, the battery pack is fully charged, and may be removed from the charging slot. To remove the battery pack from its charging slot, depress the black battery pack release switch and lift the battery pack out of the charging slot.

## Quick Reference



## Indicator Lights

*CHARGING* and *COMM* lit.



With the terminal correctly seated, after 3 seconds, *CHARGING* remains lit and *COMM* goes out. The cradle has been connected to power.

*CHARGING* lit, *COMM* off.



The terminal is correctly seated in the cradle and trickle charging.

*CHARGING* and *COMM* lit.



Waiting for the host or printer.

## Quick Reference

## Indicator Lights

*CHARGING* lit, *COMM* blinking.



Sending or receiving data.

*CHARGING* blinking, *COMM* off.



Fast charge in progress (8 hours).

## Quick Reference

## Troubleshooting

Symptom	Possible Cause	Action
Green and red indicators do not momentarily light when the cradle is plugged in.	Cradle is not receiving power.	Make sure power cable is securely connected and wall outlet is supplying power.
Green <i>CHARGING</i> indicator does not light when terminal is inserted in cradle.	Terminal is not seated firmly in cradle.	Replace terminal in cradle; terminal must fit securely.
	Terminal is not turned on.	Turn on the terminal.
	Terminal is not communicating with cradle.	Try another terminal.
NiCad battery in terminal did not recharge.	Battery failed.	Replace battery.
	Terminal was removed from cradle too soon.	Replace terminal in cradle; about 90 minutes are needed to recharge a completely dead battery.

**Quick Reference**

<b>Symptom</b>	<b>Possible Cause</b>	<b>Action</b>
No data was transmitted to the host or printer, or the data transmitted to host or printer was incomplete.	Terminal removed from cradle while red <i>COMM</i> indicator was blinking.	Replace terminal in cradle and retransmit.
	Null modem was not used.	Null modem is required for communication to DTE devices. Retransmit using appropriate null modem.
	Incorrect null modem configuration.	See your system administrator.

## Quick Reference

## Patents

This product is covered by one or more of the following U.S. and foreign Patents:

U.S. Patent No. 4,360,798; 4,369,361; 4,387,297; 4,460,120; 4,496,831;  
4,593,186; 4,603,262; 4,607,156; 4,652,750; 4,673,805; 4,736,095; 4,758,717;  
4,816,660; 4,845,350; 4,896,026; 4,897,532; 4,923,281; 4,933,538; 4,992,717;  
5,015,833; 5,017,765; 5,021,641; 5,029,183; 5,047,617; 5,103,461; 5,113,445;  
5,130,520; 5,140,144; 5,142,550; 5,149,950; 5,157,687; 5,168,148; 5,168,149;  
5,180,904; 5,229,591; 5,230,088; 5,235,167; 5,243,655; 5,247,162; 5,250,791;  
5,250,792; 5,262,627; 5,262,628; 5,266,787; 5,278,398; 5,280,162; 5,280,163;  
5,280,164; 5,280,498; 5,304,786; 5,304,788; 5,306,900; 5,321,246; 5,324,924;  
5,337,361; 5,367,151; 5,373,148; 5,378,882; 5,396,053; 5,396,055; 5,399,846;  
5,408,081; 5,410,139; 5,410,140; 5,412,198; 5,418,812; 5,420,411; 5,436,440;  
5,444,231; 5,449,891; 5,449,893; 5,468,949; 5,471,042; 5,478,998; 5,479,000;  
5,479,002; 5,479,441; 5,504,322; 5,519,577; 5,528,621; 5,532,469; 5,543,610;  
5,545,889; 5,552,592; 5,578,810; 5,581,070; 5,589,679; 5,589,680; 5,608,202;  
5,612,531; 5,619,028; 5,664,229; 5,668,803; 5,675,139; 5,693,929; 5,698,835;  
5,705,800; 5,714,746; 5,723,851; 5,734,152; 5,734,153; 5,745,794; 5,754,587;  
5,658,383; D305,885; D341,584; D344,501; D359,483; D362,453; D362,435;  
D363,700; D363,918; D370,478; D383,124; D391,250.

Invention No. 55,358; 62,539; 69,060; 69,187 (Taiwan); No. 1,601,796;  
1,907,875; 1,955,269 (Japan).

European Patent 367,299; 414,281; 367,300; 367,298; UK 2,072,832; France  
81/03938; Italy 1,138,713.

rev. 7/98



70-11995-02  
Revision C - August 1998

**Quick Reference**