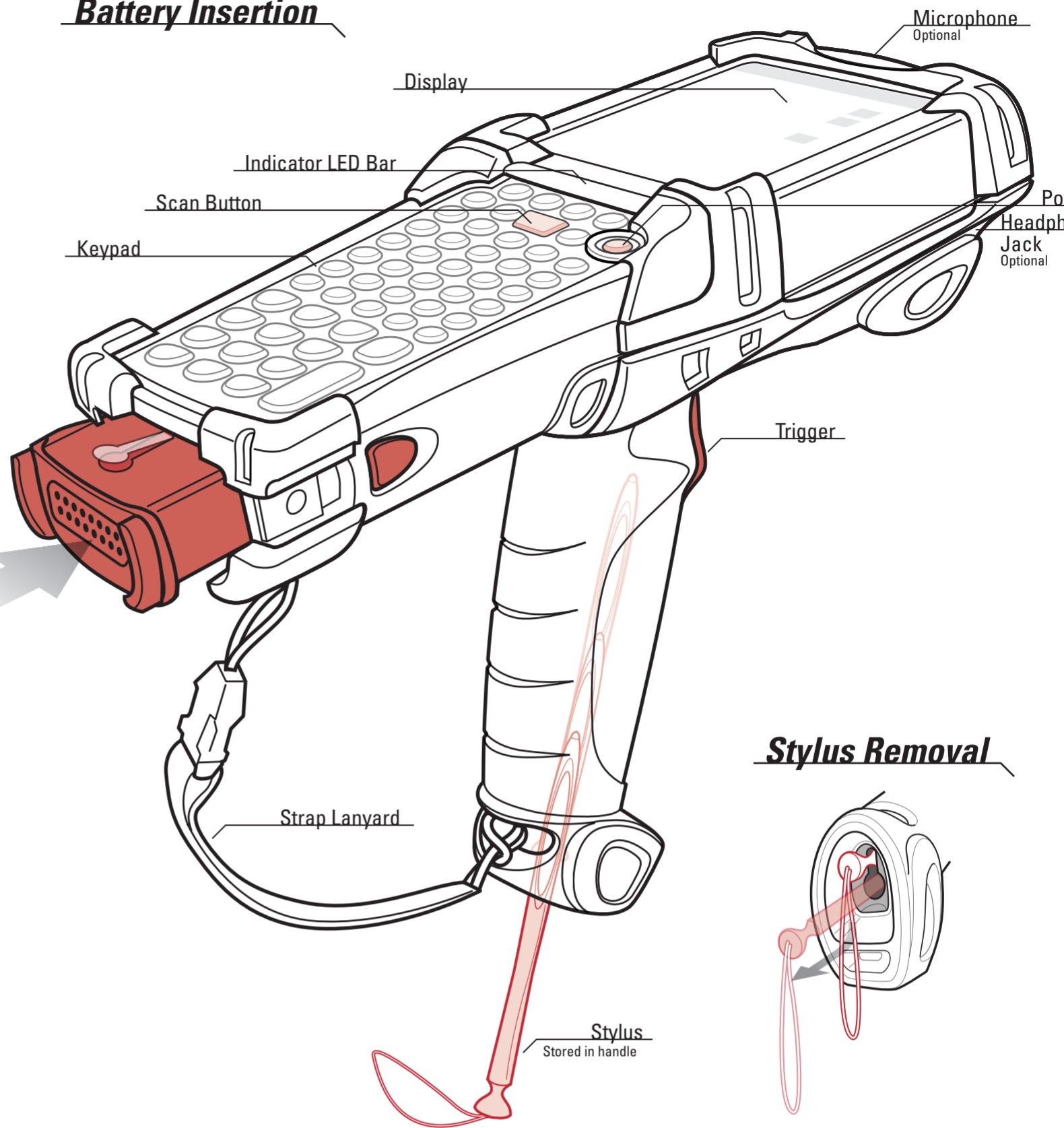
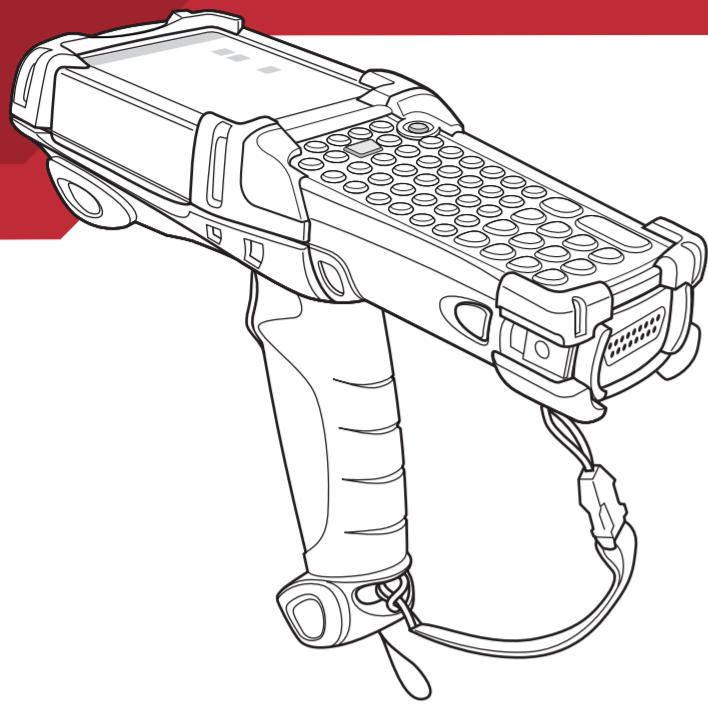


# MC9000-G Quick Start Guide

<http://www.symbol.com/mc9000g>

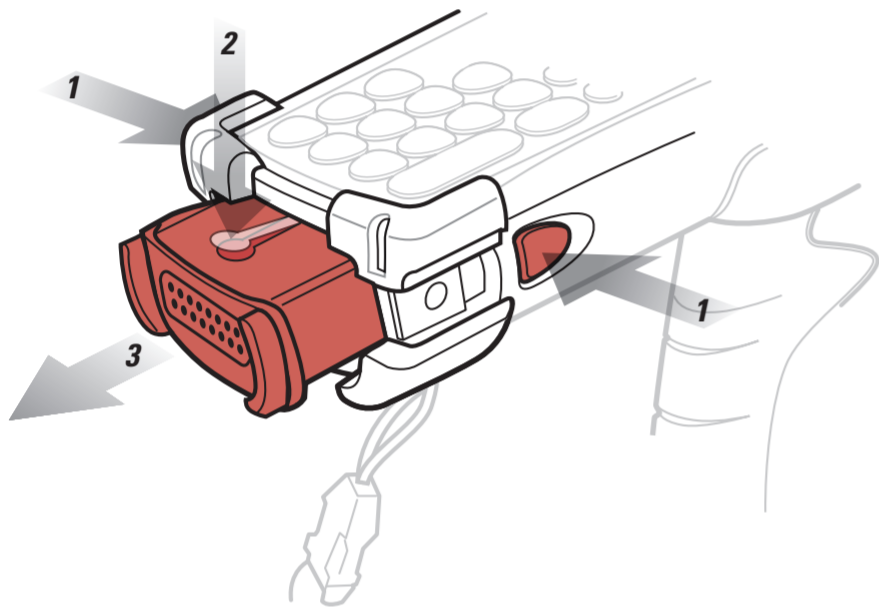
See Product Reference Guide for more information

## Battery Insertion

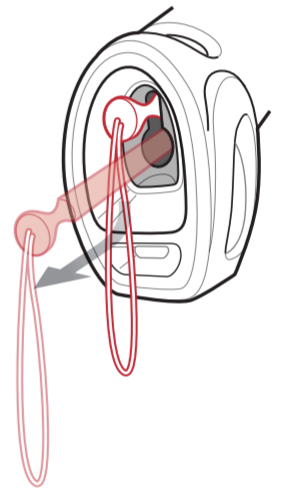


POST IN WORK AREA

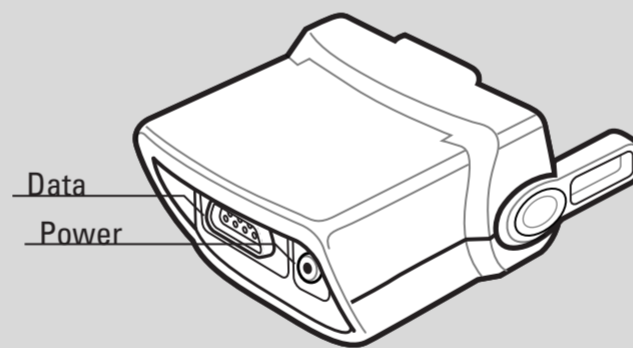
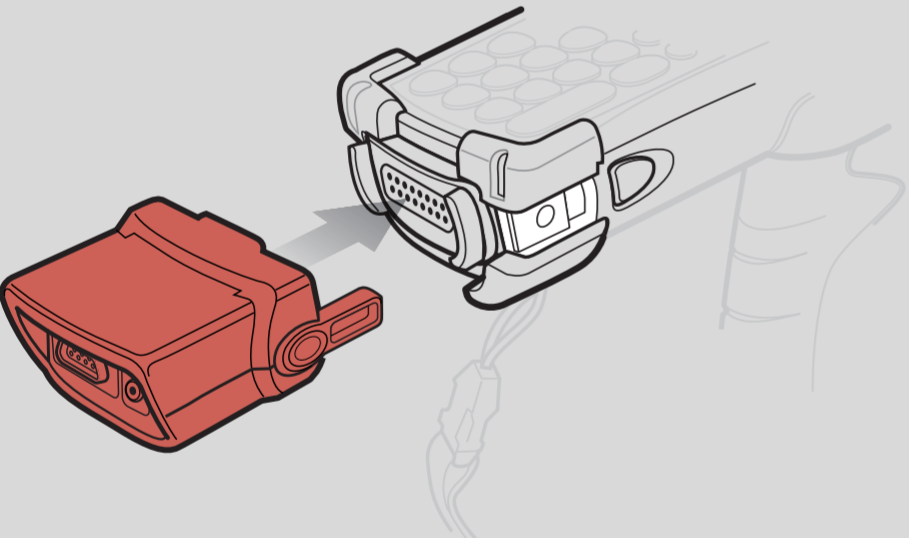
## Battery Removal



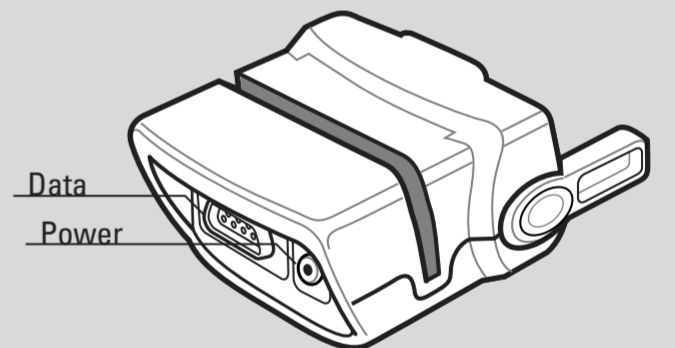
## Stylus Removal



## Snap-on Accessory Installation



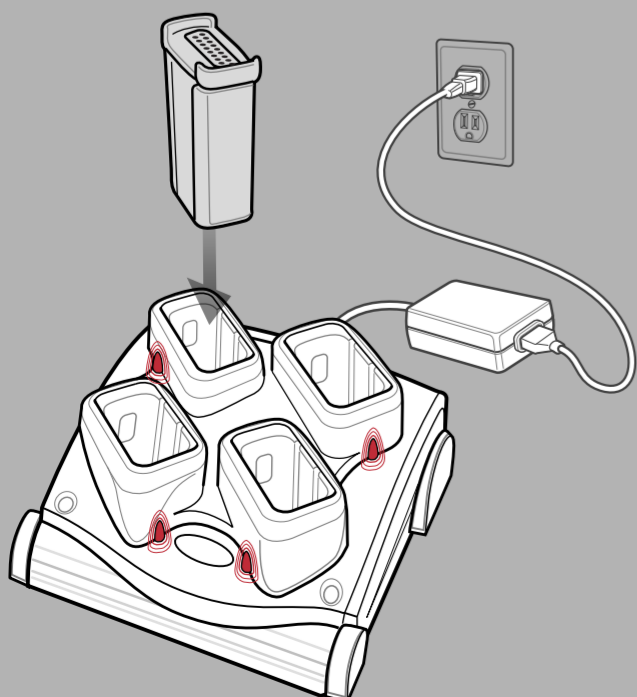
**Cable Adapter Module**



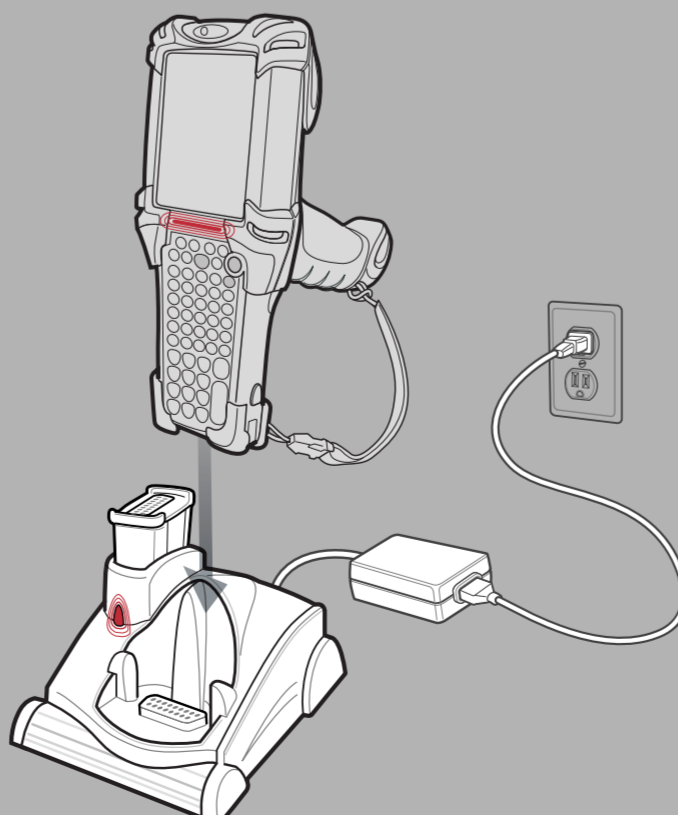
**Magnetic Stripe Reader**

## Charging Instructions

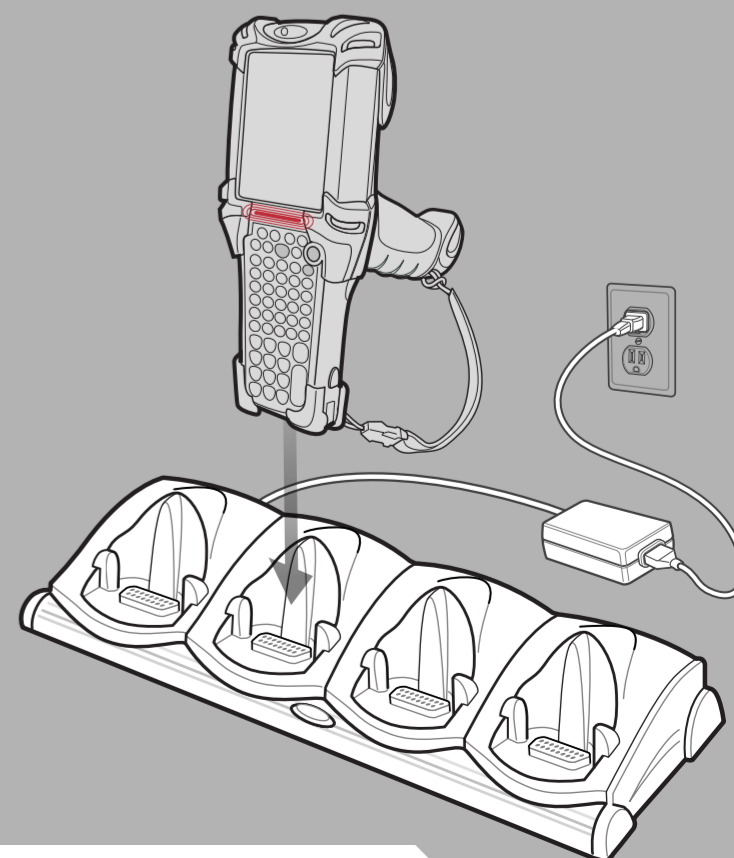
● = LED Indicator Location  
 Slow Flash = Normal Charge | Solid Amber = Full Charge | Fast Flash = Charging Error



**Four Slot Spare Battery Charger**



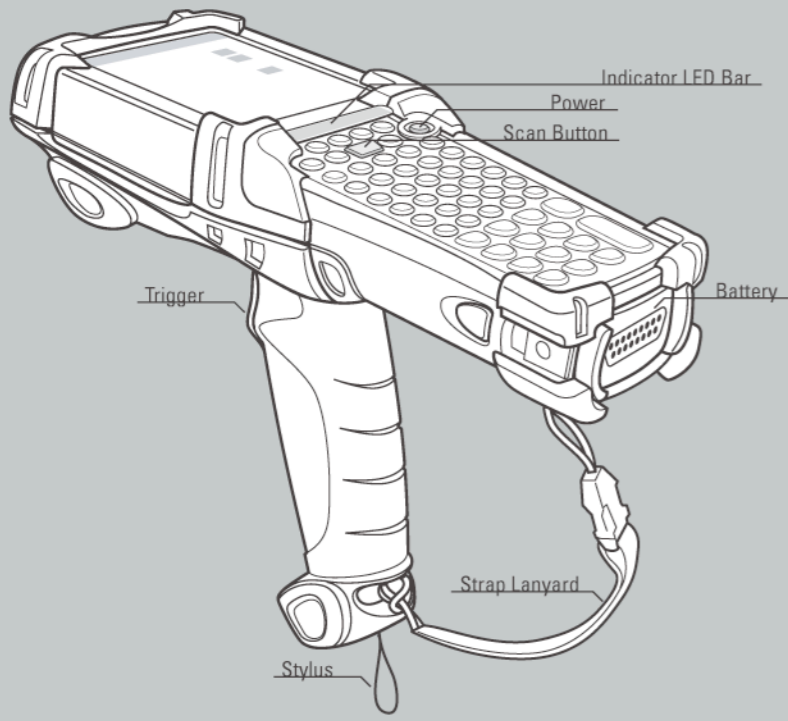
**Single Slot Serial Cradle**



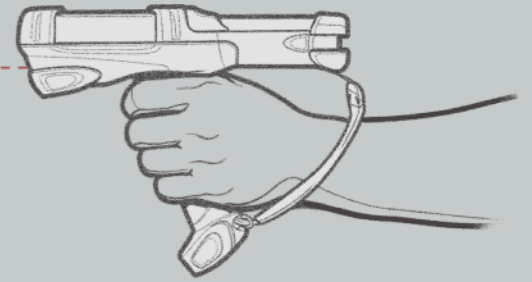
**Four Slot Cradles**

Charge-Only Cradle and Ethernet Cradle

**Optimum Scanning Positions**



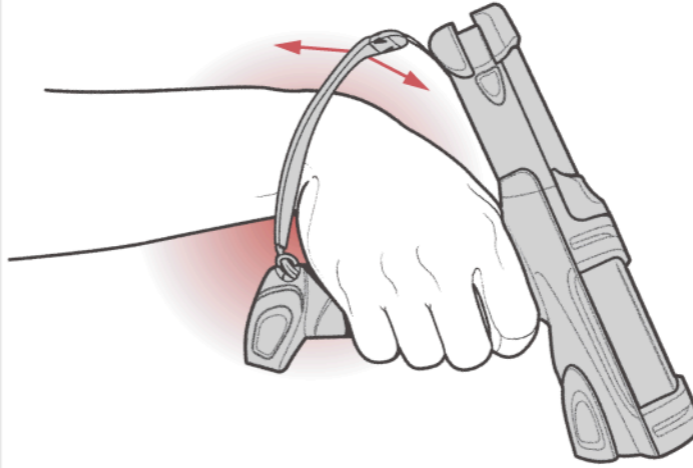
ALTERNATE LEFT AND RIGHT HANDS  
TAKING BREAKS AND TASK ROTATION RECOMMENDED



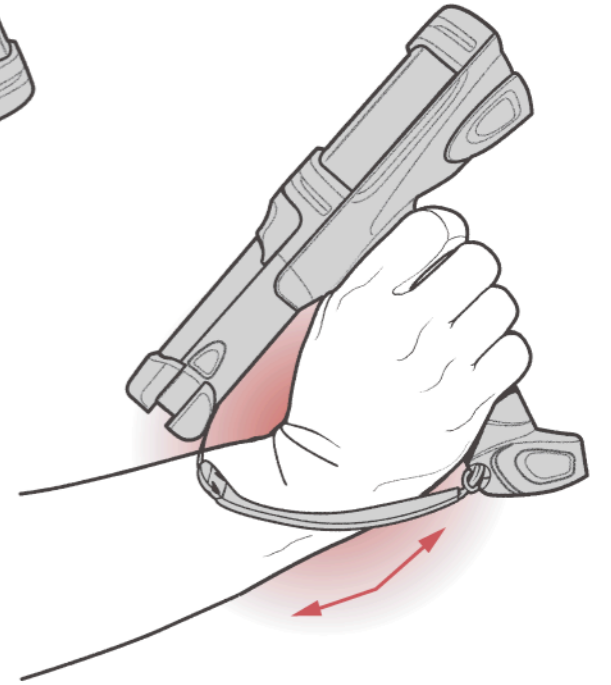
**Optimum Upright Body Posture**



**Avoid Extreme Wrist Angles**



AVOID EXTREME WRIST ANGLES



**Optimum Body Posture for Low Scanning**

ALTERNATE LEFT AND RIGHT KNEES



AVOID BENDING



AVOID REACHING



**Optimum Body Posture for High Scanning**

USE A LADDER

