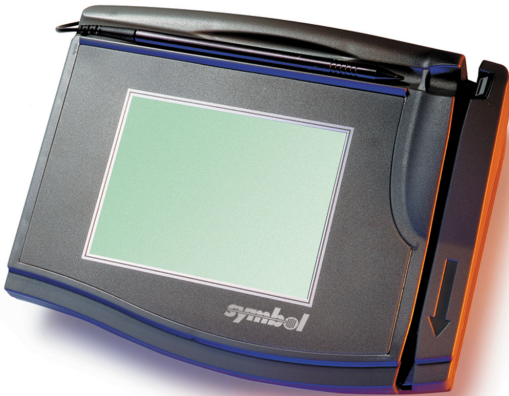


QRG

i P O S T C



symbol®



© 2003 SYMBOL TECHNOLOGIES, INC. All rights reserved.

Symbol reserves the right to make changes to any product to improve reliability, function, or design.

Symbol does not assume any product liability arising out of, or in connection with, the application or use of any product, circuit, or application described herein.

No license is granted, either expressly or by implication, estoppel, or otherwise under any patent right or patent, covering or relating to any combination, system, apparatus, machine, material, method, or process in which Symbol products might be used. An implied license exists only for equipment, circuits, and subsystems contained in Symbol products.

Symbol and the Symbol logo are registered trademarks of Symbol Technologies, Inc. Other product names mentioned in this manual may be trademarks or registered trademarks of their respective companies and are hereby acknowledged.

Symbol Technologies, Inc.
One Symbol Plaza
Holtsville, N.Y. 11742-1300
<http://www.symbol.com>

Patents

This product is covered by one or more of the following U.S. and foreign Patents:
Patent Nos. 5,912,662, 6,011,873, 6,080,001, 6,234,389, 6,193,152 B1

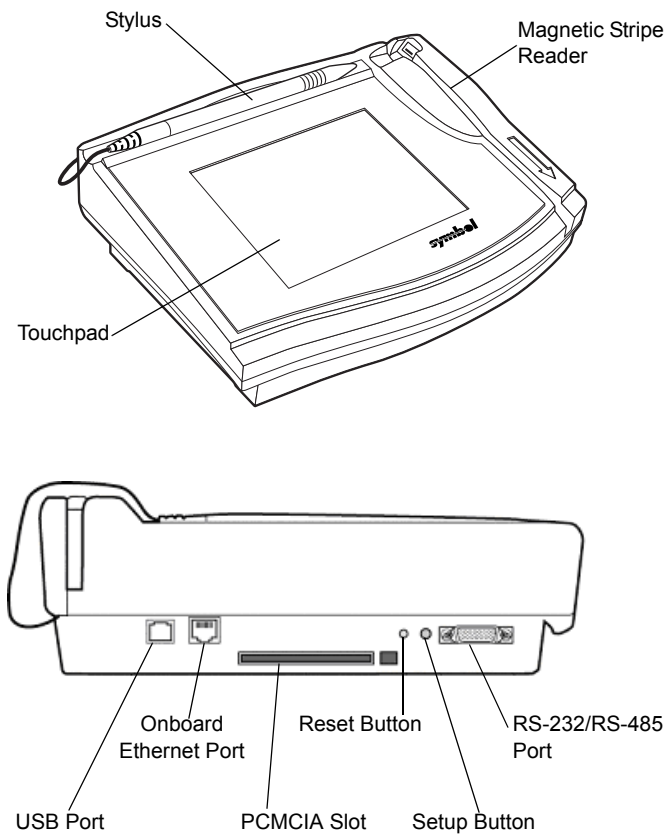
Introduction

The multifunctional iPOS TC interactive payment terminal enables electronic transactions payments and interoperates with HTML-based applications at point-of-sale. The iPOS TC features:

- 206 MHz Intel StrongARM[®] processor
- Pressure sensitive touchpad
- Color 1/4 VGA LCD
- GIF and Java applet animation support that enables display of advertisements and promotions
- Dual channel connectivity features legacy data ports (RS-232, RS-485, and USB), PCMCIA Type II slot, and onboard Ethernet
- 3-Track Magnetic Stripe Reader (MSR) for credit and debit card reading
- posPortal transaction application which enables Web-based transactions, allowing customers to select payment method, view itemized purchases, and participate in surveys
- iPOS TC Software Suite for Windows and IBM-based host environments.

For detailed information on the iPOS TC, refer to the *iPOS TC Product Reference Guide* (p/n 72-61362-xx).

Parts

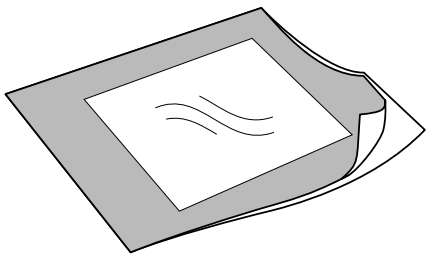


Installing the Screen Guard

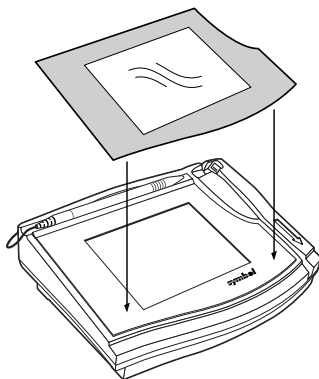
The screen guard protects the iPOS TC's screen from typical wear such as scratches and spills. Replace the screen guard when excessive scratches are visible or if a liquid is spilled onto the screen. This maintenance extends the operation of the iPOS TC.

To install the screen guard onto the iPOS TC:

1. Disconnect power from the iPOS TC.
2. Clean the surface of the terminal and touchscreen using a cloth dampened with non-abrasive glass cleaner. **Do not spray liquid directly onto the terminal.** Wait until the terminal and glass are completely dry.
3. On the back of the screen guard, remove the paper adhesive guard.

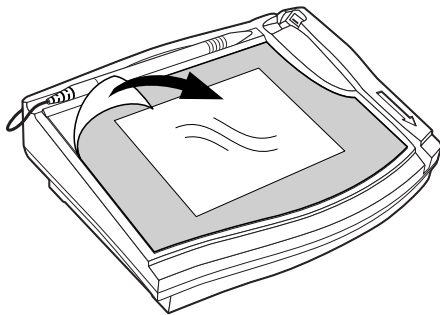


- Place the adhesive side down onto the graphical screen overlay, carefully aligning the edges. Apply gentle pressure to the screen guard to ensure proper adhesion. The screen guard can be removed and repositioned in case of misalignment.



Replacing the Screen Guard

To replace the screen guard, carefully remove the worn guard from the terminal by peeling from the upper-left corner of the guard. **Do not remove the graphical screen overlay underneath the guard.**



Follow the procedure [Installing the Screen Guard on page 3](#) to install the new screen guard.

iPOS TC Quick Start

To get the iPOS TC up and running quickly:

1. Supply power to the iPOS TC using the RS-232 cable. See the *iPOS TC Product Reference Guide* for connection instructions.
2. When the terminal displays the message:
Press SETUP Button To Run Setup
press the Setup button on the rear panel of the iPOS TC once with the stylus.

Note: Press the Setup button before the message disappears from the screen. If this occurs, power down the terminal and restart the procedure.

The *Calibration* screen appears.

3. Using the stylus, tap the cross hairs in the upper-left and lower-right corners of the screen. The *Password* screen appears.
4. Tap *Keyboard* to open the virtual keyboard, then type in the password and tap *Enter*. The default password is *password*.
5. Tap *Accept*. The password field clears when an incorrect password is entered. If this occurs, open the keyboard and re-enter it.

The Setup screen appears.

Passwd	Time	Volume	Contrast	Versions	Done
Host	IP Config	MSR	Calib.	Signature	Download

6. To exit Setup mode, tap *Done*. A screen requests confirmation to exit from the configuration application. Tap *Exit* or *Cancel*.



Regulatory Information

All Symbol devices are designed to be compliant with rules and regulations in locations they are sold and will be labeled as required.

Any changes or modifications to Symbol Technologies equipment, not expressly approved by Symbol Technologies, could void the user's authority to operate the equipment.

Radio Frequency Interference Requirements

Note: This equipment has been tested and found to comply with the limits for a Class A digital device, pursuant to Part 15 of the FCC rules. These limits are designed to provide reasonable protection against harmful interference when the equipment is operated in commercial environment. This equipment generates, uses, and can radiate radio frequency energy and, if not installed and used in accordance with the instruction manual, may cause harmful interference to radio communications. Operation of this equipment in a residential area is likely to cause harmful interference in which case the user will be required to correct the interference at his own expense.

Radio Frequency Interference Requirements - Canada

This Class A digital apparatus complies with Canadian ICES-003.

Cet appareil numérique de la classe A est conforme à la norme NMB-003 du Canada.

Q u i c k R e f e r e n c e

QRG

i P O S T C

Q u i c k R e f e r e n c e

Warranty

(A) Warranty Symbol Technologies (hereafter "Seller") hardware Products are warranted against defects in workmanship and materials for a period of twelve (12) months from the date of shipment, unless otherwise provided by Seller in writing, provided the Product remains unmodified and is operated under normal and proper conditions. Warranty provisions and durations on software, integrated installed systems, Product modified or designed to meet specific customer specifications ("Custom Products"), remanufactured products, and reconditioned or upgraded products, shall be as provided in the applicable Product specification in effect at the time of purchase or in the accompanying software license.

(B) Spare Parts Spare parts (i.e. parts, components, or subassemblies sold by Seller for use in the service and maintenance of Products) are warranted against defects in workmanship and materials for a period of thirty (30) days from the date of shipment. Spare parts may be new or originate from returned units under the conditions set forth in subsection D below.

(C) Repair of Symbol-branded hardware For repairs on Symbol-branded hardware Products under this Agreement, including repairs covered by warranty, the repair services provided are warranted against defects in workmanship and materials on the repaired component of the Product for a period of thirty (30) days from the shipment date of the repaired Product, or until the end of the original warranty period, whichever is longer.

(D) Product Service Products may be serviced or manufactured with parts, components, or subassemblies that originate from returned products and that have been tested as meeting applicable specifications for equivalent new material and Products. The sole obligation of Seller for defective hardware Products is limited to repair or replacement (at Seller's option) on a "return to service depot" basis with prior Seller authorization. Customer is responsible for shipment to the Seller and assumes all costs and risks associated with this transportation; return shipment to the Customer will be at Seller's expense. Customer shall be responsible for return shipment charges for product returned where Seller determines there is no defect ("No Defect Found"), or for product returned that Seller determines is not eligible for warranty repair. No charge will be made to Buyer for replacement parts for warranty repairs. Seller is not responsible for any damage to or loss of any software programs, data or removable data storage media, or the restoration or reinstallation of any software programs or data other than the software, if any, installed by Seller during manufacture of the Product.

(E) Original Warranty Period Except for the warranty applying solely to the repaired component arising from a repair service as provided in Section C above, the aforementioned provisions do not extend the original warranty period of any Product that had either been repaired or replaced by Seller.

(F) Warranty Provisions The above warranty provisions shall not apply to any Product (i) which has been repaired, tampered with, altered or modified, except by Seller's authorized service personnel; (ii) in which the defects or damage to the Product result from normal wear and tear, misuse, negligence, improper storage, water or other liquids, battery leakage, use of parts or accessories not approved or supplied by Symbol, or failure to perform operator handling and scheduled maintenance instructions supplied by Seller; (iii) which has been subjected to unusual physical or electrical stress, abuse, or accident, or forces or exposure beyond normal use within the specified operational and environmental parameters set forth in the applicable Product specification; nor shall the above warranty provisions apply to any expendable or consumable items, such as batteries, supplied with the Product.

EXCEPT FOR THE WARRANTY OF TITLE AND THE EXPRESS WARRANTIES STATED ABOVE, SELLER DISCLAIMS ALL WARRANTIES ON PRODUCTS FURNISHED HEREUNDER INCLUDING ALL IMPLIED WARRANTIES OF MERCHANTABILITY AND FITNESS FOR A PARTICULAR USE. ANY IMPLIED WARRANTIES THAT MAY BE IMPOSED BY LAW ARE LIMITED IN DURATION TO THE LIMITED WARRANTY PERIOD. SOME STATES OR COUNTRIES DO NOT ALLOW A LIMITATION ON HOW LONG AN IMPLIED WARRANTY LASTS OR THE EXCLUSION OR LIMITATION OF INCIDENTAL OR CONSEQUENTIAL DAMAGES FOR CONSUMER PRODUCTS. IN SUCH STATES OR COUNTRIES, FOR SUCH PRODUCTS, SOME EXCLUSIONS OR LIMITATIONS OF THIS LIMITED WARRANTY MAY NOT APPLY.

The stated express warranties are in lieu of all obligations or liabilities on the part of Seller for damages, including but not limited to, special, indirect or consequential damages arising out of or in connection with the use or performance of the Product or service. Seller's liability for damages to Buyer or others resulting from the use of any Product or service furnished hereunder shall in no way exceed the purchase price of said Product or the fair market value of said service, except in instances of injury to persons or property.

Service Information

Before you use the unit, it must be configured to operate in your facility's network and run your applications.

If you have a problem running your unit or using your equipment, contact your facility's Technical or Systems Support. If there is a problem with the equipment, they will contact the Symbol Support Center:

United States ¹	1-800-653-5350 1-631-738-2400	Canada	905-629-7226
United Kingdom	0800 328 2424	Asia/Pacific	+65-6796-9600
Australia	1-800-672-906	Austria/Österreich	1-505-5794-0
Denmark/Danmark	7020-1718	Finland/Suomi	9 5407 580
France	01-40-96-52-21	Germany/Deutschland	6074-49020
Italy/Italia	2-484441	Mexico/México	5-520-1835
Netherlands/Nederland	315-271700	Norway/Norge	+47 2232 4375
South Africa	11-8095311	Spain/España	91 324 40 00 Inside Spain
Sweden/Sverige	84452900		+34 91 324 40 00 Outside Spain
Latin America Sales Support	1-800-347-0178 Inside US +1-954-255-2610 Outside US		
Europe/Mid-East Distributor Operations	Contact local distributor or call +44 118 945 7360		

¹Customer support is available 24 hours a day, 7 days a week.

For the latest version of this guide go to:

<http://www.symbol.com/manuals>.



72-61344-01
Revision A — March 2003