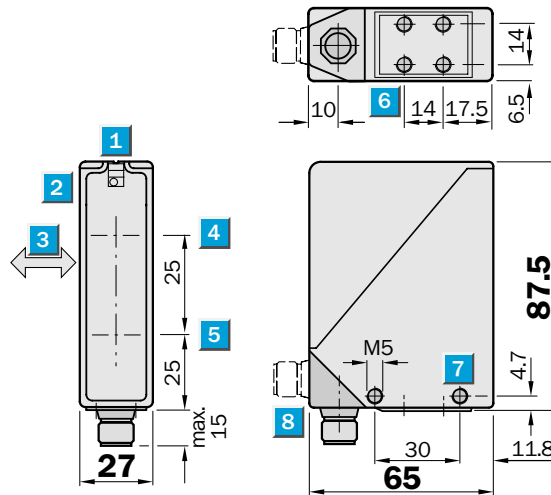


	Scanning distance 150...600 mm
	Scanning distance 300...2000 mm
Photoelectric reflex switches	

- Infrared light
- Adjustable background suppression
- Explosion protection EEx ia IIC T6
- Plug rotatable by 90°
- Terminal chamber

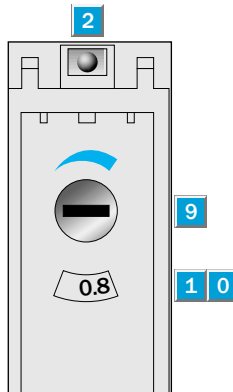
Dimensional drawing



Adjustments possible

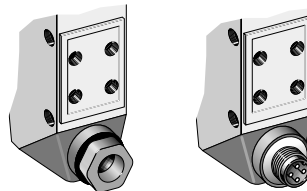
WT 24-X 2101
WT 24-X 4101
WT 24-X 4601

- 1 Alignment sight
- 2 LED signal strength indicator
- 3 Standard direction of the material being scanned
- 4 Centre of transmitter's optical axis
- 5 Centre of receiver's optical axis
- 6 M5 threaded mounting hole – 8 mm deep
- 7 M5 threaded mounting hole
- 8 PG 9 cable gland or M 12 plug, rotatable
- 9 Scanning distance adjustment
- 1 0 Scanning distance indicator

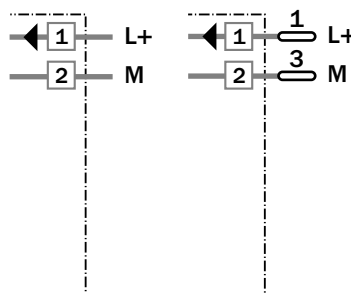


Connection types

WT 24-X 2101	WT 24-X 4101
	WT 24-X 4601



PG 9, terminals	4-pin, M 12
-----------------	-------------



Accessories	page
Cable receptacles	496
Mounting brackets	510
Power supply units	564

Technical data		WT 24-	X 2101	X 4101	X 4601
Scanning distance	300...2000 mm, adjustable				
	150...600 mm, adjustable				
Light source¹⁾, light type	LED, infrared light				
Supply voltage V_S²⁾	8.2 V DC (5...13.5 V) ³⁾				
Ripple ⁴⁾	0.4 V _{SS}				
Terminal capacitance	≤ 15 nF				
Terminal inductance	≤ 75 μH				
Current consumption⁵⁾					
Light beam unbroken	≥ 2.2 mA				
Light beam broken	≤ 1 mA				
Switching output	Control current dependent on switching state (to NAMUR EN 50227)				
Switching mode	Light-switching				
Response time ⁶⁾	≤ 10 ms				
Max. switching frequency ⁷⁾	50/s				
Connection types	Plug				
	Terminal connection				
Approval	PTB No. Ex97 D2034				
VDE protection class⁸⁾	□				
Circuit protection⁹⁾	A, C				
Enclosure rating	IP 65				
Ambient temperature T_A	Operation -20 °C...+50 °C				
	Storage -25 °C...+70 °C				
Weight	Approx. 330 g				
Housing material	Zinc die-cast housing				

1) Average service life 100,000 h at T_A = +25 °C

2) Supply with disconnecter device EN 2 Ex

3) Limit values

4) May not exceed or fall short of V_S tolerances

5) Without load

6) Signal transit time with resistive load

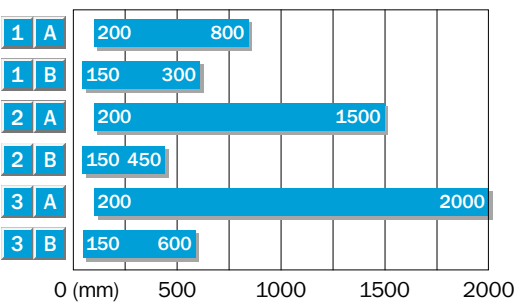
7) With light/dark ratio 1:1

8) Reference voltage 50 V DC

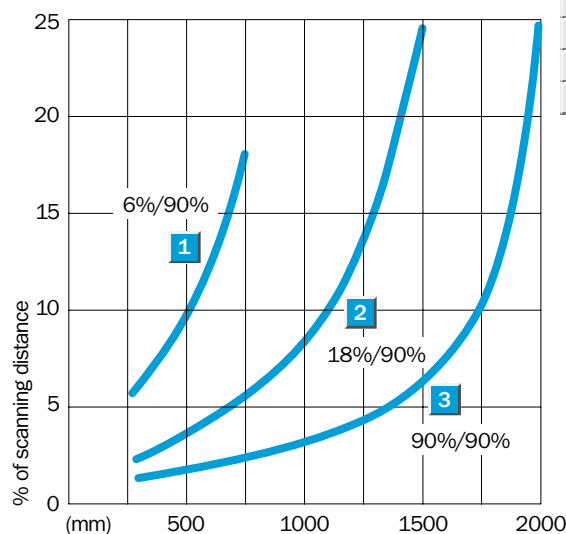
9) A = V_S connections reverse-polarity protected

C = Interference pulse suppression

Scanning distance



1	Scanning distance on black, 6 % remission
2	Scanning distance on grey, 18 % remission
3	Scanning distance on white, 90 % remission
A	WT 24-X 2101/X 4101
B	WT 24-X 4601



Order information

Type	Part No.
WT 24-X 2101	1 011 974
WT 24-X 4101	1 011 973
WT 24-X 4601	1 013 120