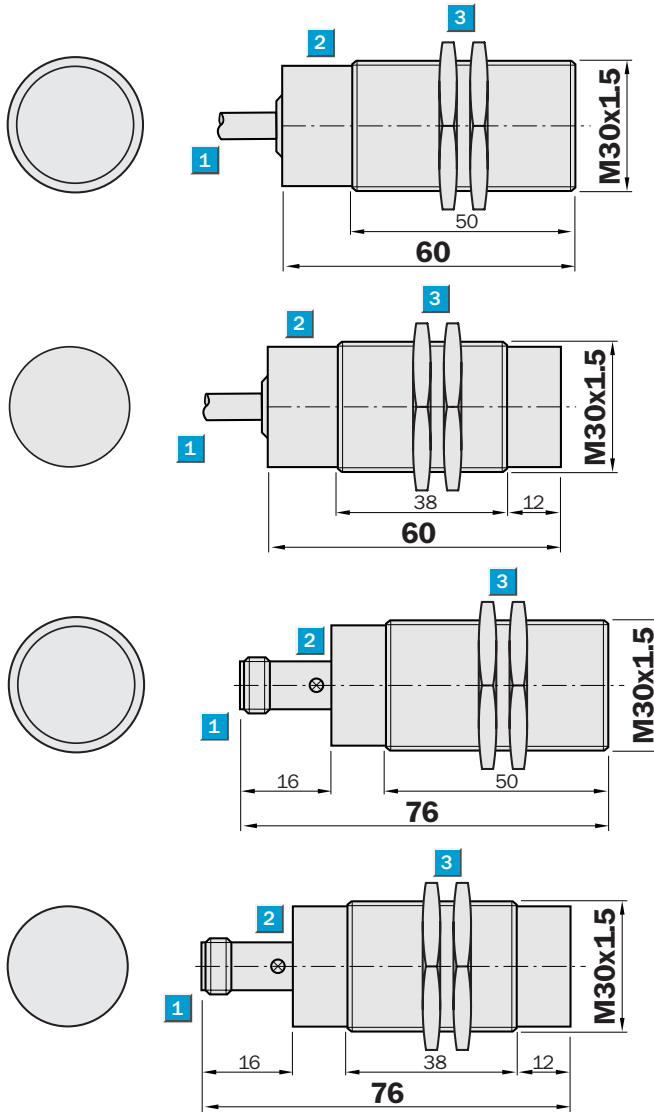


Sensing range
10 / 15 mm

Inductive sensor

- High switching frequency
- Short-circuit protection (pulsed)
- Robust brass housing, nickel-plating with fine thread
M30 x 1.5 mm
- Enclosure rating IP 67

Dimensional drawing

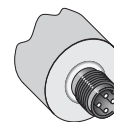
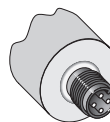
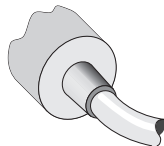


- 1 Connection
- 2 Display LED
- 3 Fastening nuts (2 x); width across 36, metal



Connection type

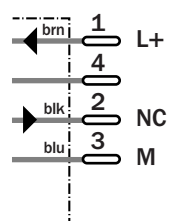
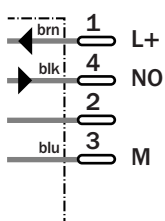
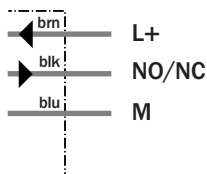
IM30-10BNS-ZW1	IM30-10BNS-ZC1	IM30-10BPO-ZC1
IM30-10BPS-ZW1	IM30-10BPS-ZC1	
IM30-15NNS-ZW1	IM30-15NNS-ZC1	
IM30-15NPS-ZW1	IM30-15NPS-ZC1	
IM30-15NPO-ZW1		



3 x 0.5 mm²

M12, 4-pin

M12, 4-pin



See chapter Accessories
Connector, M12, 4-pin
Mounting systems

Technical data		IM30-	10BNS-ZW1	10BPS-ZW1	10BNS-ZC1	10BPO-ZC1	10BPS-ZC1	15NNS-ZW1	15NPS-ZW1	15NPO-ZW1	15NNS-ZC1	15NPS-ZC1
Sensing range S_n	15 mm											
	10 mm											
Electrical configuration	DC 3-wire											
Supply voltage V_s	DC 10 ... 30 V											
Ripple V_{pp}	$\leq 10\%$ ¹⁾											
Voltage drop V_d	$\leq 1\text{ V}$ ²⁾											
Current consumption	$\leq 20\text{ mA}$ ³⁾											
Continuous current I_a	$\leq 400\text{ mA}$											
Time delay before availability t_v	$\leq 100\text{ ms}$											
Hysteresis H (of s_r)	2 ... 10 %											
Repeatability R	$\leq 2\%$ (U_b and T_a constant) ⁴⁾											
Temperature drift, of s_r	$\pm 10\%$											
EMC	According to EN 60 947-5-2											
Switching output	PNP											
	NPN											
Output function	Normally open											
	Normally closed											
Installation	Non-flush											
	Flush											
Connection types	Plug, M12, 4-pin											
	Cable, PVC, 2 m											
Enclosure rating	IP 67 ⁵⁾											
Max. switching frequency	200 Hz											
Dimensions	M30 x 1.5 ⁶⁾											
Short-circuit protection	✓ ⁷⁾											
Reverse polarity protection	✓											
Power-up pulse suppression	✓											
Shock / vibration stress	30 g, 11 ms / 10 ... 55 Hz, 1 mm											
Ambient temperature T_a	-25 °C ... +70 °C											
Housing material	Brass nickel-plated, plastic											
Tightening material	60 Nm											

¹⁾ of U_b
²⁾ at I_a max

³⁾ without load
⁴⁾ of s_r

⁵⁾ according to EN 60 529
⁶⁾ thread diameter x pitch (mm)

⁷⁾ (pulsed)

Order information

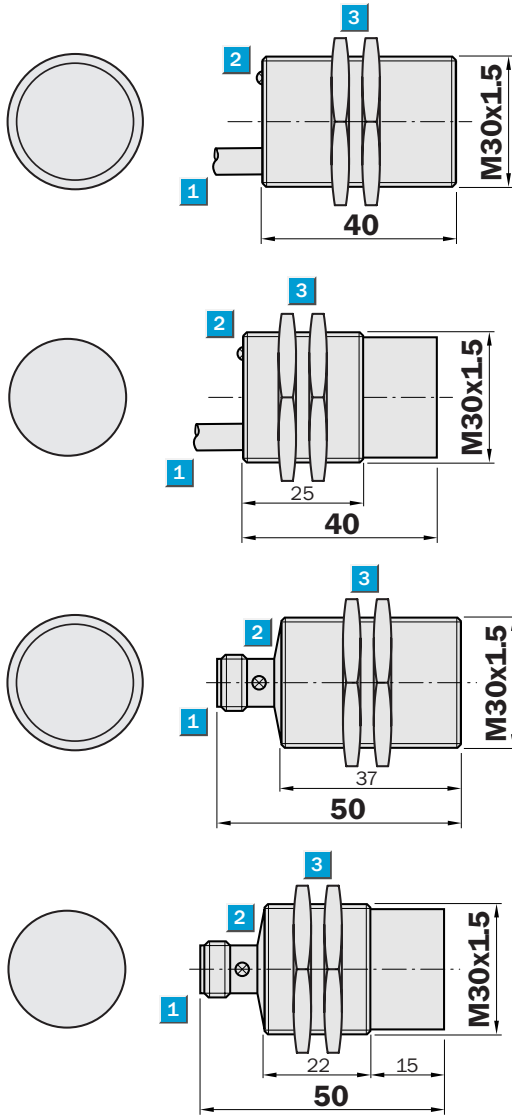
Type	Order no.
IM30-10BNS-ZW1	6 020 275
IM30-10BPS-ZW1	6 020 274
IM30-10BNS-ZC1	6 020 279
IM30-10BPO-ZC1	6 020 280
IM30-10BPS-ZC1	6 020 278
IM30-15NNS-ZW1	6 020 283
IM30-15NPS-ZW1	6 020 282
IM30-15NPO-ZW1	6 020 284
IM30-15NNS-ZC1	6 020 287
IM30-15NPS-ZC1	6 020 286

Sensing range
10 / 15 mm

Inductive sensor

- Short-circuit protection (pulsed)
- Robust brass housing, nickel-plating with fine thread M30 x 1.5 mm
- Enclosure rating IP 67
- High switching frequency

Dimensional drawing

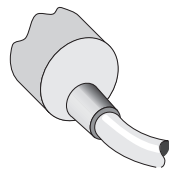


- 1 Connection
- 2 Display LED
- 3 Fastening nuts (2 x); width across 36, metal

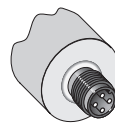
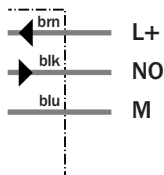


Connection type

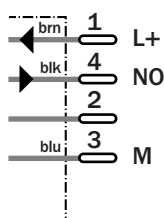
IM30-10BNS-ZUK	IM30-10BNS-ZCK
IM30-10BPS-ZUK	IM30-10BPS-ZCK
IM30-15NPS-ZUK	IM30-15NNS-ZCK
IM30-15NNS-ZUK	IM30-15NPS-ZCK



3 x 0.5 mm²



M12, 4-pin



See chapter Accessories
Connector, M12, 4-pin
Mounting systems

Technical data		IM30-	10BNS-ZUK	10BPS-ZUK	10BNS-ZCK	10BPS-ZCK	15NPS-ZUK	15NNS-ZUK	15NNS-ZCK	15NPS-ZCK		
Sensing range S_n	15 mm											
	10 mm											
Electrical configuration	DC 3-wire											
Supply voltage V_s	DC 10 ... 30 V											
Ripple V_{pp}	$\leq 10\%$ ¹⁾											
Voltage drop V_d	$\leq 1.5\text{ V}$ ²⁾											
Current consumption	$\leq 10\text{ mA}$ ³⁾											
Continuous current I_a	$\leq 300\text{ mA}$											
Time delay before availability t_v	$\leq 15\text{ ms}$											
Hysteresis H (of s_r)	1 ... 10 %											
Repeatability R	$\leq 3\%$ (U_b and T_a constant) ⁴⁾											
Temperature drift, of s_r	$\pm 10\%$											
EMC	According to EN 60 947-5-2											
Switching output	PNP											
	NPN											
Output function	Normally open											
Installation	Non-flush											
	Flush											
Connection types	Plug, M12, 4-pin											
	Cable, PVC/PUR, 2 m											
Enclosure rating	IP 67 ⁵⁾											
Max. switching frequency	500 Hz											
Dimensions	M30 x 1.5 ⁶⁾											
Wire-break protection	✓											
Short-circuit protection	✓ ⁷⁾											
Reverse polarity protection	✓											
Power-up pulse suppression	✓											
Shock / vibration stress	30 g, 11 ms / 10 ... 55 Hz, 1 mm											
Ambient temperature T_a	-25 °C ... +70 °C											
Housing material	Brass nickel-plated, plastic											
Tightening material	50 Nm											

¹⁾ of U_b
²⁾ at I_a max

³⁾ without load
⁴⁾ of s_r

⁵⁾ according to EN 60 529
⁶⁾ thread diameter x pitch (mm)

⁷⁾ (pulsed)

Order information

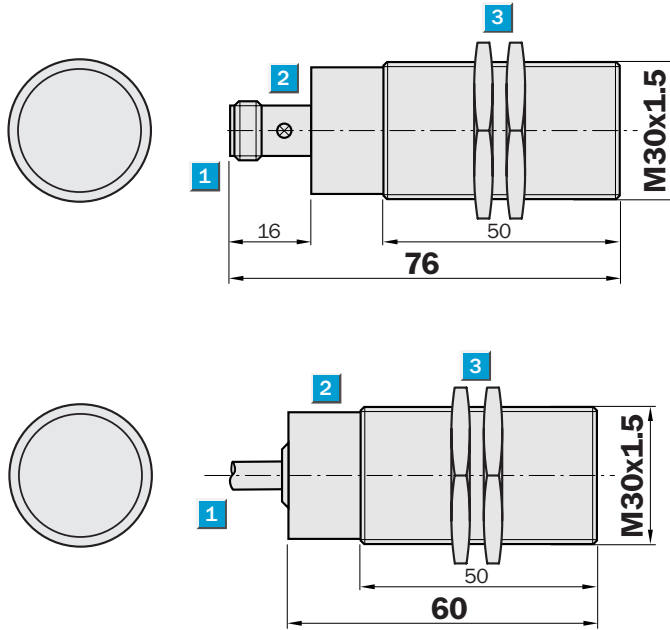
Type	Order no.
IM30-10BNS-ZUK	1 017 446
IM30-10BPS-ZUK	1 017 434
IM30-10BNS-ZCK	1 017 448
IM30-10BPS-ZCK	1 017 436
IM30-15NPS-ZUK	1 017 435
IM30-15NNS-ZUK	1 017 447
IM30-15NNS-ZCK	1 017 449
IM30-15NPS-ZCK	1 017 437

Sensing range
15 mm

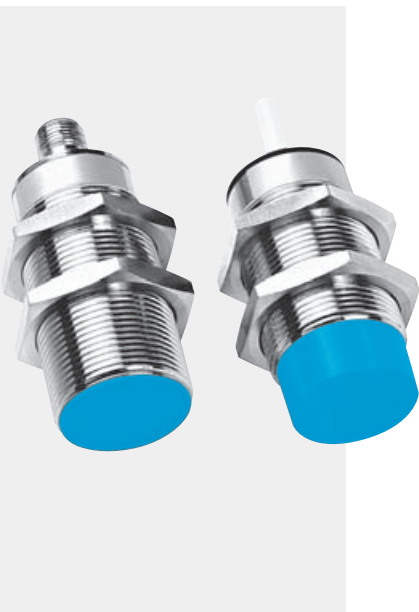
Inductive sensor

- Enhanced sensing range
- High switching frequency
- Short-circuit protection (pulsed)
- Robust brass housing, nickel-plated with fine thread M30 x 1.5 mm
- Enclosure rating IP 67

Dimensional drawing

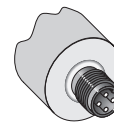
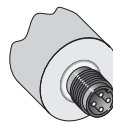
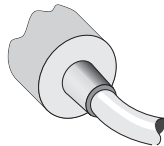


- 1 Connection
- 2 Display LED
- 3 Fastening nuts (2 x); width across 36, metal



Connection type

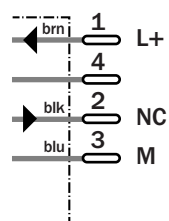
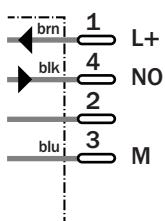
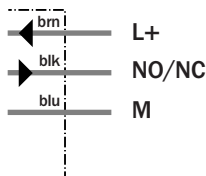
IM30-15BNS-ZW1	IM30-15BNS-ZC1	IM30-15BPO-ZC1
IM30-15BPO-ZW1	IM30-15BPS-ZC1	
IM30-15BPS-ZW1		



3 x 0.5 mm²

M12, 4-pin

M12, 4-pin



See chapter Accessories
Connector, M12, 4-pin
Mounting systems

Technical data		IM30-	15BNS-ZW1	15BPO-ZW1	15BPS-ZW1	15BNS-ZC1	15BPO-ZC1	15BPS-ZC1				
Sensing range S_n	15 mm											
Electrical configuration	DC 3-wire											
Supply voltage V_s	DC 10 ... 30 V											
Ripple V_{pp}	$\leq 10\%$ ¹⁾											
Voltage drop V_d	$\leq 1\text{ V}$ ²⁾											
Current consumption	$\leq 10\text{ mA}$ ³⁾											
Continuous current I_a	$\leq 400\text{ mA}$											
Time delay before availability t_v	$\leq 100\text{ ms}$											
Hysteresis H (of s_r)	2 ... 15 %											
Repeatability R	$\leq 5\%$ (U_b and T_a constant) ⁴⁾											
Temperature drift, of s_r	$\pm 10\%$											
EMC	According to EN 60 947-5-2											
Switching output	PNP											
	NPN											
Output function	Normally open											
	Normally closed											
Installation	Flush ⁵⁾											
Connection types	Plug, M12, 4-pin											
	Cable, PVC, 2 m											
Enclosure rating	IP 67 ⁶⁾											
Max. switching frequency	150 Hz											
Dimensions	M30 x 1.5 ⁷⁾											
Short-circuit protection	✓ ⁸⁾											
Reverse polarity protection	✓											
Power-up pulse suppression	✓											
Shock / vibration stress	30 g, 11 ms / 10 ... 55 Hz, 1 mm											
Ambient temperature T_a	-25 °C ... +70 °C											
Housing material	Brass nickel-plated, plastic											
Tightening material	60 Nm											

¹⁾ of U_b
²⁾ at I_a max

³⁾ without load
⁴⁾ of s_r

⁵⁾ see installation notes
⁶⁾ according to EN 60 529

⁷⁾ thread diameter x pitch (mm)
⁸⁾ (pulsed)

Order information

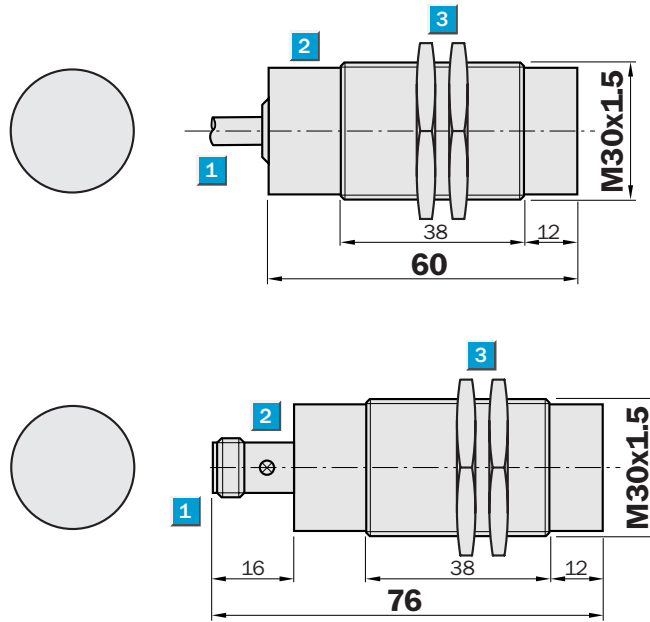
Type	Order no.
IM30-15BNS-ZW1	7 900 142
IM30-15BPO-ZW1	7 900 143
IM30-15BPS-ZW1	7 900 141
IM30-15BNS-ZC1	7 900 146
IM30-15BPO-ZC1	7 900 147
IM30-15BPS-ZC1	7 900 145

Sensing range
20 mm

Inductive sensor

- Enhanced sensing range
- High switching frequency
- Short-circuit protection (pulsed)
- Robust brass housing, nickel-plated with fine thread M30 x 1.5 mm
- Enclosure rating IP 67

Dimensional drawing

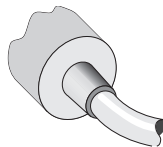


- 1 Connection
- 2 Display LED
- 3 Fastening nuts (2 x); width across 36, metal

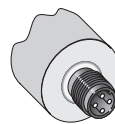
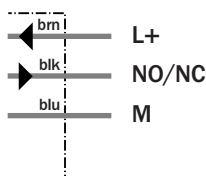


Connection type

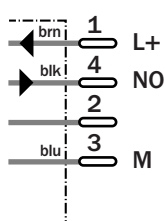
IM30-20NNS-ZW1	IM30-20NNS-ZC1
IM30-20NPO-ZW1	IM30-20NPS-ZC1
IM30-20NPS-ZW1	



3 x 0.5 mm²



M12, 4-pin



See chapter Accessories
Connector, M12, 4-pin
Mounting systems

Technical data		IM30-	20NNS-ZW1	20NPO-ZW1	20NPS-ZW1	20NNS-ZC1	20NPS-ZC1						
Sensing range S_n	20 mm												
Electrical configuration	DC 3-wire												
Supply voltage V_s	DC 10 ... 30 V												
Ripple V_{pp}	$\leq 10\%$ ¹⁾												
Voltage drop V_d	$\leq 1\text{ V}$ ²⁾												
Current consumption	$\leq 10\text{ mA}$ ³⁾												
Continuous current I_a	$\leq 400\text{ mA}$												
Time delay before availability t_v	$\leq 100\text{ ms}$												
Hysteresis H (of s_r)	2 ... 15 %												
Repeatability R	$\leq 5\%$ (U_b and T_a constant) ⁴⁾												
Temperature drift, of s_r	$\pm 10\%$												
EMC	According to EN 60 947-5-2												
Switching output	PNP												
	NPN												
Output function	Normally open												
	Normally closed												
Installation	Non-flush												
Connection types	Plug, M12, 4-pin												
	Cable, PVC, 2 m												
Enclosure rating	IP 67 ⁵⁾												
Max. switching frequency	150 Hz												
Dimensions	M30 x 1.5 ⁶⁾												
Short-circuit protection	✓ ⁷⁾												
Reverse polarity protection	✓												
Power-up pulse suppression	✓												
Shock / vibration stress	30 g, 11 ms / 10 ... 55 Hz, 1 mm												
Ambient temperature T_a	-25 °C ... +70 °C												
Housing material	Brass nickel-plated, plastic												
Tightening material	60 Nm												

¹⁾ of U_b
²⁾ at I_a max

³⁾ without load
⁴⁾ of s_r

⁵⁾ according to EN 60 529
⁶⁾ thread diameter x pitch (mm)

⁷⁾ (pulsed)

Order information

Type	Order no.
IM30-20NNS-ZW1	7 900 154
IM30-20NPO-ZW1	7 900 155
IM30-20NPS-ZW1	7 900 153
IM30-20NNS-ZC1	7 900 158
IM30-20NPS-ZC1	7 900 157

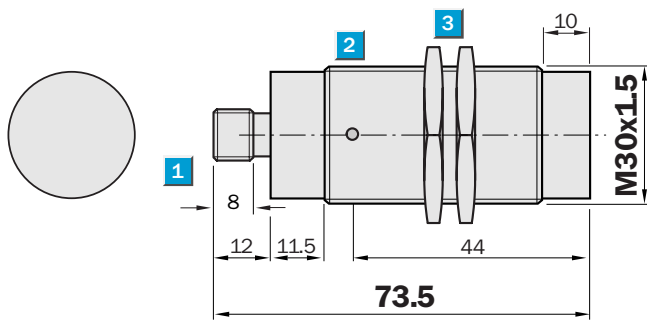
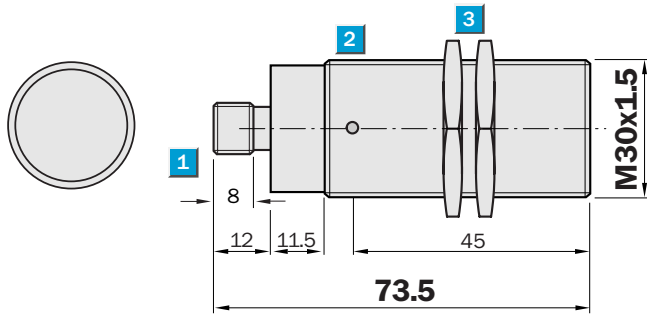
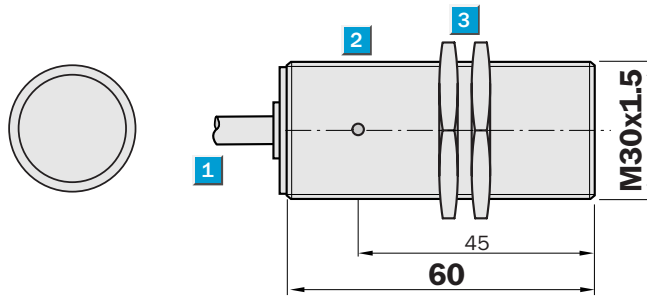
Sensing range
22 / 40 mm

Inductive sensor

- Triple sensing range
- Installation quasi flush or non-flush in metal
- Short-circuit protection (pulsed)
- Robust brass housing, chrome-plated with fine thread
- M30 x 1 mm
- Enclosure rating IP 67



Dimensional drawing



- 1 Connection
- 2 Display LED
- 3 Fastening nuts (2 x); width across 36, metal

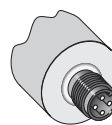
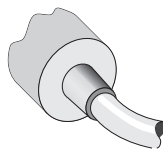


Connection type

IM30-22BNS-ZW1

IM30-22BPS-ZC1

IM30-40NPS-ZC1

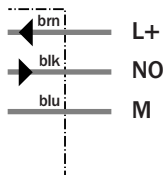


See chapter Accessories

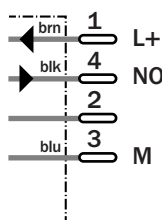
Connector, M12, 4-pin

Mounting systems

3 x 0.34 mm²



M12, 4-pin



Technical data		IM30-	22BNS-ZW1	22BPS-ZC1	40NPS-ZC1						
Sensing range S_n	40 mm										
	22 mm										
Electrical configuration	DC 3-wire										
Supply voltage V_s	DC 10 ... 30 V										
Ripple V _{pp}	≤ 20 % ¹⁾										
Voltage drop V _d	≤ 2 V ²⁾										
Current consumption	≤ 10 mA ³⁾										
Continuous current I_a	≤ 200 mA										
Time delay before availability t _v	≤ 100 ms										
Hysteresis H (of s _r)	1 ... 15 %										
Repeatability R	≤ 5 % (U _b and T _a constant) ⁴⁾										
Temperature drift, of s _r	± 10 %										
EMC	According to EN 60 947-5-2										
Switching output	PNP										
	NPN										
Output function	Normally open ⁵⁾										
Installation	Non-flush										
	Quasi-flush ⁶⁾										
Connection types	Plug, M12, 4-pin										
	Cable, PVC, 2 m										
Enclosure rating	IP 67 ⁷⁾										
Max. switching frequency	100 Hz										
	200 Hz										
Dimensions	M30 x 1.5 ⁸⁾										
Short-circuit protection	✓ ⁹⁾										
Reverse polarity protection	✓										
Power-up pulse suppression	✓										
Shock / vibration stress	30 g, 11 ms / 10 ... 55 Hz, 1 mm										
Ambient temperature T _a	-25 °C ... +70 °C										
Housing material	Brass, chrome-plated, plastic										
Tightening material	60 Nm										

¹⁾ of U_b
²⁾ at I_a max
³⁾ without load

⁴⁾ of s_r
⁵⁾ other output functions available on request

⁶⁾ when mounting in conductible materials the sensors have to be installed with a distance A to the surface. A Steel, metal =

6 mm / A Stainless steel = 2 mm
⁷⁾ according to EN 60 529
⁸⁾ thread diameter x pitch (mm)
⁹⁾ (pulsed)

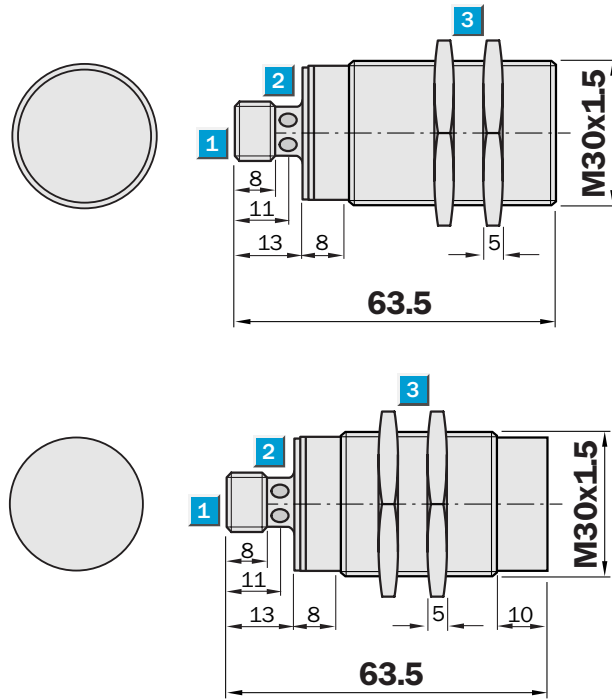
Order information	
Type	Order no.
IM30-22BNS-ZW1	6 027 520
IM30-22BPS-ZC1	6 027 521
IM30-40NPS-ZC1	6 027 522

Sensing range
20 / 40 mm

Inductive sensor

- Triple sensing range
- Installation flush or non-flush in metal
- Robust stainless steel V4A, 316L one piece housing, with fine thread M30 x 1.5 mm
- Enclosure rating IP 69K
- Especially suitable for use in the food and beverage sector

Dimensional drawing

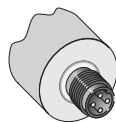


- 1 Connection
- 2 Display LED
- 3 Fastening nuts (2 x); width across 36, stainless steel V4A, 316L



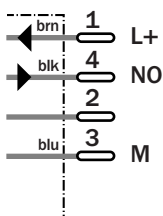
Connection type

- IM30-20BNS-NC1
- IM30-20BPS-NC1
- IM30-40NNS-NC1
- IM30-40NPS-NC1



See chapter Accessories
Connector, M12, 4-pin

M12, 4-pin



Technical data		IM30-	20BNS-NC1	20BPS-NC1	40NNS-NC1	40NPS-NC1						
Sensing range S_n	40 mm											
	20 mm											
Electrical configuration	DC 3-wire											
Supply voltage V_s	DC 10 ... 30 V											
Ripple V_{pp}	$\leq 20\%$ ¹⁾											
Voltage drop V_d	$\leq 2\text{ V}$ ²⁾											
Current consumption	$\leq 15\text{ mA}$ ³⁾											
Continuous current I_a	$\leq 200\text{ mA}$											
Time delay before availability t_v	$\leq 80\text{ ms}$											
Hysteresis H (of s_r)	1 ... 15 %											
Repeatability R	$\leq 5\%$ (U_b and T_a constant) ⁴⁾											
Temperature drift, of s_r	$\pm 10\%$											
EMC	According to EN 60 947-5-2											
Switching output	PNP											
	NPN											
Output function	Normally open ⁵⁾											
Installation	Non-flush ⁶⁾											
	Flush											
Connection types	Plug, M12, 4-pin											
Enclosure rating	IP 69K											
Max. switching frequency	100 Hz											
Dimensions	M30 x 1.5 ⁷⁾											
Short-circuit protection	✓ ⁸⁾											
Reverse polarity protection	✓											
Power-up pulse suppression	✓											
Shock / vibration stress	30 g, 11 ms / 10 ... 55 Hz, 1 mm											
Ambient temperature T_a	-25 °C ... +70 °C											
Housing material	Stainless steel V4A, 316L											
Tightening material	150 Nm											

¹⁾ of U_b
²⁾ at I_a max

³⁾ without load
⁴⁾ of s_r

⁵⁾ other output functions available on request

⁶⁾ see installation notes
⁷⁾ thread diameter x pitch (mm)
⁸⁾ (pulsed)

Correction factors:

	Flush installation:	Non-flush installation:
Steel (ST37)	1.0	1.0
Copper	0.9	0.9
Aluminium	1.0	1.0
Brass	1.2	1.2
Stainless steel	0.5 / 0.9	- / 0.5
1 mm / 2 mm thick		

Order information

Type	Order no.
IM30-20BNS-NC1	6 027 583
IM30-20BPS-NC1	6 027 582
IM30-40NNS-NC1	6 027 585
IM30-40NPS-NC1	6 027 584

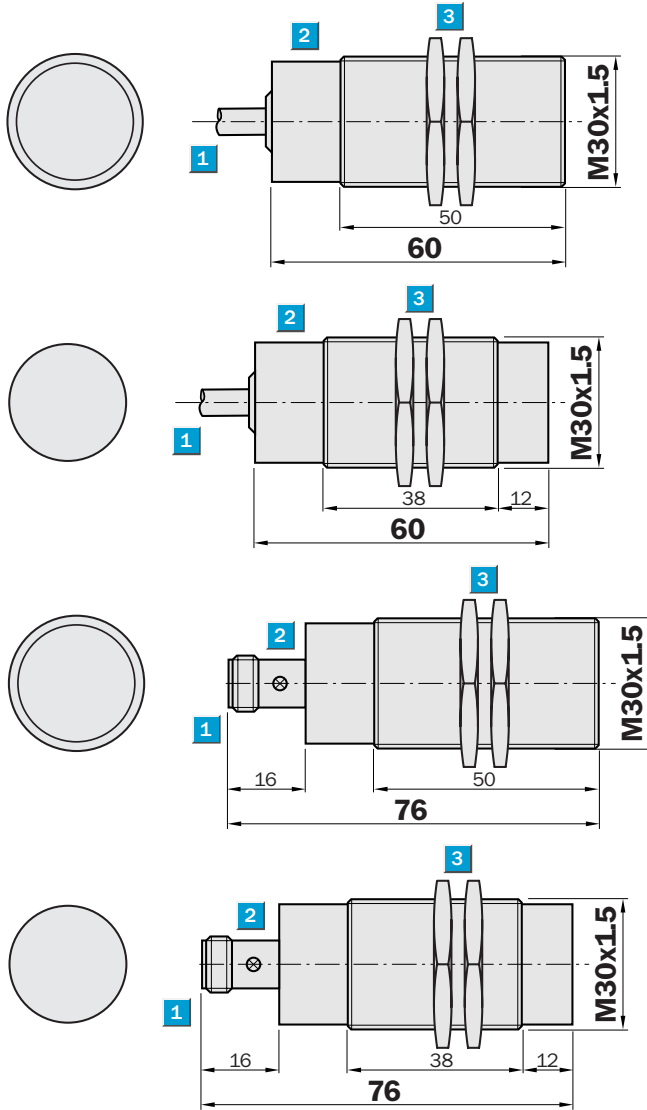
Sensing range
10 / 15 mm

Inductive sensor

- Short-circuit protection (pulsed)
- Robust brass housing, nickel-plated with fine thread M30 x 1 mm
- Enclosure rating IP 67



Dimensional drawing

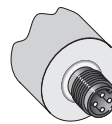
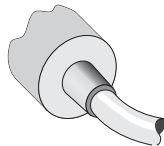


- 1 Connection
- 2 Display LED
- 3 Fastening nuts (2 x); width across 36, metal



Connection type

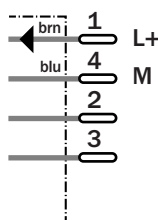
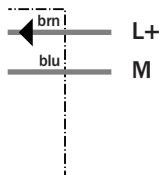
IM30-10BDS-ZW1	IM30-10BDS-ZC1
IM30-15NDS-ZW1	IM30-15NDS-ZC1



See chapter Accessories
Connector, M12, 4-pin
Mounting systems

2 x 0.34 mm²

M12, 4-pin



Technical data		IM30-	10BDS -ZW1	10BDS -ZC1	15NDS -ZW1	15NDS -ZC1						
Sensing range S_n	15 mm											
	10 mm											
Electrical configuration	DC 2-wire											
Supply voltage V_s	DC 10 ... 30 V											
Ripple V_{pp}	$\leq 10 \%$											
Voltage drop V_d	$\leq 2.8 V^1$											
Continuous current I_a	$\leq 100 mA$											
Min. load current	$\geq 3 mA$											
Residual current	$\leq 0.8 mA$											
Time delay before availability t_v	$\leq 50 ms$											
Hysteresis H (of s_r)	2 ... 10 %											
Repeatability R	$\leq 2 \%$ (U_b and T_a constant) ²⁾											
Temperature drift, of s_r	$\pm 10 \%$											
EMC	According to EN 60 947-5-2											
Output function	Normally open ³⁾											
Installation	Non-flush											
	Flush											
Connection types	Plug, M12, 4-pin											
	Cable, PVC, 2 m											
Enclosure rating	IP 67 ⁴⁾											
Max. switching frequency	150 Hz											
Dimensions	M30 x 1.5 ⁵⁾											
Short-circuit protection	✓ ⁶⁾											
Reverse polarity protection	✓											
Shock / vibration stress	30 g, 11 ms / 10 ... 55 Hz, 1 mm											
Ambient temperature T_a	-25 °C ... +70 °C											
Housing material	Brass nickel-plated, plastic											
Tightening material	60 Nm											

¹⁾ at I_a max
²⁾ of s_r

³⁾ normally closed function available on request

⁴⁾ according to EN 60 529
⁵⁾ thread diameter x pitch (mm)

⁶⁾ (pulsed)

Order information

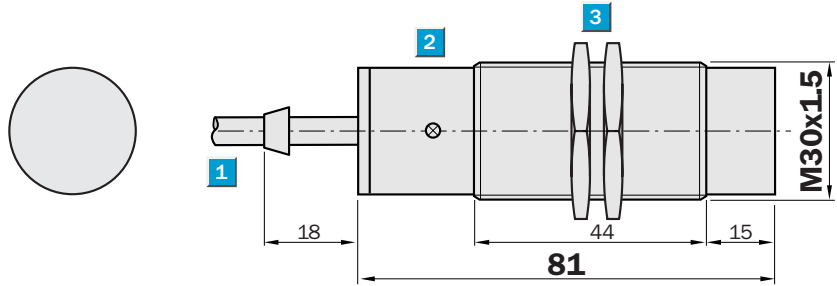
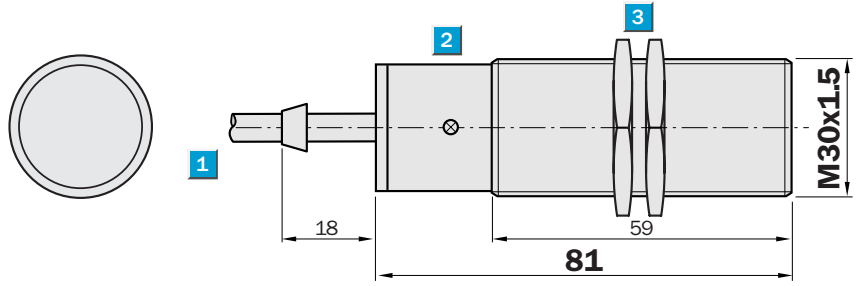
Type	Order no.
IM30-10BDS-ZW1	6 020 326
IM30-10BDS-ZC1	6 020 328
IM30-15NDS-ZW1	6 020 330
IM30-15NDS-ZC1	6 020 332

Sensing range
10 / 15 mm

Inductive sensor

- Broad supply voltage range in AC and DC
- Robust brass housing, nickel-plated, with fine thread M30 x 1.5 mm
- Enclosure rating IP 67

Dimensional drawing

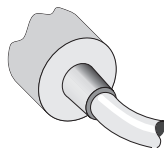


- 1 Connection
- 2 Display LED
- 3 Fastening nuts (2 x); width across 36, metal

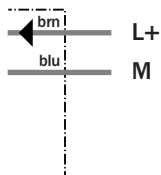


Connection type

- IM30-10BUO-ZUO
- IM30-10BUS-ZUO
- IM30-15NUO-ZUO
- IM30-15NUS-ZUO



2 x 0.5 mm²



See chapter Accessories

Mounting systems

Technical data		IM30-	10BUO-ZUO	10BUS-ZUO	15NUO-ZUO	15NUS-ZUO						
Sensing range S_n	15 mm											
	10 mm											
Electrical configuration	AC / DC 2-wire											
Supply voltage V_s	AC / DC 20 ... 250 V											
Voltage drop V_d AC / DC	≤ 6.5 V / ≤ 6 V											
Continuous current I_a	≤ 350 mA (... + 50 °C)											
	≤ 250 mA (... + 80 °C)											
	≤ 100 mA DC											
Peak current I_k	2.2 A (20 ms/0.5 Hz)											
Min. load current	5 mA											
Residual current	≤ 2.5 mA (250 V AC)											
	≤ 1.3 mA (110 V AC)											
	≤ 0.8 mA (24 V DC)											
Time delay before availability t_v	≤ 8 ms											
Hysteresis H (of s_r)	1 ... 15 %											
Repeatability R	≤ 10 % (U_b and T_a constant) ¹⁾											
Temperature drift, of s_r	± 10 %											
EMC	According to EN 60 947-5-2											
Output function	Normally open											
	Normally closed											
Installation	Non-flush											
	Flush											
Connection types	Cable, PVC/PUR, 2 m											
Enclosure rating	IP 67 ²⁾											
VDE protection class	<input type="checkbox"/>											
Max. switching frequency AC / DC	25 Hz / 30 Hz											
Dimensions	M30 x 1.5 ³⁾											
Wire-break protection	-											
Short-circuit protection	-											
Reverse polarity protection	-											
Power-up pulse suppression	✓											
Shock / vibration stress	30 g, 11 ms / 10 ... 55 Hz, 1 mm											
Ambient temperature T_a	-25 °C ... +70 °C											
Housing material	Brass nickel-plated, plastic											
Tightening material	50 Nm											

¹⁾ of s_r

²⁾ according to EN 60 529

³⁾ thread diameter x pitch (mm)

Order information

Type	Order no.
IM30-10BUO-ZUO	7 902 127
IM30-10BUS-ZUO	7 902 126
IM30-15NUO-ZUO	7 902 129
IM30-15NUS-ZUO	7 902 128

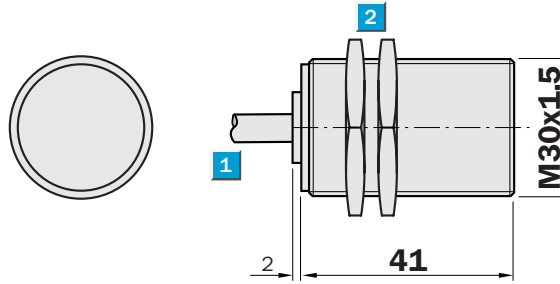
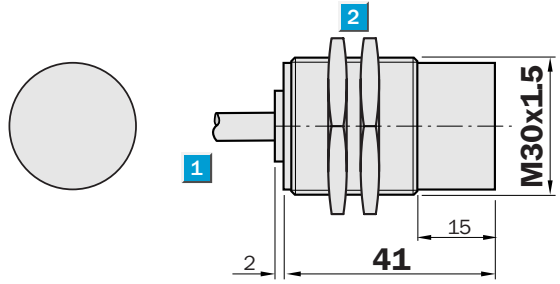
Inductive sensor, IM 30, NAMUR

Sensing range
10 / 15 mm

Inductive sensor

- NAMUR to EN 60 947-5-6
- High switching frequency
- Robust brass housing, nickel-plated, with fine thread M30 x 1.5 mm
- Classification PTB 03 ATEX 2037
- Ex II 2 G EEx ia IIC T6

Dimensional drawing

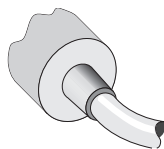


- 1 Connection
- 2 Fastening nuts (2 x); width across 36, metal

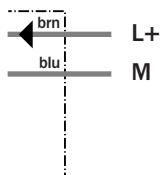


Connection type

- IM30-10B-N-ZWO
- IM30-15N-N-ZWO



2 x 0.5 mm²



See chapter Accessories

- Mounting systems
- Switching units

Technical data		IM30-10B-	N-ZW0	N-ZW0										
Sensing range S_n	15 mm													
	10 mm													
Electrical configuration	NAMUR													
Supply voltage V_s	DC 5 ... 25 V													
Rated voltage V_n	DC 8.2 V													
Power consumption, attenuated	≤ 1 mA													
Power consumption, unattenuated	≥ 2.2 mA													
Internal capacitance	≤ 240 nF													
	≤ 230 nF													
Internal inductance	≤ 100 μ H													
	≤ 130 μ H													
Cable resistance	≤ 50 Ohm													
Temperature drift, of s_r	± 10 %													
EMC	According to EN 60 947-5-2													
Switching output	Control current dependent on switching ¹⁾													
Output function	NAMUR													
Installation	Non-flush													
	Flush													
Connection types	Cable, PVC, 2 m													
Enclosure rating	IP 67 ²⁾													
Max. switching frequency	200 Hz													
	450 Hz													
Dimensions	M30 x 1.5 ³⁾													
Short-circuit protected	✓													
Reverse polarity protected	✓													
Shock / vibration stress	30 g, 11 ms / 10 ... 55 Hz, 1 mm													
Ambient temperature T_a	-25 °C ... +70 °C													
Housing material	Brass nickel-plated, plastic													
Tightening material	50 Nm													

¹⁾ according to EN 60 947-5-6

²⁾ according to EN 60 529

³⁾ thread diameter x pitch (mm)

Max. data for connecting Isolating unit EN 2 EX

or other approved isolating amplifier:

Short circuit current 1_{kmax}	50 mA
No load voltage U_0	16 V
Power loss P_{max}	75 mW

Order information

Type	Order no.
IM30-10B-N-ZW0	6 021 128
IM30-15N-N-ZW0	6 021 129