


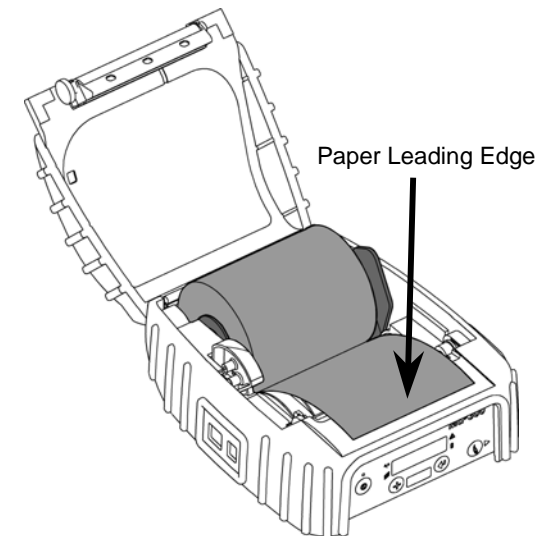
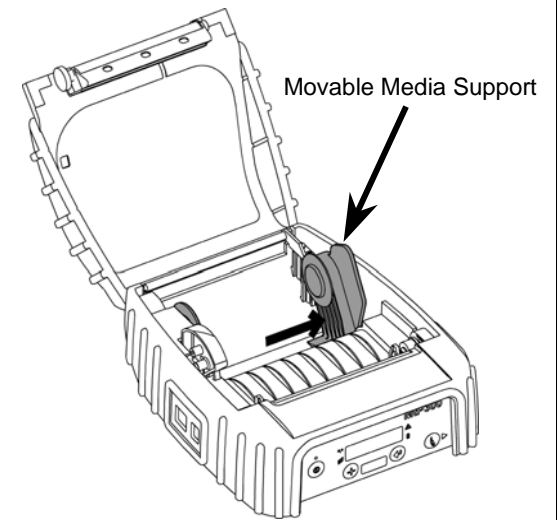
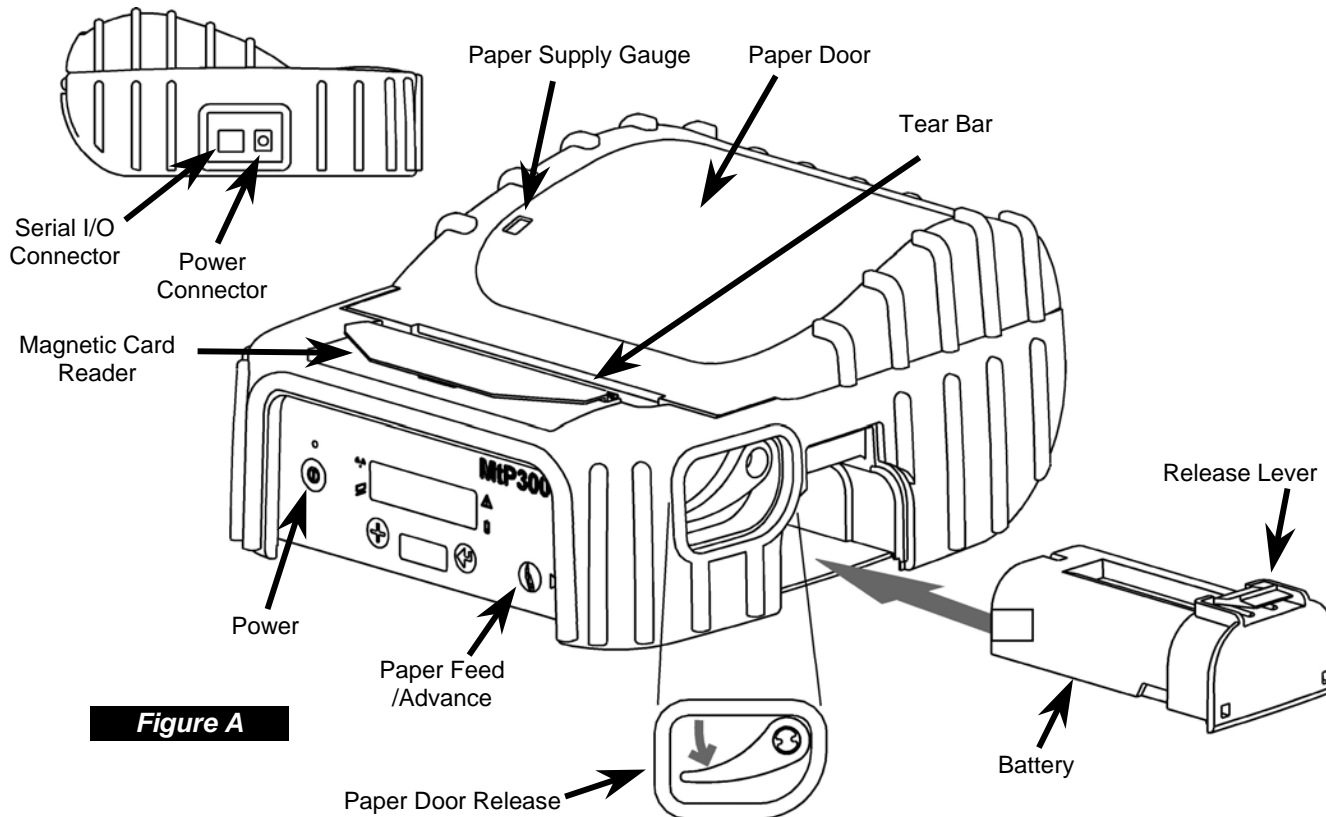


Important:

1. **You must charge the battery** for at least **2½ hours** prior to the first use.
 2. Maximum battery capacity is first reached after completing three complete charge and discharge cycles.
 3. Always use **Genuine Printek Media** to ensure optimal performance.
- **To load media:**
 - Move the Paper Door Release in the direction indicated in *Figure A* and open the Paper Door.
 - Move the media support by pressing in the area indicated by the arrow in *Figure B* and place the roll between the supports. Make sure the media rotates freely. Lay the leading edge of the media through the print head as shown in *Figure C*, and close the door firmly.
 - **To install the battery:** Slide the battery into the battery compartment until the release lever on the battery snaps into place. You may remove the battery by pressing the release lever toward the bottom of the printer and pulling the battery out of the battery compartment.
 - **To charge the battery,** connect a PrintekMobile™ power adapter (sold separately) to the appropriate power source and plug the output cable into the printer's Power Connector as shown in *Figure A*. The  Battery Indicator will turn on indicating that the battery is being charged.
 - **To perform a self test,** press and hold the  Paper Feed Button while turning on the printer with the  Power Button.

Note: For more information, refer to the *MtP300 Series Operator's Manual*. You may download this manual at www.printek.com.



Printer Setup

Many of the printer's features may be set using menus available on the front panel of the printer.

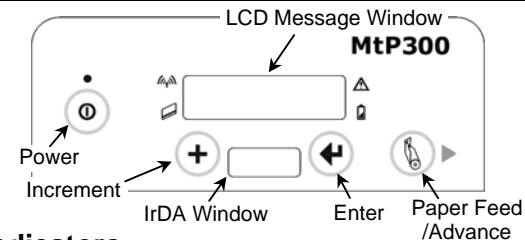
For complete details, please refer to the *MtP300 Series Operator's Manual*.

To enter the Setup Mode, press and hold the ◀ Enter Button while turning on the printer with the ⏻ Power Button. Continue to hold the ◀ Enter Button until "Menus Active" is displayed in the LCD Message Window.

While in Setup Mode, the power indicator will blink slowly. Upon entering Setup Mode, the FORMAT MENU is shown first. To advance to the INTERFACE MENU or OPTIONS MENU, press the ▶ Advance Button.

When in Setup Mode, the current menu item is shown on the top line in the LCD Message Window, and its corresponding value is shown on the bottom line. To increment the value on the bottom line to the next setting, press the + Increment Button. To advance to the next menu item, press the ◀ Enter Button.

To exit Setup Mode, press the ▶ Advance Button until "Exit Setup" is displayed. Press the ◀ Enter Button to save the changes and return to normal printer operation.



Indicators:

- Power On = Ready to print, Slow Flash = Setup Mode, Short Flash = Power Saving Stand By Mode.
- 📶 Wireless I/O Enabled and Connected.
- 📄 Magnetic Card Reader: Ready for swipe.
- ⚠ Error: See messages, below.
- 🔋 Battery: On = Charging, Flashing = Battery Low.

Printer Setup Menus (Default Values Shown)

- Use the ▶ Advance Button to access the next menu. (Also see + note below)
- Use the + Increment Button to increment the value displayed on the bottom line.
- Use the ◀ Enter Button to accept the value displayed and advance to the next feature.

FORMAT MENU

Width/Space = Fixed Width
 Char Space(%) = 0
 Font = 16.9 cpi Courier
 Scalable Font =
 Default Scalable
 Resident Font =
 Default Scalable
 Spacing = 3 Lines
 Left Margin = 0
 Right Margin = 0
 Form Feed Distance
 = 1.2608" (Mark*)
 Top of Form Adjust = 0
 Tearbar Adjust = 0
 Print Contrast = 0 (+35*)
 Max Paper Speed
 = 3.30 ips (2.30*)
 Mark Sensing = Front (Back*)
 Mark Sensitivity = 0
 Gap Sensitivity = 0

* LP Model Defaults

INTERFACE MENUS

Serial

Emulation = Printek
 Baud Rate = 57600
 Data Bits = 8
 Stop Bits = 1
 Parity = None
 XON/XOFF = Off
 ETX/ACK = Off
 RTS/CTS = On

IrDA**

Emulation = Printek

Bluetooth**

Emulation = Printek
 Pairing Mode = Paired
 Role Policy = Defer
 Discoverability = On
 Pin = "0"
 Security = Off
 Local Name = MtP300-Serial#
 Address = (Hardware Value)

Wi-Fi**

Emulation = Printek
 Pass Thru Mode = Off

Basic Network Settings:
 (Requires Mobile Setup Utility described at right)

Network = Ad-Hoc
 Static IP = 192.0.0.192
 Mask = 255.255.255.0
 Gateway = 192.0.0.1
 SSID = MobilePrinter
 Encryption = 128 bit
 Key = 123456789abcd123456789abcd

Note: After exiting Setup, you may print the current Interface settings by pressing and holding the ◀ Enter Button until "Printing Setup" is displayed.

** IrDA, Bluetooth, or Wi-Fi are only available if that interface option is installed.
 To switch between these interfaces and the Serial Interface, press and hold the ◀ Enter Button until "Interface Now ..." is displayed.

Paper Related LCD Messages:

Paper Door Open - Close paper door and press the 📄 Paper Feed Button to continue.

Paper Fault - Load media or correct jam and press the 📄 Paper Feed Button to continue.

Magnetic Card Reader LCD Messages:

Swipe Card Now - Magnetic Card Reader is ready for card to be swiped.

Card Read Ok - Card read successfully.
 Card Not Read - Card not read correctly.

Mobile Setup Utility

In addition to using the Printer's Front Panel Setup as described at the left, a Mobile Setup Utility is available that allows the printer to be configured from a Windows® desktop operating system or from a Windows Mobile®, Windows CE, or Pocket PC device.

For information regarding the Mobile Setup utility, please contact your system administrator.

Please Note: The Mobile Setup utility is *required* to make changes to the network settings of the Wi-Fi interface.

Printek is a registered trademark of Printek, Inc.
 Windows and Windows Mobile are registered trademarks of Microsoft Corp.