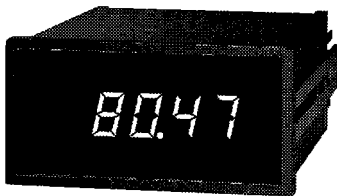




Made in the USA

Y2K
Year 2000
Compliant

User's Guide



An OMEGA Technologies Company

<http://www.omega.com>
e-mail: info@omega.com

**DP2000-P,
DP9000-P**
Process Indicators

WARRANTY/DISCLAIMER

OMEGA ENGINEERING, INC. warrants this unit to be free of defects in materials and workmanship for a period of **13 months** from date of purchase. OMEGA Warranty adds an additional one (1) month grace period to the normal **one (1) year product warranty** to cover handling and shipping time. This ensures that OMEGA's customers receive maximum coverage on each product.

If the unit should malfunction, it must be returned to the factory for evaluation. OMEGA's Customer Service Department will issue an Authorized Return (AR) number immediately upon phone or written request. Upon examination by OMEGA, if the unit is found to be defective it will be repaired or replaced at no charge. OMEGA's WARRANTY does not apply to defects resulting from any action of the purchaser, including but not limited to mishandling, improper interfacing, operation outside of design limits, improper repair, or unauthorized modification. This WARRANTY is VOID if the unit shows evidence of having been tampered with or shows evidence of being damaged as a result of excessive corrosion; or current, heat, moisture or vibration; improper specification; misapplication; misuse or other operating conditions outside of OMEGA's control. Components which wear are not warranted, including but not limited to contact points, fuses, and triacs.

OMEGA is pleased to offer suggestions on the use of its various products. However, OMEGA neither assumes responsibility for any omissions or errors nor assumes liability for any damages that result from the use of its products in accordance with information provided by OMEGA, either verbal or written. OMEGA warrants only that the parts manufactured by it will be as specified and free of defects. OMEGA MAKES NO OTHER WARRANTIES OR REPRESENTATIONS OF ANY KIND WHATSOEVER, EXPRESSED OR IMPLIED, EXCEPT THAT OF TITLE, AND ALL IMPLIED WARRANTIES INCLUDING ANY WARRANTY OF MERCHANTABILITY AND FITNESS FOR A PARTICULAR PURPOSE ARE HEREBY DISCLAIMED. LIMITATION OF LIABILITY: The remedies of purchaser set forth herein are exclusive and the total liability of OMEGA with respect to this order, whether based on contract, warranty, negligence, indemnification, strict liability or otherwise, shall not exceed the purchase price of the component upon which liability is based. In no event shall OMEGA be liable for consequential, incidental or special damages.

CONDITIONS: Equipment sold by OMEGA is not intended to be used, nor shall it be used: (1) as a "Basic Component" under 10 CFR 21 (NRC), used in or with any nuclear installation or activity; or (2) in medical applications or used on humans. Should any Product(s) be used in or with any nuclear installation or activity, medical application, used on humans, or misused in any way, OMEGA assumes no responsibility as set forth in our basic WARRANTY/DISCLAIMER language, and additionally, purchaser will indemnify OMEGA and hold OMEGA harmless from any liability or damage whatsoever arising out of the use of the Product(s) in such a manner.

RETURN REQUESTS / INQUIRIES

Direct all warranty and repair requests/inquiries to the OMEGA Customer Service Department. **BEFORE RETURNING ANY PRODUCT(S) TO OMEGA, PURCHASER MUST OBTAIN AN AUTHORIZED RETURN (AR) NUMBER FROM OMEGA'S CUSTOMER SERVICE DEPARTMENT (IN ORDER TO AVOID PROCESSING DELAYS).** The assigned AR number should then be marked on the outside of the return package and on any correspondence.

The purchaser is responsible for shipping charges, freight, insurance and proper packaging to prevent breakage in transit.

FOR **WARRANTY** RETURNS, please have the following information available BEFORE contacting OMEGA:

1. P.O. number under which the product was PURCHASED,
2. Model and serial number of the product under warranty, and
3. Repair instructions and/or specific problems relative to the product.

FOR **NON-WARRANTY** REPAIRS, consult OMEGA for current repair charges. Have the following information available BEFORE contacting OMEGA:

1. P.O. number to cover the COST of the repair,
2. Model and serial number of product, and
3. Repair instructions and/or specific problems relative to the product.

OMEGA's policy is to make running changes, not model changes, whenever an improvement is possible. This affords our customers the latest in technology and engineering.

OMEGA is a registered trademark of OMEGA ENGINEERING, INC.

© Copyright 1998 OMEGA ENGINEERING, INC. All rights reserved. This document may not be copied, photocopied, reproduced, translated, or reduced to any electronic medium or machine-readable form, in whole or in part, without prior written consent of OMEGA ENGINEERING, INC.

TABLE OF CONTENTS

SAFETY CONSIDERATIONSii
DP2000 MAIN ASSEMBLY	
1.0 Specifications1
2.0 Mechanical Assembly and Installation4
3.0 Power & Signal Input Connections5
4.0 Configuration Procedure6
5.0 Configuration Charts7
6.0 Tests and Diagnostics9
7.0 Main Board Connector Pin Assignments10
8.0 Drawings11
DP9000 MAIN ASSEMBLY	
9.0 Specifications16
10.0 Mechanical Assembly and Installation19
11.0 Power & Signal Input Connections20
12.0 Configuration Procedure21
13.0 Configuration Charts22
14.0 Tests and Diagnostics25
15.0 Main Board Connector Pin Assignments26
16.0 Drawings27
SIGNAL CONDITIONER BSCP	
17.0 Specifications30
18.0 Signal Input Connections32
19.0 Test and Diagnostics33
20.0 Configuration Procedure34
21.0 Configuration Charts41
22.0 Calibration for DP2000-P48
23.0 Calibration for Q9000-P49
24.0 Drawings50
INSTALLATION INSTRUCTIONS	
25.0 Digital Panel Meter Installation Instructions52

SAFETY CONSIDERATIONS



This device is marked with the international Caution symbol. It is important to read this manual before installing or commissioning this device as it contains important information relating to Safety and EMC (Electromagnetic Compatibility).

Unpacking & Inspection



Unpack the instrument and inspect for obvious shipping damage. Do not attempt to operate the unit if damage is found.

This instrument is a panel mount device protected in accordance with Class I of EN 61010 (115/230 AC power connections). Installation of this instrument should be done by Qualified personnel. In order to ensure safe operation, the following instructions should be followed.

This instrument has no power-on switch. An external switch or circuit-breaker shall be included in the building installation as a disconnecting device. It shall be marked to indicate this function, and it shall be in close proximity to the equipment within easy reach of the operator. The switch or circuit-breaker shall not interrupt the Protective Conductor (Earth wire), and it shall meet the relevant requirements of IEC 947-1 and IEC 947-3 (International Electrotechnical Commission). The switch shall not be incorporated in the mains supply cord.

Furthermore, to provide protection against excessive energy being drawn from the mains supply in case of a fault in the equipment, an overcurrent protection device shall be installed.



- The **Protective Conductor** must be connected for safety reasons. Check that the power cable has the proper Earth wire, and it is properly connected. It is not safe to operate this unit without the Protective Conductor Terminal connected.



- Do not exceed voltage rating on the label located on the top of the instrument housing.
- Always disconnect power before changing signal and power connections.
- Do not use this instrument on a work bench without its case for safety reasons.
- Do not operate this instrument in flammable or explosive atmospheres.
- Do not expose this instrument to rain or moisture.
- Unit mounting should allow for adequate ventilation to ensure instrument does not exceed operating temperature rating.
- Use electrical wires with adequate size to handle mechanical strain and power requirements. Install without exposing bare wire outside the connector to minimize electrical shock hazards.

EMC Considerations

- Whenever EMC is an issue, always use shielded cables.
- Never run signal and power wires in the same conduit.
- Use signal wire connections with twisted-pair cables.
- Install Ferrite Bead(s) on signal wires close to the instrument if EMC problems persist.

1.0 MAIN ASSEMBLY DP2000 SPECIFICATIONS

1.1 GENERAL

The DP2000 main assemblies are identified by an initial designator (DP2) plus a power/display option numeral, zero thru nine (0-9).

The following table identifies the main assembly types:

Display Type	120 V ac	240 V ac	9-32 V dc	5 V ac	24 V ac
LED	DP20	DP22	DP24	DP26	DP28
LCD	DP21	DP23	DP25	DP27	DP29

The OMEGA Digital Panel Meter/Controller consists of a main assembly, signal conditioner and interface options (if ordered) all housed in a 1/8 DIN case.

The main assembly consists of a main board and a display board which is permanently attached to it at a 90 degree angle.

The main board provides mounting for the power supply, circuit components, and connectors for plugging in the signal conditioner, optional analog card, and optional controller/communications interface card (requires removal of a bypass push-on jumper).

The display board includes the analog-to-digital converter, the LED or LCD display and the push-on jumper for programming the decimal points. Decimal point programming may also be done from the main board connector (J1).

1.2 POWER

AC Models:	24/120/240V +10/-15% 47-63 Hz
Common Mode Voltage:	1500 Vp test (354 Vp per IEC spacing)
DC Models:	5V \pm 5% (5V return common to signal LO) 9-32V (300V isolation from 9-32V return to signal LO)
Source Impedance:	3 Ohms
Ripple:	250mV maximum
Power Consumption:	5 watts maximum

1.3 DISPLAY

LED:	14.2mm (0.56 in), 7-segment light emitting diode
Lens Color:	Red
LCD:	12.7mm (0.50 in), 7-segment liquid crystal
Lens color:	Clear
Range:	0 to \pm 1999
Overload Indication:	Three least significant digits blanked, "1" or "-1" displayed

1.4 CONVERSION

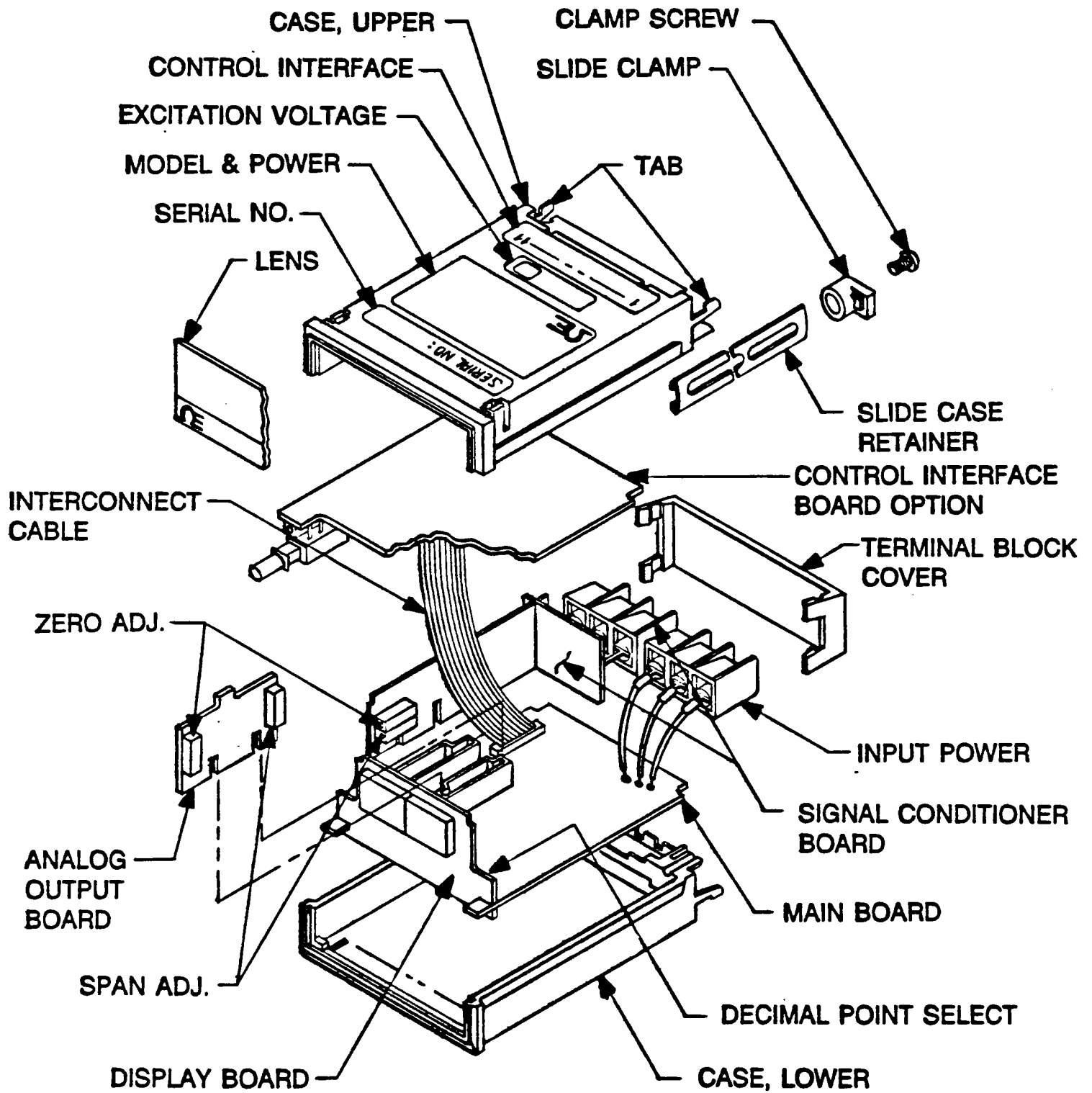
Technique:	Auto-zero, dual slope, average value
Signal Integration Period:	100ms, nominal
Reading Rate:	2.5/s, nominal

1.5 ENVIRONMENTAL

Operating Temperature (Ambient):	0-60 C
Storage Temperature:	-40 to 85 C
Humidity:	To 95% RH, non-condensing, 0-40 C

1.6 MECHANICAL

Case Material:	UL-rated 94V-0, polycarbonate
Weight:	0.57 kg (with interface board)

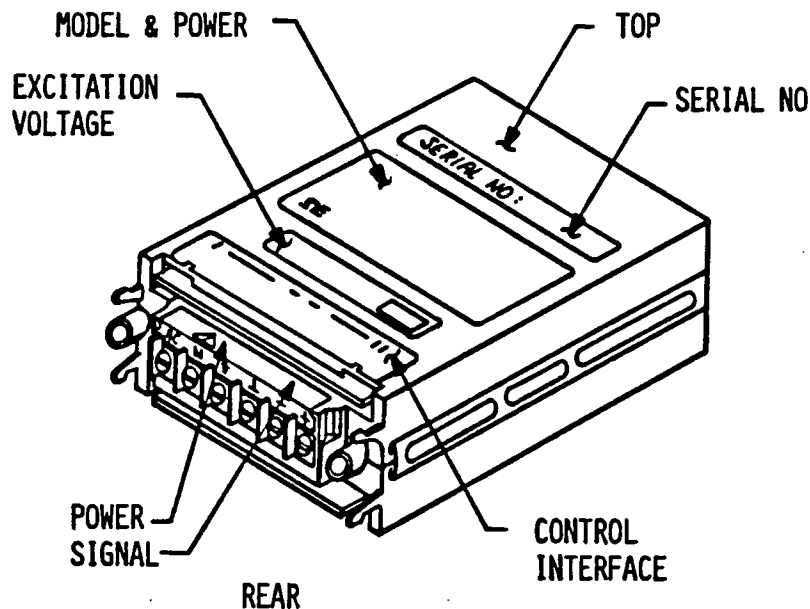


2.0 MECHANICAL ASSEMBLY & INSTALLATION

2.1 PANEL MOUNTING PROCEDURE (SEE FIGURE 1)

1. Remove the main board edge connector (J1), if installed.
2. Remove the interface board connector (J2), if installed.
3. Loosen two clamp screws on the rear of the case enough to rotate the two slide clamps.
4. Slide the two slide retainers toward the rear of the case and remove them.
5. From the front of the panel, insert the meter into the panel cutout.
6. Slide the slide retainers back onto the case and push up tightly against the rear of the panel.
7. Rotate the slide clamps back into their original position and tighten enough to hold the case in place. Overtightening can break the clamps.
8. Install any connectors removed.

2.2 LABELS (SEE FIGURE 2)



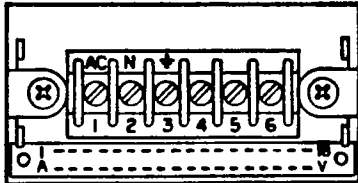
NOTE: READ LABELS FROM THE REAR

FIGURE 2. LABEL PLACEMENT

3.0 POWER & SIGNAL INPUT CONNECTIONS

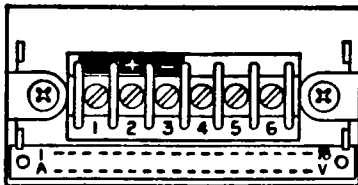
WARNING: Incorrect power input can damage your OMEGA PANEL METER.

3.1 POWER CONNECTIONS



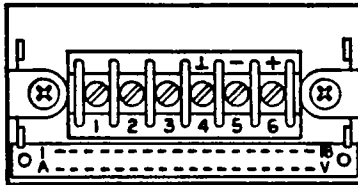
<u>Terminal Connection</u>	<u>AC Versions</u>	<u>Wire Color</u>
1	AC power HI	Black
2	AC power LO (neutral)	White
3	AC power GND	Green

REAR TERMINAL VIEW



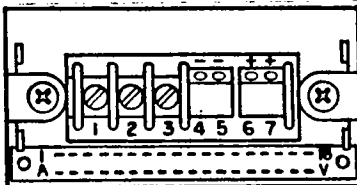
<u>Terminal Connection</u>	<u>DC Versions</u>
1	No connection
2	DC power +
3	DC power - (return)

3.2 SIGNAL INPUT CONNECTIONS



<u>Terminal Connection</u>	<u>6 Terminal Versions Signal</u>
4	Analog GND
5	Signal LO
6	Signal HI

REAR TERMINAL VIEW



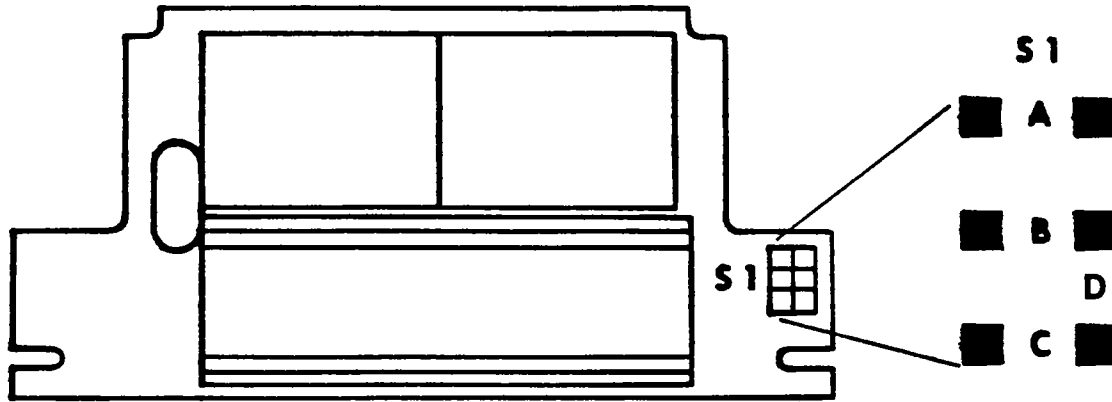
<u>Terminal Connection</u>	<u>7 Terminal Versions Signal</u>
4	-E (Excitation return)
5	-S (Signal LO input)
6	+S (Signal HI input)
7	+E (Excitation output)

4.0 CONFIGURATION PROCEDURE

This procedure is used to set the decimal point of the display and interface board signal bypass selections for the configuration of the OMEGA DP2000 Display and power options (DP20 through DP29).

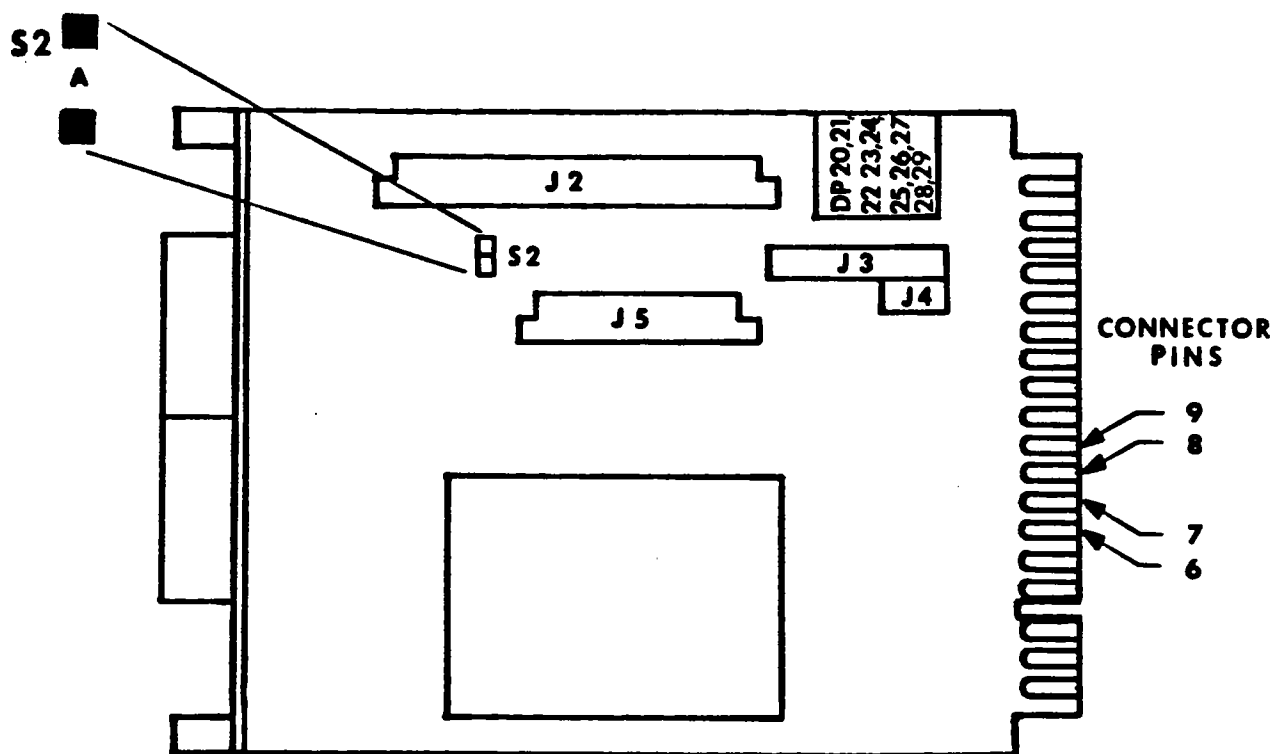
The main assembly can be configured using the push-on jumpers provided or already positioned on the pin forests. Pin forest designations are shown at the top of every page of the configuration charts.

5.0 CONFIGURATION CHARTS
5.1 DECIMAL POINT SELECTION



Step 1: Remove all push-on jumpers not used in the desired configuration(s).		
Step 2: Select the desired configuration from the chart below, then install the push-on jumpers indicated.		
Decimal Point Selection	S1	Alternate Decimal Point Selection Using Main Assembly Board (J1) Connector
Decimal Point (1.999)	A	Connect J1-K/9 to J1-6
Decimal Point (19.99)	B	Connect J1-J/8 to J1-6
Decimal Point (199.9)	C	Connect J1-H/7 to J1-6
No Decimal Point (1999)	D	No Connection

5.2 INTERFACE BOARD SIGNAL BYPASS SELECTION



Step 1: Check your OMEGA part number for a zero (0) in the following position: DP2XX0X. If there is a zero (0) in that position, interface board signal bypass is required.	
Step 2: Remove all push-on jumpers not used in the desired configuration(s).	
Step 3: Select the desired configuration from the chart below, then install the push-on jumpers indicated.	
Interface Board Signal Configuration	S2
Interface Board Signal Bypass	A

6.0 TESTS & DIAGNOSTICS

6.1 TEST CONFIGURATION REQUIREMENTS

The main assembly is designed to function with a signal conditioner board as a minimum configuration. There is no provision for testing a main assembly alone.

6.2 SIGNAL INPUT REQUIREMENTS

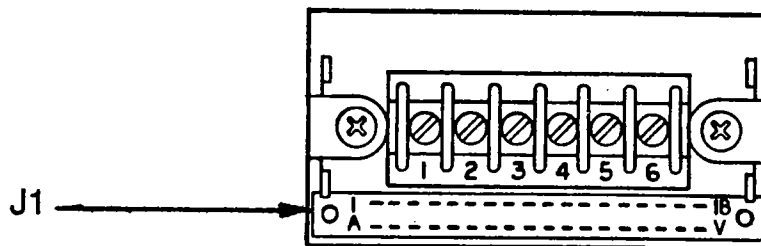
Signal input requirements for your configuration are identified in the signal conditioner section of this manual.

7.0 MAIN BOARD CONNECTOR PINOUTS (J1)

(Left to right, looking at rear of case)

Connection	Function	
A - 1	Spare	
B	Oscillator	40 kHz
2	-8.2 Vdc	Analog power
C - 3	Spare	
D	+ Pol (sign)	+ Polarity sign
4	Hold	LED version only
E - 5	Spare	
F	Buffer	Integrator output
6	Digital Ground	
H - 7	199.9 (Decimal Point)	Use with pin 6
J - 8	19.99 (Decimal Point)	Use with pin 6
K - 9	1.999 (Decimal Point)	Use with pin 6
L - 10	TEST (LED version only)	Use with pin M/11
M - 11	+5 V dc	Analog & digital power
N - 12	Analog output	Standard 1 mV/count
P - 13	Spare	
R - 14	Spare	Used with H & S options - Excitation sense
S - 15	Analog Ground	
T - 16	Analog Option - Return	Used with analog option
U	Analog Option - Out	Used with analog option
17	+30 V dc	Unregulated power
V - 18	Spare	Used with S option +Excitation sense

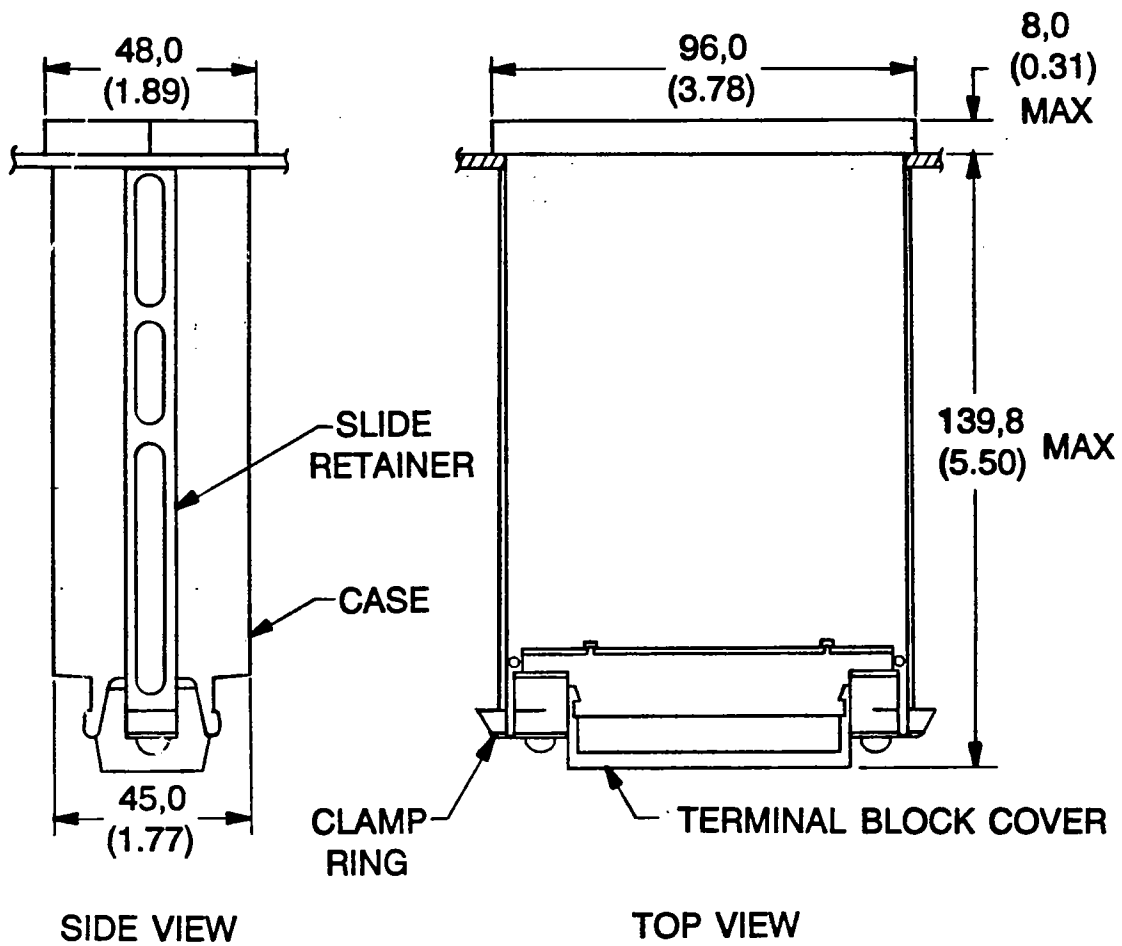
- Indicates common pin.
50 mA maximum power available from all internal sources.



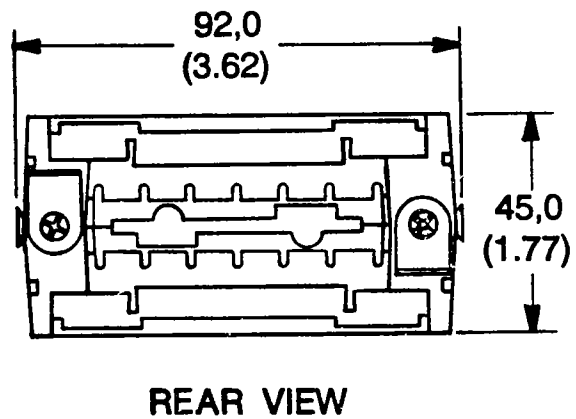
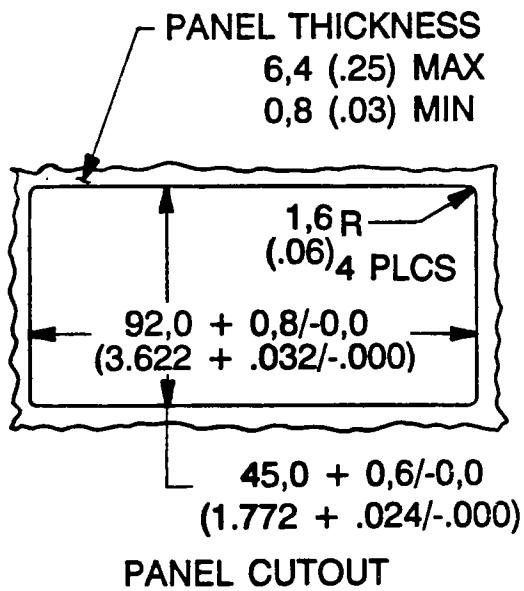
REAR TERMINAL VIEW

8.0 DRAWINGS

8.1 DIMENSIONS

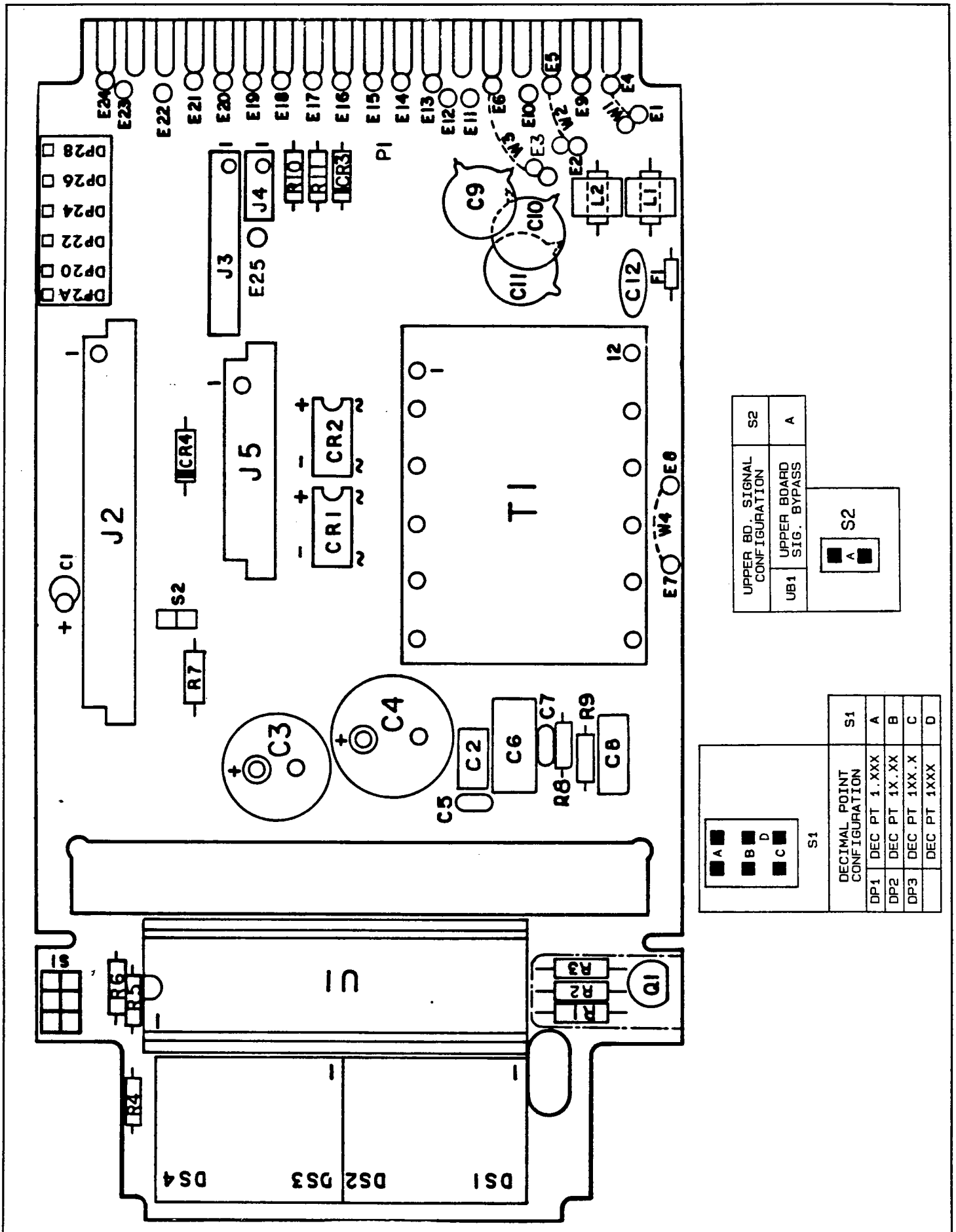


NOTE: Dimensions are in millimeters $\pm 0,25$ mm and inches are in () ± 0.01 in

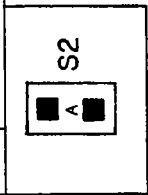


REAR VIEW
Terminal block cover and bezel not shown for clarity.

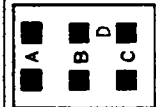
Clamp rings rotated and slide retainers removed as shown for installation.



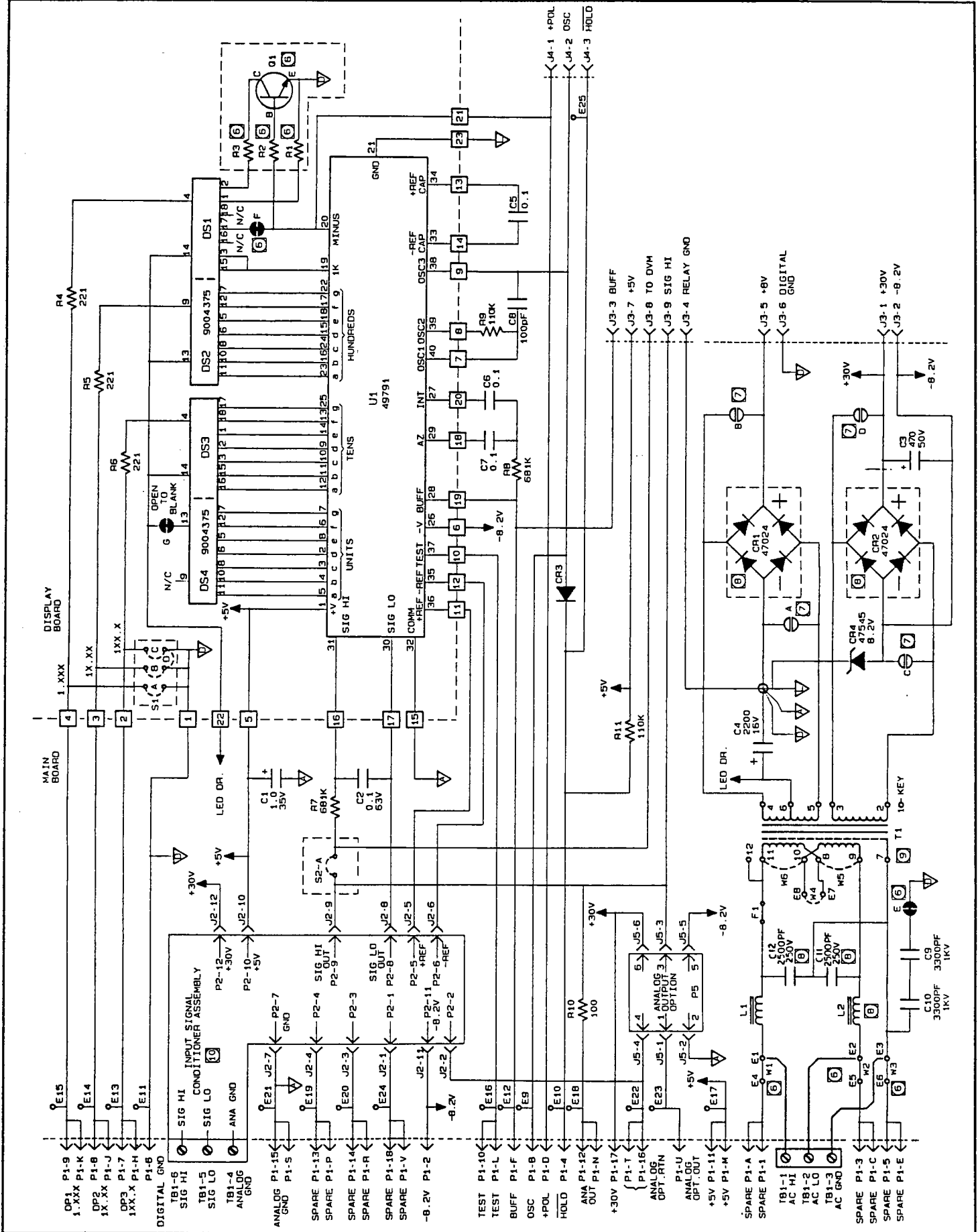
UB1	UPPER BOARD SIG. BYPASS	A
S2	UPPER BO. SIGNAL CONFIGURATION	A

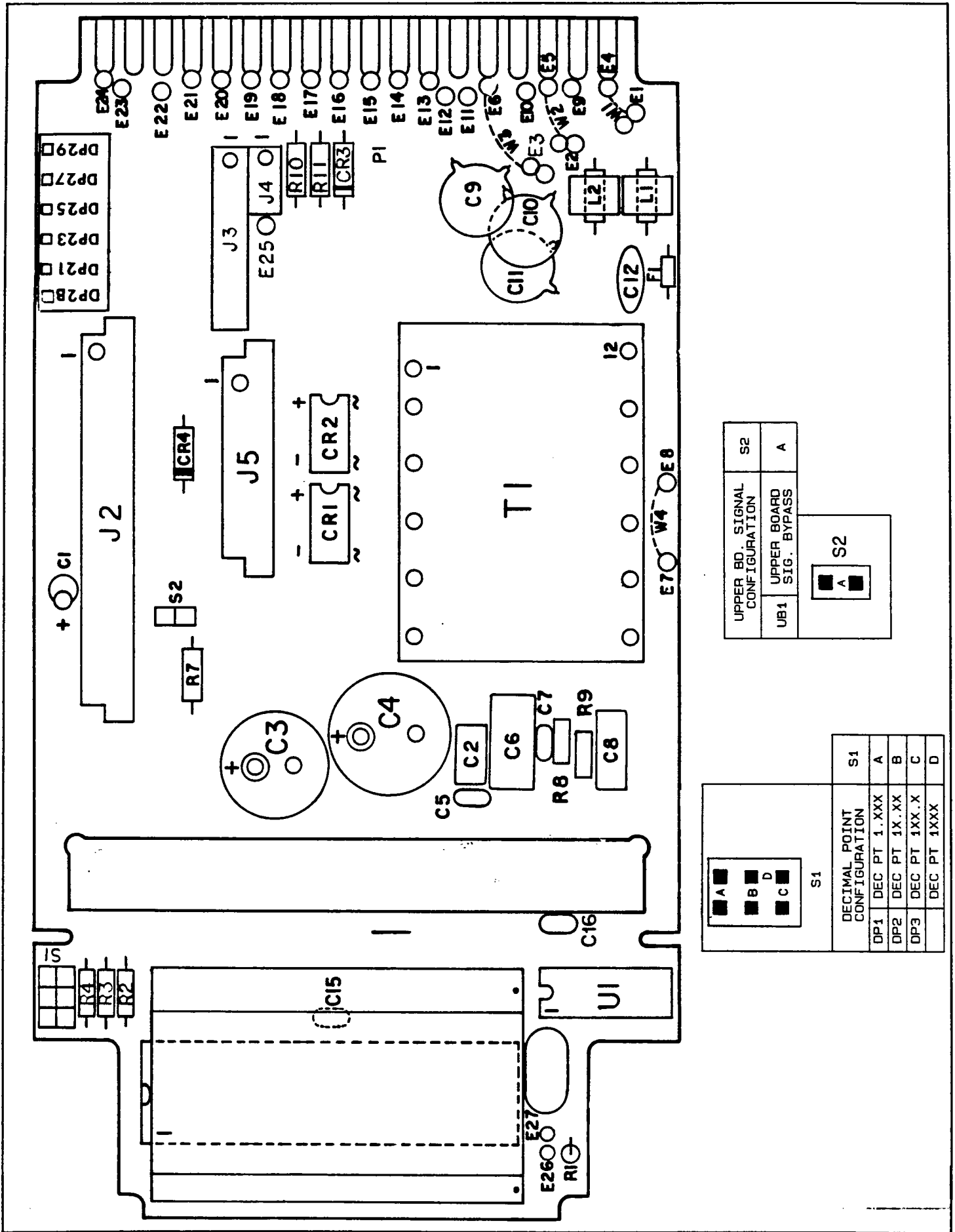


S1	
DECIMAL POINT CONFIGURATION	S1
DP1	DEC PT 1.XXX A
DP2	DEC PT 1X.XX B
DP3	DEC PT 1XX.X C
	DEC PT 1XXX D

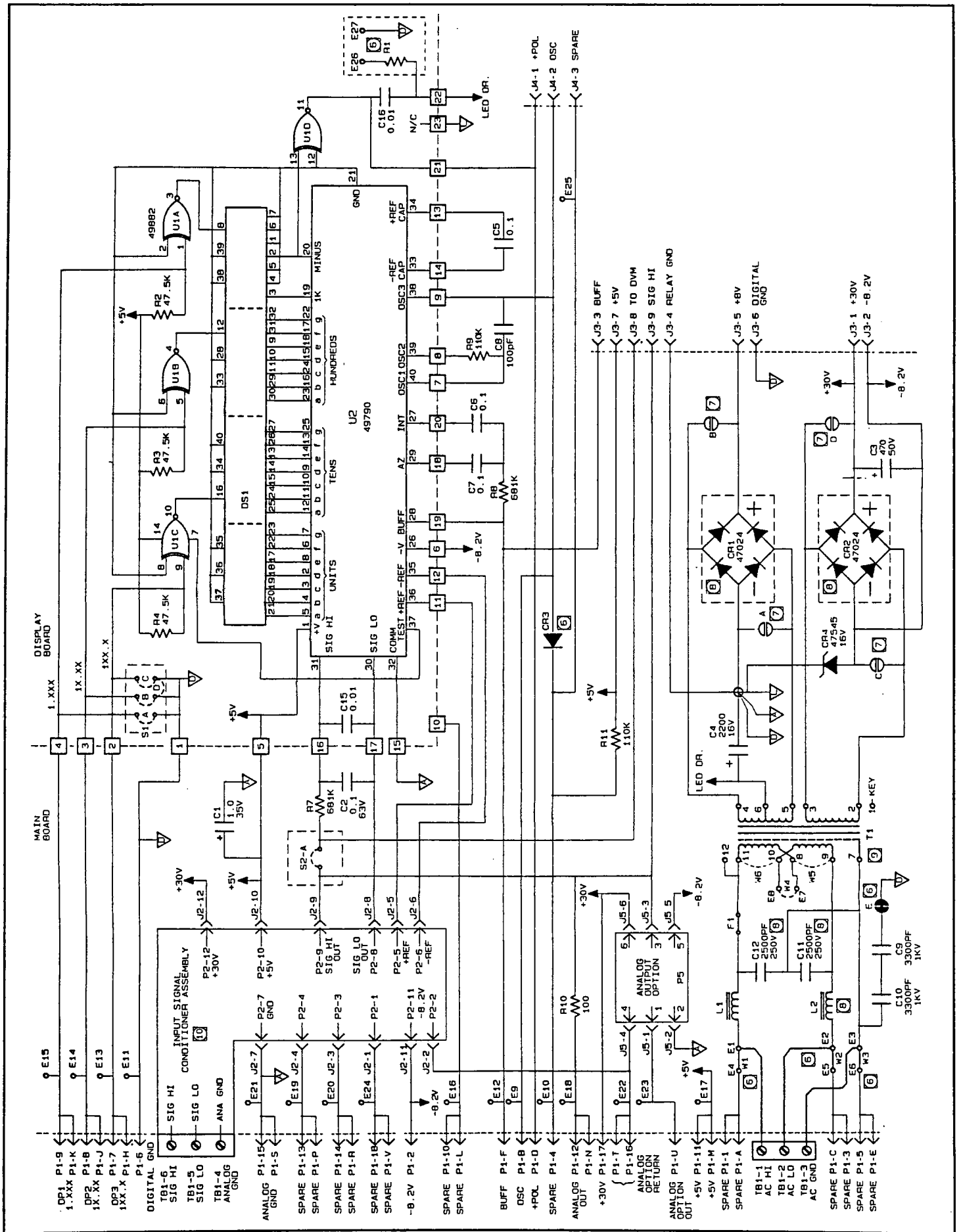


8.3 DP2000 SCHEMATIC DIAGRAM LED





8.5 DP2000 SCHEMATIC DIAGRAM LCD



9.0 MAIN ASSEMBLY DP9000 SPECIFICATIONS

9.1 GENERAL

OMEGA DP9000 main assemblies are identified by an initial designator (DP9) plus a power/display option numeral: 0, 2, 4, 6 or 8.

The following table identifies the main assembly types:

Display Type	120 V ac	240 V ac	9-32 V dc	5 V ac	24 V ac
LED	DP90	DP92	DP94	DP96	DP98

The Digital Panel Meter/Controller consists of a main assembly, signal conditioner and interface options (if ordered) all housed in a 1/8 DIN case.

The main assembly consists of a main board and a display board which is permanently attached to it at a 90 degree angle.

The main board provides mounting for the power supply, circuit components, and connectors for plugging in the signal conditioner, optional analog card, and optional controller/communications interface card (requires removal of a bypass push-on jumper).

The display board includes the analog-to-digital converter, the LED display and the push-on jumper for programming the decimal points. Decimal point programming may also be done from the main board connector (J1).

9.2 POWER

AC Models:	24/120/240V +10/-15% 47-63 Hz
Common Mode Voltage:	1500 Vp test (354 Vp per IEC spacing)
DC Models:	5V \pm 5% (5V return common to signal LO) 9-32V (300V isolation from 9-32V return to signal LO)
Source Impedance:	3 Ohms
Ripple:	250mV maximum
Power Consumption:	5 watts maximum

9.3 DISPLAY

LED:	14.2mm (0.56 in), 7-segment light emitting diode
Lens Color:	Red
Range:	0 to \pm 9999, digits flash from 10K-20K counts
Overload Indication:	Four digits flash zeros at 20K and above

9.4 CONVERSION

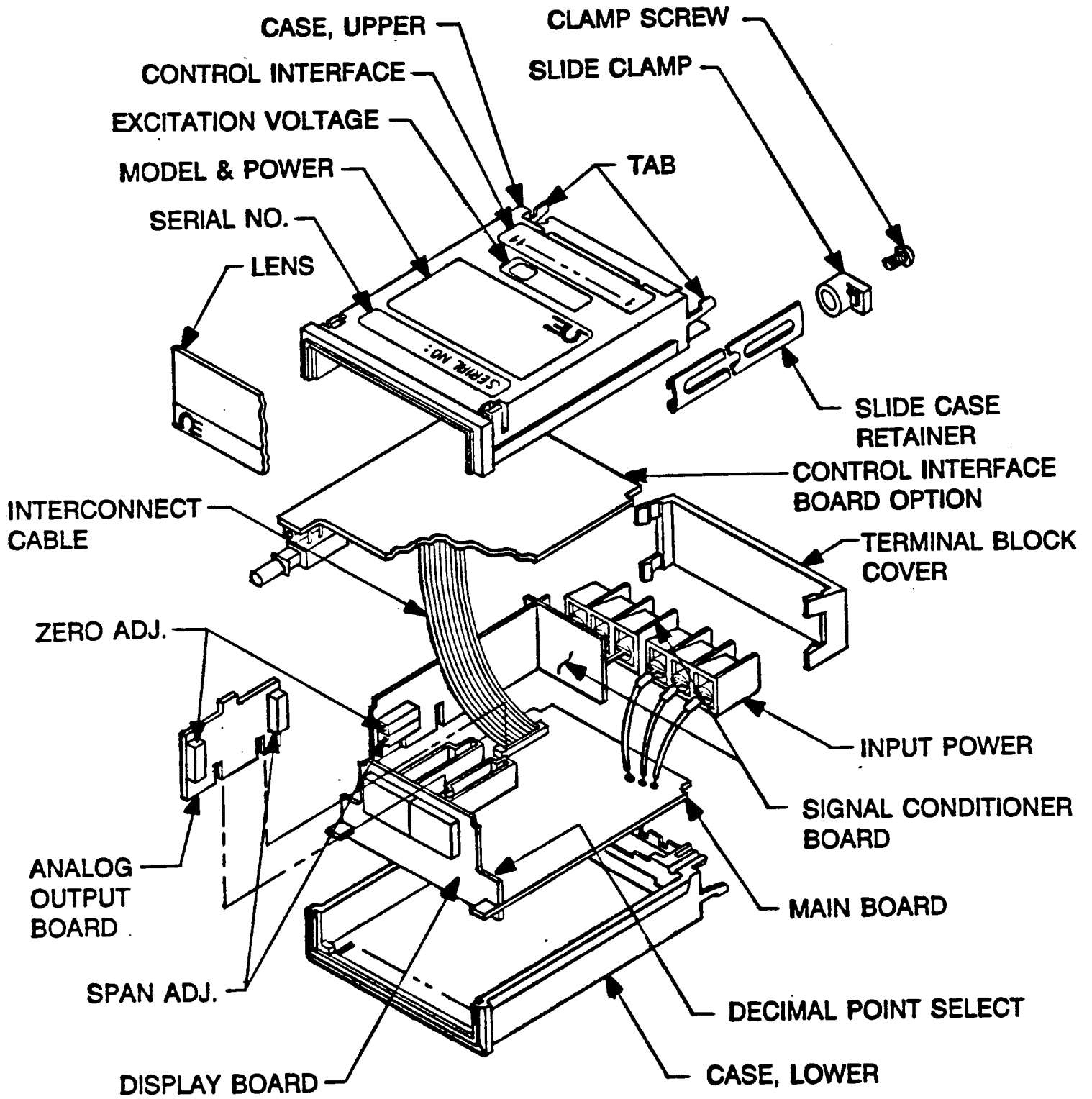
Technique:	Auto-zero, dual slope, average value
Signal Integration Period:	100ms, nominal
Reading Rate:	2.5/s, nominal

9.5 ENVIRONMENTAL

Operating Temperature (Ambient):	0-60 C
Storage Temp.:	-40 to 85 C
Humidity:	To 95% RH, non-condensing, 0-40 C

9.6 MECHANICAL

Case Material:	UL-rated 94V-0, polycarbonate
Weight:	0.57 kg (with interface board)

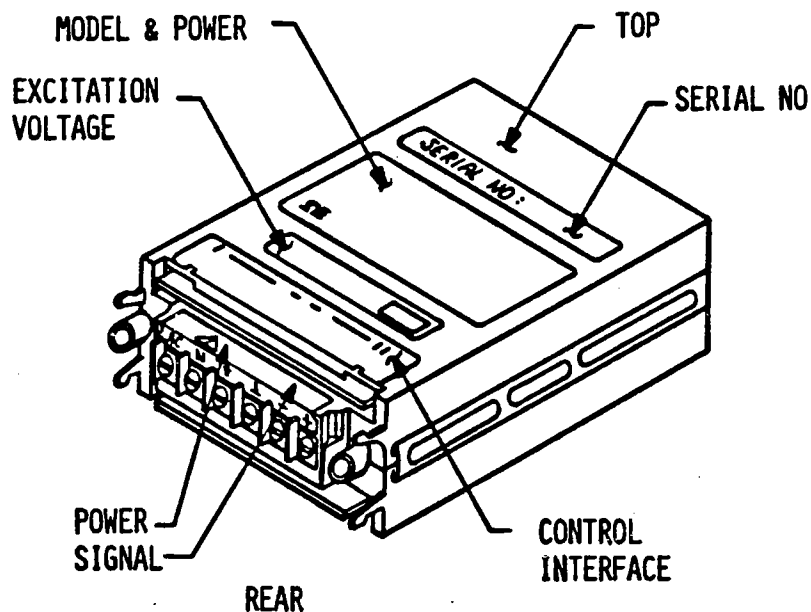


10.0 MECHANICAL ASSEMBLY & INSTALLATION

10.1 PANEL MOUNTING PROCEDURE (SEE FIGURE 3)

1. Remove the main board edge connector (J1), if installed.
2. Remove the interface board connector (J2), if installed.
3. Loosen two clamp screws on the rear of the case enough to rotate the two slide clamps.
4. Slide the two slide retainers toward the rear of the case and remove them.
5. From the front of the panel, insert the meter into the panel cutout.
6. Slide the slide retainers back onto the case and push up tightly against the rear of the panel.
7. Rotate the slide clamps back into their original position and tighten enough to hold the case in place. Overtightening can break the clamps.
8. Install any connectors removed.

10.2 LABELS (SEE FIGURE 4)



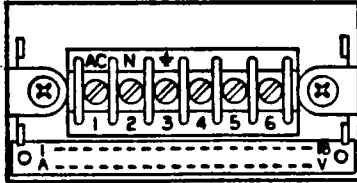
NOTE: READ LABELS FROM THE REAR

FIGURE 4. LABEL PLACEMENT

11.0 POWER & SIGNAL INPUT CONNECTIONS

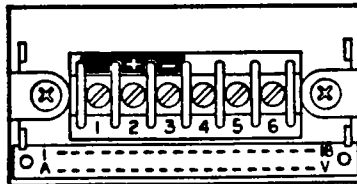
WARNING: Incorrect power input can damage your OMEGA PANEL METER.

11.1 POWER CONNECTIONS



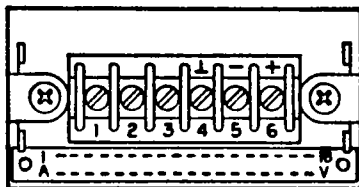
<u>Terminal Connection</u>	<u>AC Versions</u>	<u>Wire Color</u>
1	AC power HI	Black
2	AC power LO (neutral)	White
3	AC power GND	Green

REAR TERMINAL VIEW



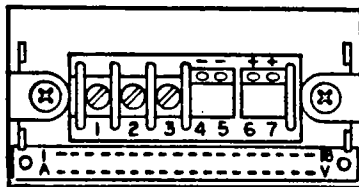
<u>Terminal Connection</u>	<u>DC Versions</u>
1	No connection
2	DC power +
3	DC power - (return)

11.2 SIGNAL INPUT CONNECTIONS



<u>Terminal Connection</u>	<u>6 Terminal Versions Signal</u>
4	Analog GND
5	Signal LO
6	Signal HI

REAR TERMINAL VIEW



<u>Terminal Connection</u>	<u>7 Terminal Versions Signal</u>
4	-E (Excitation return)
5	-S (Signal LO input)
6	+S (Signal HI input)
7	+E (Excitation output)

12.0 CONFIGURATION PROCEDURE

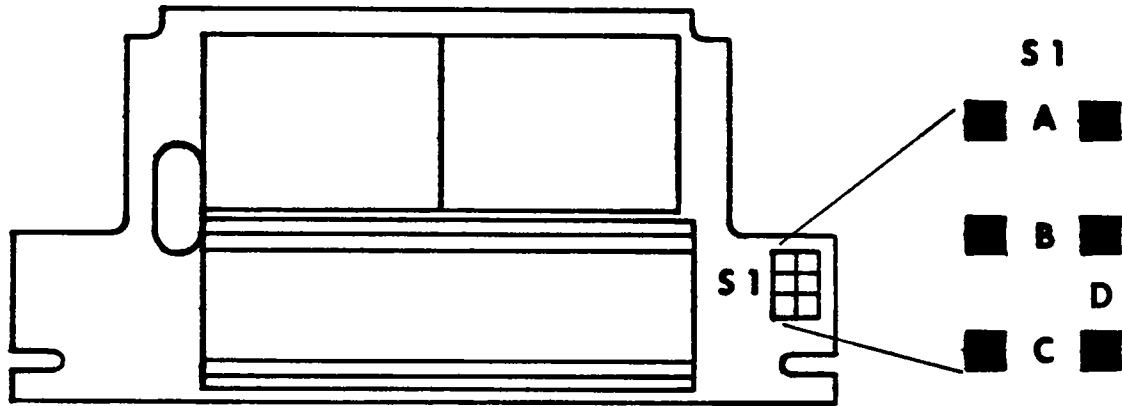
This procedure is used to set the decimal point of the display and interface board signal bypass selections for the configuration of the OMEGA DP9XXX display and power options (DP90 through DP98).

The main assembly can be configured using the push-on jumpers provided or already positioned on the pin forests. Pin forest designations are shown at the top of every page of the configuration charts.

13.0

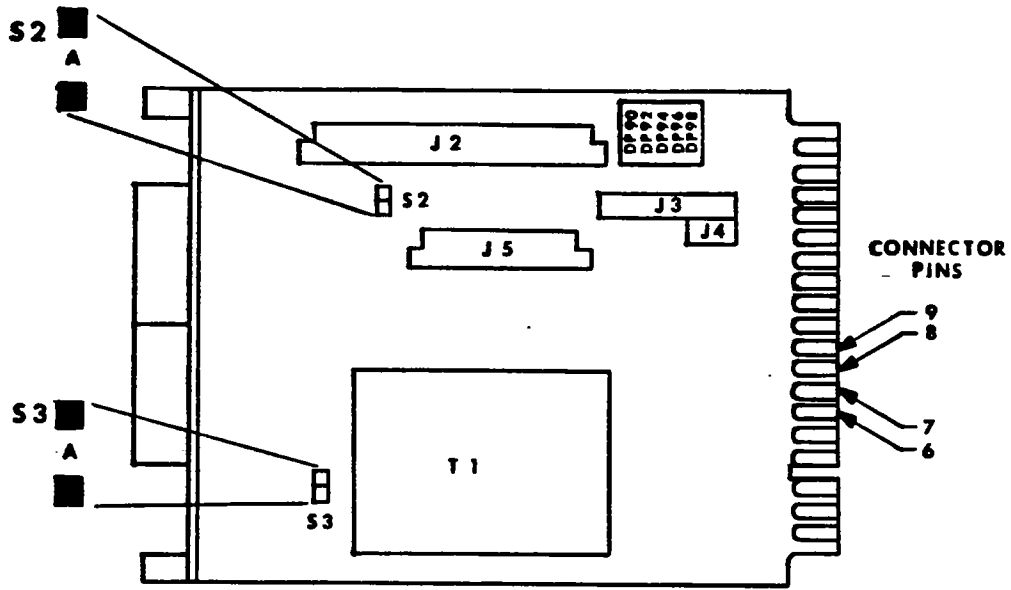
CONFIGURATION CHARTS

13.1 DECIMAL POINT SELECTION



Step 1: Remove all push-on jumpers not used in the desired configuration(s).		
Step 2: Select the desired configuration from the chart below, then install the push-on jumpers indicated.		
Decimal Point Selection	S1	Alternate Decimal Point Selection Using Main Assembly Board (J1) Connector
Decimal Point (9.999)	A	Connect J1-K/9 to J1-6
Decimal Point (99.99)	B	Connect J1-J/8 to J1-6
Decimal Point (999.9)	C	Connect J1-H/7 to J1-6
No Decimal Point (9999)	D	No Connection

13.2 INTERFACE BOARD SIGNAL BYPASS SELECTION



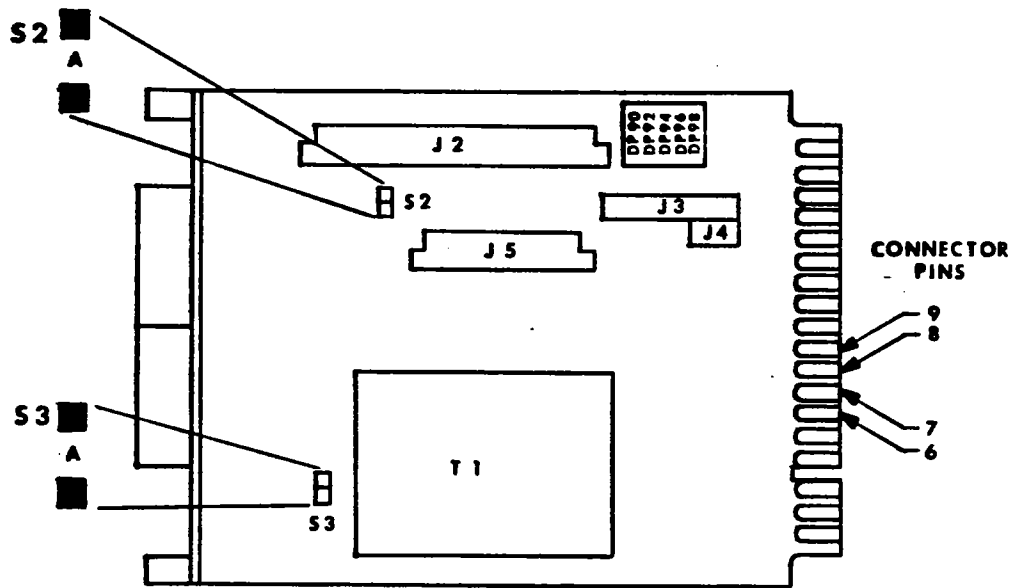
Step 1: Check your OMEGA part number for a zero (0) in the following position: DP9XX0X. If there is a zero (0) in that position, interface board signal bypass is required.

Step 2: Remove all push-on jumpers not used in the desired configuration(s).

Step 3: Select the desired configuration from the chart below, then install the push-on jumpers indicated.

Interface Board Signal Configuration	S2
Interface Board Signal Bypass	A

13.3 REFERENCE VOLTAGE (RV1, RV2)



Step 1: Remove all push-on jumpers not used in the desired configuration(s).		
Step 2: Select the desired configuration from the chart below, then install the push-on jumpers indicated.		
Reference Voltage Configuration		S3
RV1	1 Volt	A
RV2	2 Volts	-

14.0 TESTS & DIAGNOSTICS

14.1 TEST CONFIGURATION REQUIREMENTS

The main assembly is designed to function with a signal conditioner board as a minimum configuration. There is no provision for testing a main assembly alone.

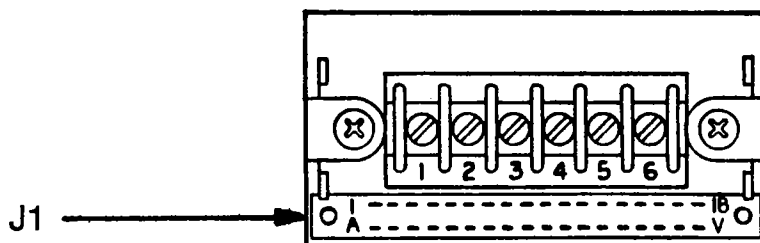
14.2 SIGNAL INPUT REQUIREMENTS

Signal input requirements for your configuration are identified in the signal conditioner section of this manual.

15.0 MAIN BOARD CONNECTOR PINOUTS (J1)

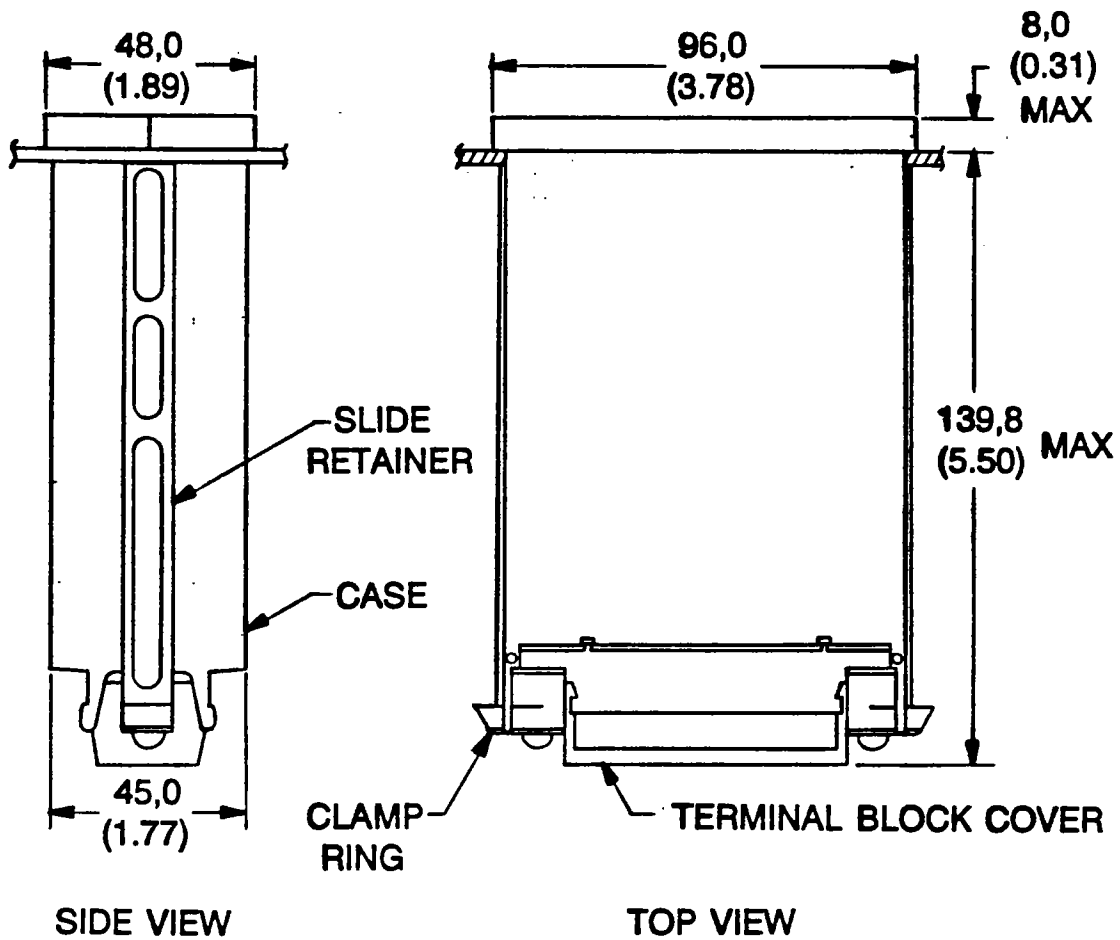
(Left to right, looking at rear of case)

Connection	Function	
A - 1	Spare	
B	Oscillator	100 kHz
2	-8.2 V dc	Analog power
C - 3	Spare	
D	+ Pol (sign)	+ Polarity sign
4	Hold	LED version only
E 5	Spare	
F	Buffer	Integrator output
6	Digital Ground	
H - 7	XXX.X (Decimal Point)	Use with pin 6
J - 8	XX.XX (Decimal Point)	Use with pin 6
K - 9	X.XXX (Decimal Point)	Use with pin 6
L - 10	TEST	Use with pin M/11
M - 11	+5 V dc	Analog & digital power
N - 12	Analog output	Standard 1 mV/count
P 13	Spare	
R	Spare	
14	Used with H & S options	
	- Excitation sense	
S - 15	Analog Ground	
T - 16	Analog Option - Return	Used with analog option
U	Analog Option - Out	Used with analog option
17	+30 V dc	Unregulated power
V - 18	Spare	Used with S option
	+ Excitation sense	
-	Indicates common pin.	
	50 mA maximum power available from all internal sources.	

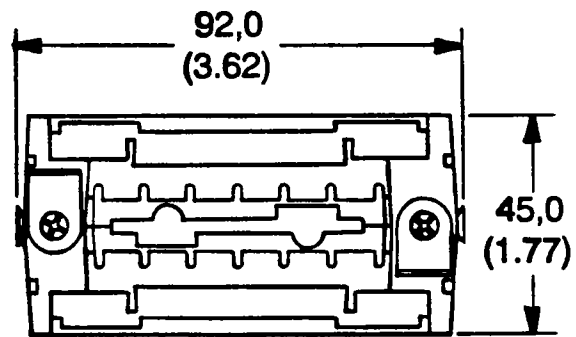
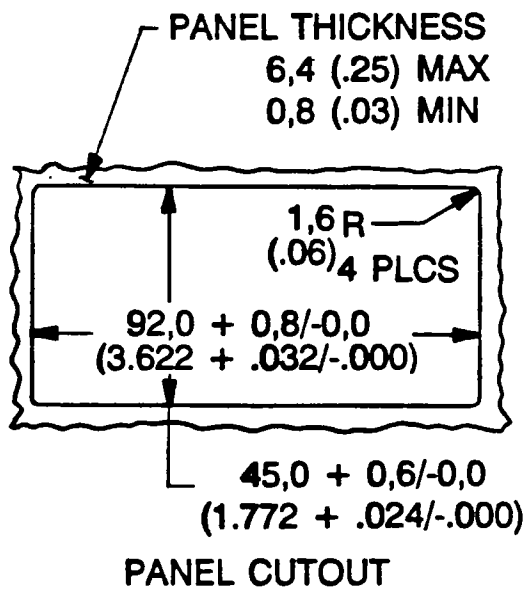


REAR TERMINAL VIEW

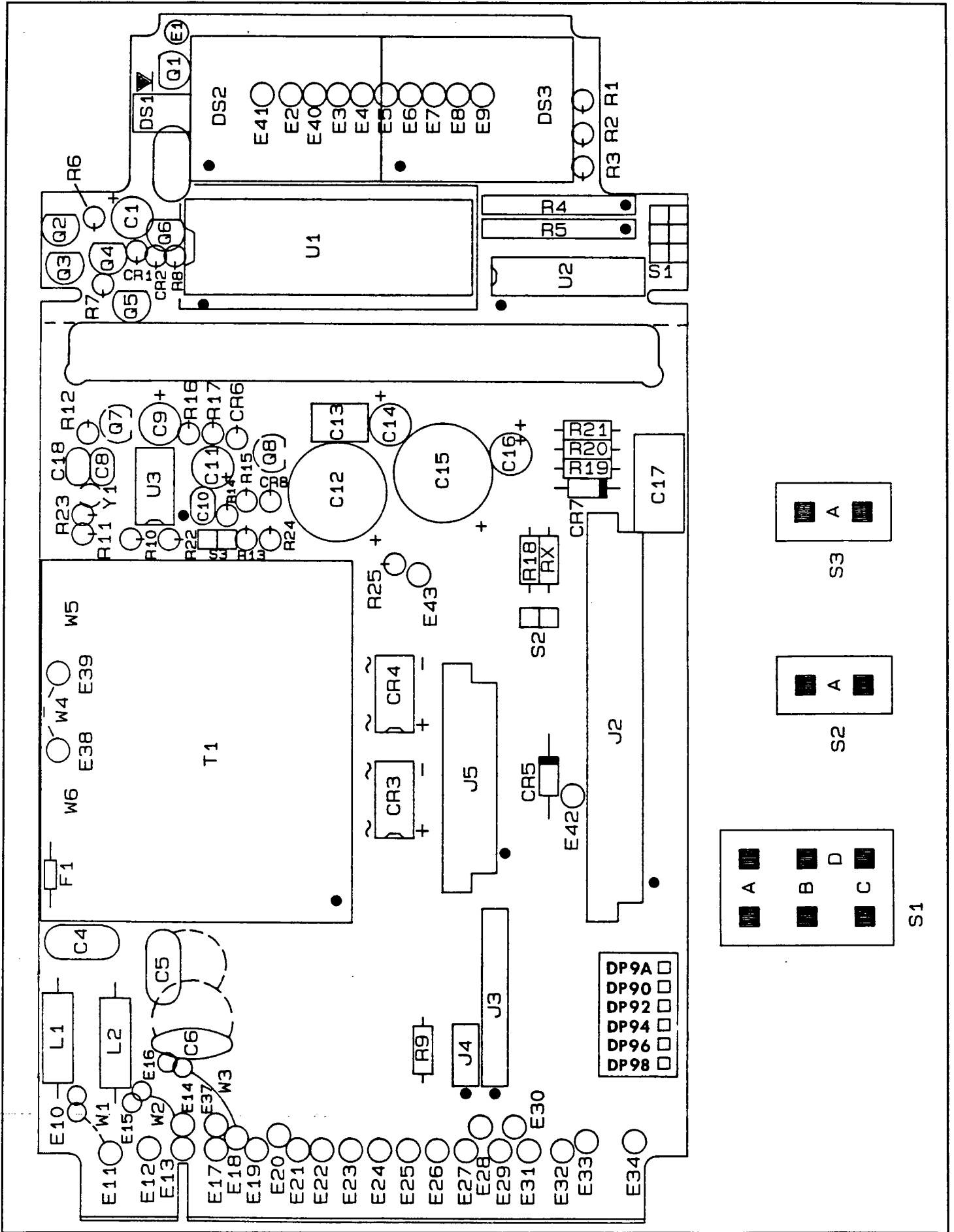
16.0 DRAWINGS
16.1 DIMENSIONS



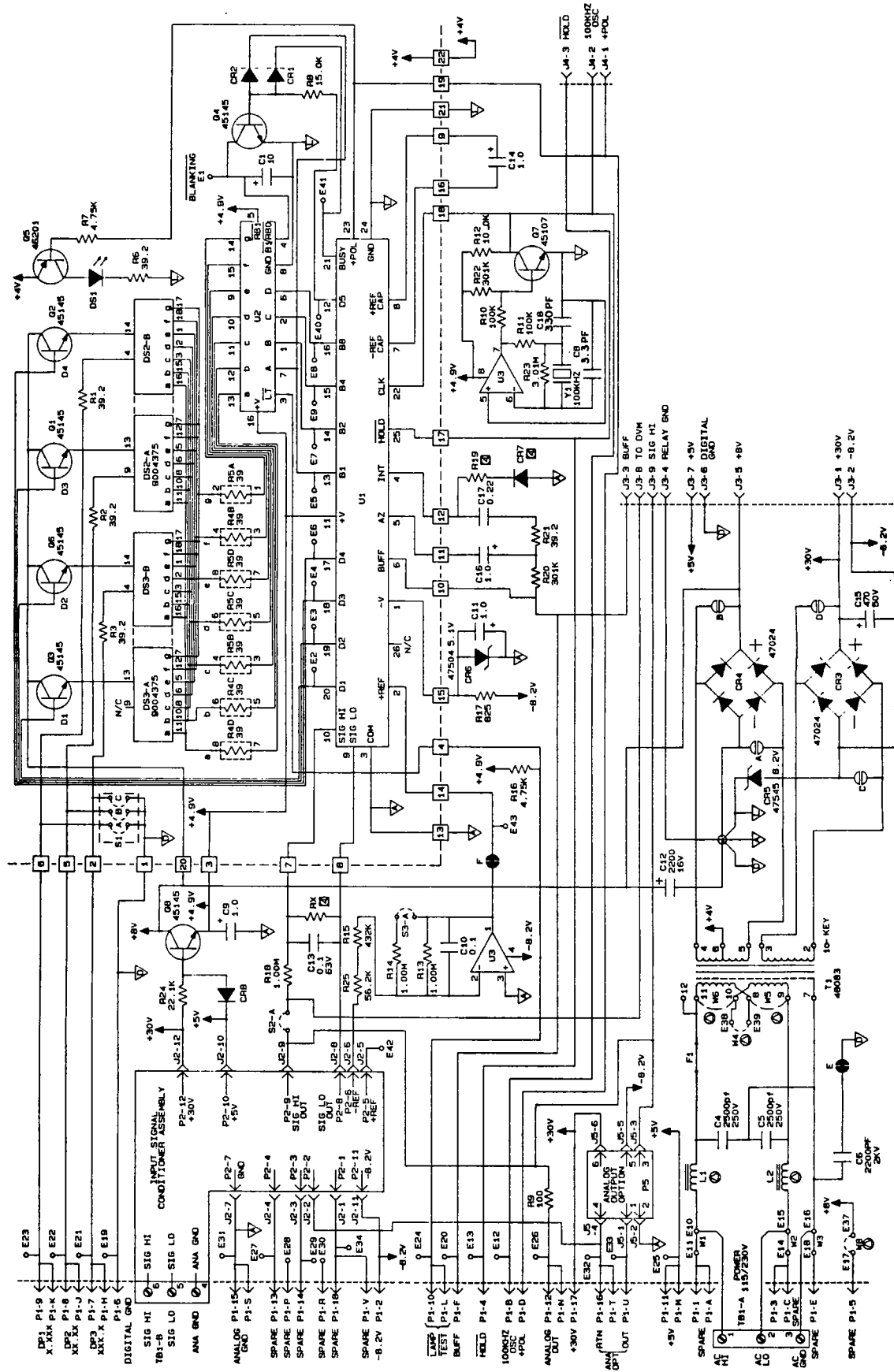
NOTE: Dimensions are in millimeters $\pm 0,25$ mm and inches are in () ± 0.01 in



REAR VIEW
Terminal block cover and bezel not shown for clarity.
Clamp rings rotated and slide retainers removed as shown for installation.



16.3 DP9000 SCHEMATIC DIAGRAM LED



U3	412	8	4	—
U2	247	16	—	8
U1	7135	11	—	24
DESIG	TYPE	+4.9V	-8.2V	GND

17.0

SPECIFICATIONS: BSCP PROCESS SIGNAL CONDITIONER

17.1 GENERAL

This option board, identified as BSCP (DP2000-P or DP9000-P), provides extensive offset and scaling capability, permitting a wide selection of readout span for input current spans of 1 to 50 mA FS or for input voltage spans of 0.5 to 20 V FS. The DP2000 or DP9000 prefix is determined by the main assembly board used with the BSCP option board.

Selection of gain and offset ranges is made by push-on jumpers between 0.025" square pins on 0.1" centers. Six current ranges and six voltage ranges are provided, as well as push-on jumpers for offset and polarity to preserve the resolution and adjustability of the offset and gain potentiometers.

Formulas and computation procedures are supplied for calculating the proper model number based on the desired HI and LO input values and the top and bottom readout values chosen.

The BSCP has a restricted common-mode range: the BSCS strain gauge signal conditioner is recommended for signals with sizeable common-mode levels.

17.2 DP2000-P & DP9000-P: PROCESS SIGNAL INPUT SPECIFICATIONS

Configuration	Single-ended, meter ground common to input LO.
Polarity	Bipolar
Span Ranges	Internally selectable by push-on jumpers 0 to 25% 25 to 50% 50 to 75% 75 to 100%
Zero Offset Ranges	Internally selectable by push-on jumpers -215 to -77 mV -77 to +54 mV +54 to +190 mV +165 to +295 mV
Fine Zero Offset	50% of full scale minimum (front panel adjustment by potentiometer)

VOLTAGE RECEIVER

Readout Range	-1999 to +1999 (DP2000-P)						
Readout Range	-9999 to +9999 (DP9000-P)						
Input Range	0.5	1.0	2.0	5.0	10.0	20.0	V FS
Input Impedance	0.10	0.25	0.50	1.09	1.04	1.02	MOhms
Bias Current	100	50	25	13	13	13	pA
NMR at 50/60 Hz	60	56	54	50	50	50	dB

Maximum Voltage: 250 Vp

DC CURRENT RECEIVER

Readout Range	-1999 to +1999 (DP2000-P)						
Readout Range	-9999 to +9999 (DP9000-P)						
Input Range	1.0	2.0	5.0	10.0	20.0	50.0	mA FS
Maximum Current	16	22	35	50	70	112	mA
Shunt Resistance	499	249	100	49.9	24.9	10.0	ohms
Full Scale Voltage Drop	0.5	0.5	0.5	0.5	0.5	0.5	V FS
NMR at 50/60 Hz	60	60	60	60	60	60	dB

Common Mode

Analog ground to ac power ground

CMR at dc to 60 Hz

120 dB

CMV at dc to 60 Hz

± 1500 Vp per HV test

± 354 Vp per IEC spacing

Accuracy at 25 C

Maximum Errors

DP2000-P

$\pm 0.05\%$ R ± 1 count

DP9000-P

$\pm 0.05\%$ R ± 2 counts

Reading Tempco

$\pm 0.01\%$ R/ $^{\circ}$ C

Zero Tempco

$\pm 0.01\%$ R/ $^{\circ}$ C

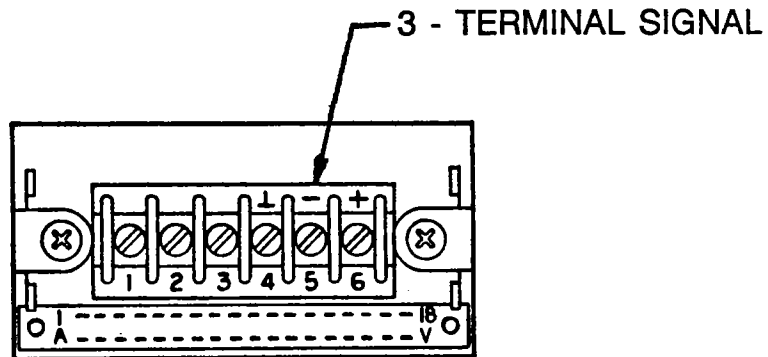
Warmup to rated accuracy

Less than 10 minutes

18.0 SIGNAL INPUT CONNECTIONS (TB1) (SEE FIGURE 5)

The signal input connections for the BSCP Process Signal Conditioner are made at the standard 3-terminal barrier strip:

<u>Terminal Connection</u>	<u>Signal</u>	<u>Input</u>
4	No Connection	*
5	- Signal LO	* _____ -
6	+ Signal HI	* _____ +



REAR TERMINAL VIEW
 FIGURE 5. SIGNAL INPUT CONNECTIONS

19.0 TESTS AND DIAGNOSTICS

- The signal conditioner board BSCP is designed to function with a main assembly as a minimum configuration. There is no provision for testing a signal conditioner board alone.
- Signal input requirements for your configuration are identified in the specifications for the BSCP signal conditioner.
- Operating power and connections for your configuration are identified in the Main Assembly Sections of this manual.

NOTE: If using Main Assembly DP2000, refer to Section DP20/DP29.
 If using Main Assembly DP9000, refer to Section DP90/DP98.

- Inspect the panel meter for physical damage. If damage is apparent, contact OMEGA Engineering Customer Service Department at 1-800-622-2378.

19.1 FUNCTIONAL ELECTRICAL TESTING

NOTE: Perform this test after your meter has been configured.

1. Short terminals 5 and 6 on barrier strip (TB1).
2. Apply proper power for your configuration to terminals 1, 2 and 3 on barrier strip (TB1). Display will read approximately the zero offset number (ZON) from Section 20.3.

20.0 CONFIGURATION PROCEDURE

20.1 GENERAL

Use this procedure to determine the configuration of the BSCP Process Signal Option.

Configure the unit using the push-on jumpers provided separately or already positioned on the pin forests. Pin forest designations are shown with each configuration chart.

20.2 GLOSSARY

The chart below explains various terms which appear throughout the following procedure:

<u>Voltmeter Range Selection</u>	<u>Input Range, Full Scale For DP2000-P & DP9000-P</u>
VM1	$\pm 190/235$ mV
VM2	$\pm 233/350$ mV
VM3	$\pm 348/450$ mV
VM4	$\pm 440/580$ mV
VM5	$\pm 575/850$ mV
VM6	$\pm 800/1030$ mV
VM7	$\pm 1.0/1.5$ V
VM8	$\pm 1.4/1.8$ V
VM9	$\pm 1.7/2.5$ V
VM10	$\pm 2.4/3.1$ V
VM11	$\pm 3.0/4.5$ V
VM12	$\pm 4.4/5.1$ V
VM13	$\pm 5.0/6.5$ V
VM14	$\pm 6.4/9.6$ V
VM15	$\pm 9.5/11.0$ V

<u>Current Range Selection</u>	<u>Input Range, Full Scale For DP2000-P & DP9000-P</u>
AM1	$\pm 370/470$ μ A
AM2	$\pm 460/700$ μ A
AM3	$\pm 690/800$ μ A
AM4	$\pm 790/940$ μ A
AM5	$\pm 935/1400$ μ A
AM6	$\pm 1.39/1.91$ mA
AM7	$\pm 1.90/2.35$ mA
AM8	$\pm 2.33/3.50$ mA
AM9	$\pm 3.48/4.00$ mA
AM10	$\pm 3.90/4.70$ mA
AM11	$\pm 4.65/7.00$ mA

AM12	<u>+6.90/7.80 mA</u>
AM13	<u>+7.70/9.40 mA</u>
AM14	<u>+9.35/14.0 mA</u>
AM15	<u>+13.9/19.1 mA</u>
AM16	<u>+19.0/23.5 mA</u>
AM17	<u>+23.3/35.0 mA</u>
AM18	<u>+34.0/51.0 mA</u>

Zero Offset Selection	Output Count	Offset Range
	<u>DP2000-P</u>	<u>DP9000-P</u>
ZO1	-3000/-1895	-15000/-9475
ZO2	-1900/-600	-9500/-3000
ZO3	-605/+870	-3025/+4350
ZO4	+865/+2100	+4325/+10500

<u>Abbr</u>	<u>Definition</u>
ZON	Zero Offset Number
LI	Lower Input Number
UI	Upper Input Number
LD	Lower Display Number
UD	Upper Display Number
G	Gain in Counts/Input

20.3 SELECTION

If the Input is to be configured as a:

- Voltmeter, proceed to Section 20.3.1
- Ammeter, proceed to Section 20.3.2
- Voltage Receiver, proceed to Section 20.3.3
- Current Receiver, proceed to Section 20.3.4

20.3.1 Voltmeter Range Selection VM1,2,3,4,5,6,7,8,9,10,11,12,13,14,15 *

1. Specify the magnitude of the largest + or - input voltage:
 DP2000-P: VM = _____ Volts (For a 2000 count reading)
 DP9000-P: VM = _____ Volts (For a 10000 count reading)
2. Select the lowest range where VM (from step 1) is equal to or less than the limit of that range.
 VM1 = 0.235 V VM6 = 1.030 V VM11 = 4.500 V
 VM2 = 0.350 V VM7 = 1.500 V VM12 = 5.100 V
 VM3 = 0.450 V VM8 = 1.800 V VM13 = 6.500 V
 VM4 = 0.580 V VM9 = 2.500⁰V VM14 = 9.600 V
 VM5 = 0.850 V VM10 = 3.100 V VM15 = 11.00 V
 VM = _____ This selection will be use in configuring the meter (Section 21.1).
3. Proceed to Installation (Section 20.4).

* Range Selection assumes that the meter has an offset range (ZO3) selected which allows a shorted input to read 000 on the DP2000-P display and 0000 on the DP9000-P display.

20.3.2 Ammeter Range Selection

(AM1,2,3,4,5,6,7,8,9,10,11,12,13,14,15,16,17,18) *

1. Specify the magnitude of the largest + or - input current.

DP2000-P = AM = _____ mA (For a 2000 count reading)

DP9000-P = AM = _____ mA (For a 10000 count reading)

2. Select the highest current range where AM is equal to or less than the limit of that range.

AM1 = 0.470 mA

AM7 = 2.350 mA

AM13 = 9.400 mA

AM2 = 0.700 mA

AM8 = 3.500 mA

AM14 = 14.00 mA

AM3 = 0.800 mA

AM9 = 4.000 mA

AM15 = 19.10 mA

AM4 = 0.940 mA

AM10 = 4.700 mA

AM16 = 23.50 mA

AM5 = 1.400 mA

AM11 = 7.000 mA

AM17 = 35.00 mA

AM6 = 1.910 mA

AM12 = 7.800 mA

AM18 = 51.00 mA

AM = _____ This selection will be used in configuring the meter (Section 21.2).

3. Proceed to Installation (Section 20.4).

20.3.3 Voltage Receiver Selection

P1 thru P7

1. Using the Input Span Range and the required display readings, calculate the zero offset required (with polarity).

(LI) Lower Input = _____

(UI) Upper Input = _____

(LD) Lower Display = _____

(UD) Upper Display = _____

2. When specifying the lower input (LI) and upper input (UI), the maximum display reading for a DP2000-P is ± 1999 . The maximum display for a DP9000-P is ± 9999 .

$$ZON = \frac{(LD \times UI) - (UD \times LI)}{(UI - LI)} = \underline{\hspace{2cm}}$$

3. Select a Zero Offset Range (ZO) from the appropriate OMEGA series where the Zero Offset Number (ZON) falls between the minimum and maximum numbers of that range.

DP2000-P

DP9000-P

ZO1 = -3000/-1895

ZO1 = -15000/-9475

ZO2 = -1900/-600

ZO2 = -9500/-3000

ZO3 = -605/+870

ZO3 = -3025/+4350

ZO4 = +865/+2100

ZO4 = +4325/+10500

ZO = _____ This selection will be used in configuring the meter (Section 21.5).

4. Using the same LI, UI, LD, and UD numbers, calculate the Gain (G) in Counts/Input.

$$\text{Gain (G)} = \frac{(\text{UD} - \text{LD})}{(\text{UI} - \text{LI})} = \underline{\hspace{2cm}}$$

5. Select the voltage range which contains the Gain (G) number calculated in step 4.

Voltage Receiver <u>Selection</u>	Input <u>Span</u>	Output Count Range	
		<u>DP2000P</u>	<u>DP9000P</u>
P1	0/0.5 V	80/2850	400/14250
P2	0/0.5 V	2840/5500	14200/27500
P3	0/0.5 V	5490/8170	27450/40850
P4	0/5.0 V	8/231	40/1155
P5	0/5.0 V	230/449	1150/2245
P6	0/10.0 V	4/114.5	20/572
P7	0/10.0 V	114/223	570/1115

VR = _____ (Counts/Volts) This selection will be used in configuration (Section 21.3).

6. Proceed to Installation (Section 20.4).

20.3.4 Current Receiver Selection

CR1,2,3,4,5,6,7,8,9,10,11,12,13,14,15,16,17,18,19,20,21,22,23,24

1. Using the Input Span Range and the required Display Reading, calculate the zero offset required (with polarity).

(LI) Lower Input = _____

(UI) Upper Input = _____

(LD) Lower Display = _____

(UD) Upper Display = _____

2. When specifying the Lower Input (LI) and Upper Input (UI), the maximum display reading for a DP2000-P is ± 1999 . The maximum reading for a DP9000-P is ± 9999 .

$$\text{ZON} = \frac{(\text{LD} \times \text{UI}) - (\text{UD} \times \text{LI})}{(\text{UI} - \text{LI})}$$

3. Select a Zero Offset Range (ZO) from the appropriate OMEGA series where the calculated Zero Offset Number (ZON) falls between the minimum and maximum numbers of that range.

DP2000-P

DP9000-P

ZO1 = -3000/-1895

ZO1 = -15000/-9475

ZO2 = -1900/-600

ZO2 = -9500/-3000

ZO3 = -605/+870

ZO3 = -3025/+4350

ZO4 = +865/+2100

ZO4 = +4325/+10500

ZO = _____ This selection will be used in configuring the meter (Section 21.5).

4. Using the same LI, UI, LD, and UD numbers used, calculate the Gain (G) in Counts/Input.

$$\text{Gain (G)} = \frac{(\text{UD} - \text{LD})}{(\text{UI} - \text{LI})} = \underline{\hspace{2cm}}$$

5. Using the chart on page 39, select the Count Output Range required for the Input Span Range chosen.
6. Select the group of four CR ranges under the Input Span Range required.
7. Select one of the four ranges which contains the Gain (G) number calculated.

Current Receiver Selection	Input Span	Counts per Milliamp	
		<u>DP2000-P</u>	<u>DP9000-P</u>
P8	4.0/20.0 mA	2.5/70.4	13/352
P9	4.0/20.0 mA	70.2/137	351/685
P10	10.0/50.0 mA	1/28.2	5/141
P11	10.0/50.0 mA	28.1/55	141/275

CR = _____ (Counts/mA) This selection will be used in configuration (Section 21.4).

8. Proceed to Installation (Section 20.4).

20.4 INSTALLATION

20.4.1 General

If unit is to be configured as a voltmeter (VM1-15) or an ammeter (AM1-18) then zero offset (Z03) is required.

Select the Voltmeter (VM1-15), Ammeter (AM1-18), Voltage Receiver (VR1-24), Current Receiver (CR1,24), and/or the Zero Offset (Z01-4) required. Install the push-on jumpers as per pages 44 through 52 depending on which range is required.

20.4.2 Reference Voltage (DP9000-P only)

Select reference RV2 by removing any jumpers on position S3 as per Subsection 13.3 in Main Assembly Section DP90/DP98.

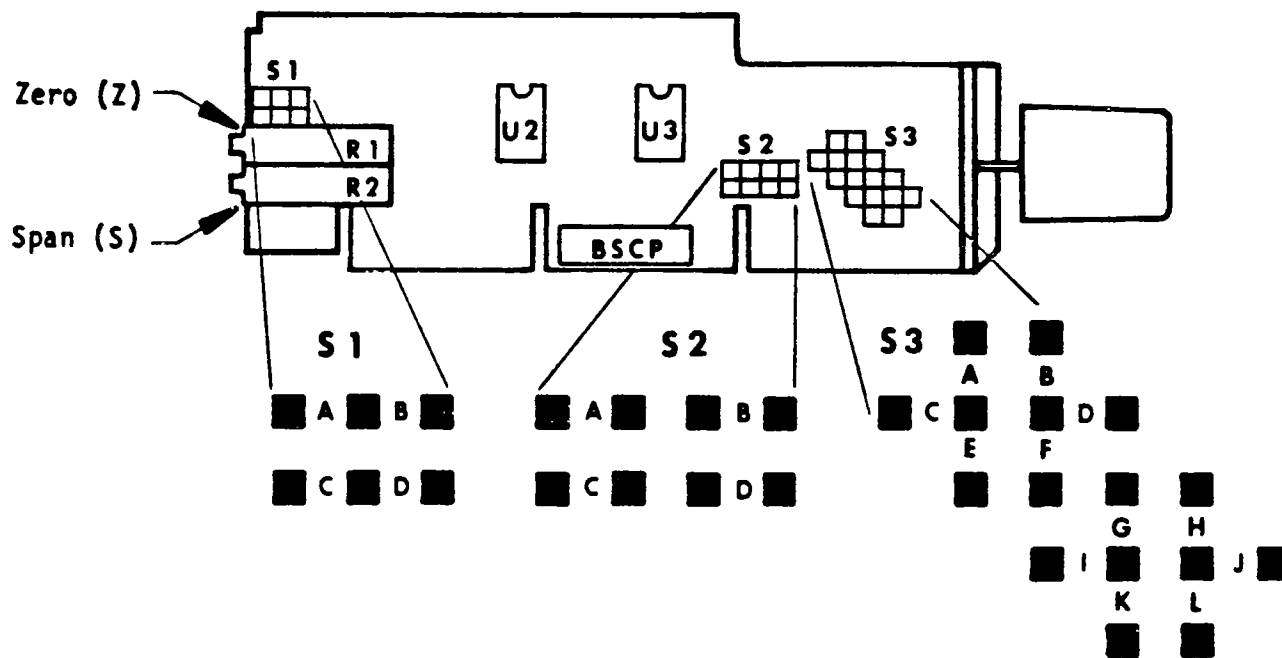
20.4.3 Decimal Point

If a decimal point is required, refer to the appropriate Main Assembly Section for location and configuration procedure.

NOTE: If using Main Assembly DP2000, refer to Section DP20/DP29.
If using Main Assembly DP9000, refer to Section DP90/DP98.

21.0 CONFIGURATION CHARTS

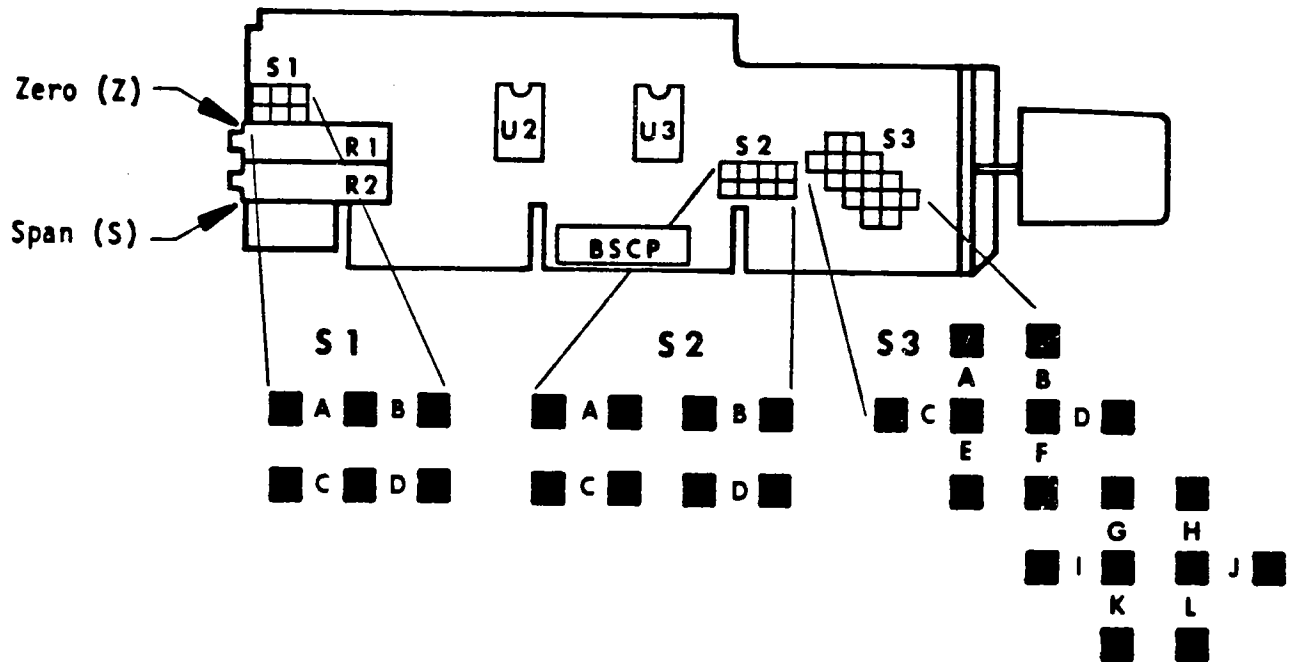
21.1 VOLTMETER (VM1-6)



Step 1: Remove all push-on jumpers not used in the desired configuration(s).							
Step 2: Select the desired configuration from the chart below, then install the push-on jumpers indicated.							
Voltmeter Configuration*		S1	S2		S3		Input Resistance
VM1	$\pm 190/235$ mV	B	C	D	G	-	100 kOhms
VM2	$\pm 233/350$ mV	B	A	D	G	-	100 kOhms
VM3	$\pm 348/450$ mV	B	B	C	G	-	100 kOhms
VM4	$\pm 440/580$ mV	B	C	D	H	-	230 kOhms
VM5	$\pm 575/850$ mV	B	A	D	H	-	230 kOhms
VM6	$\pm 800/1030$ mV	B	C	D	J	-	385 kOhms

* Used on the DP2000-P or DP9000-P.

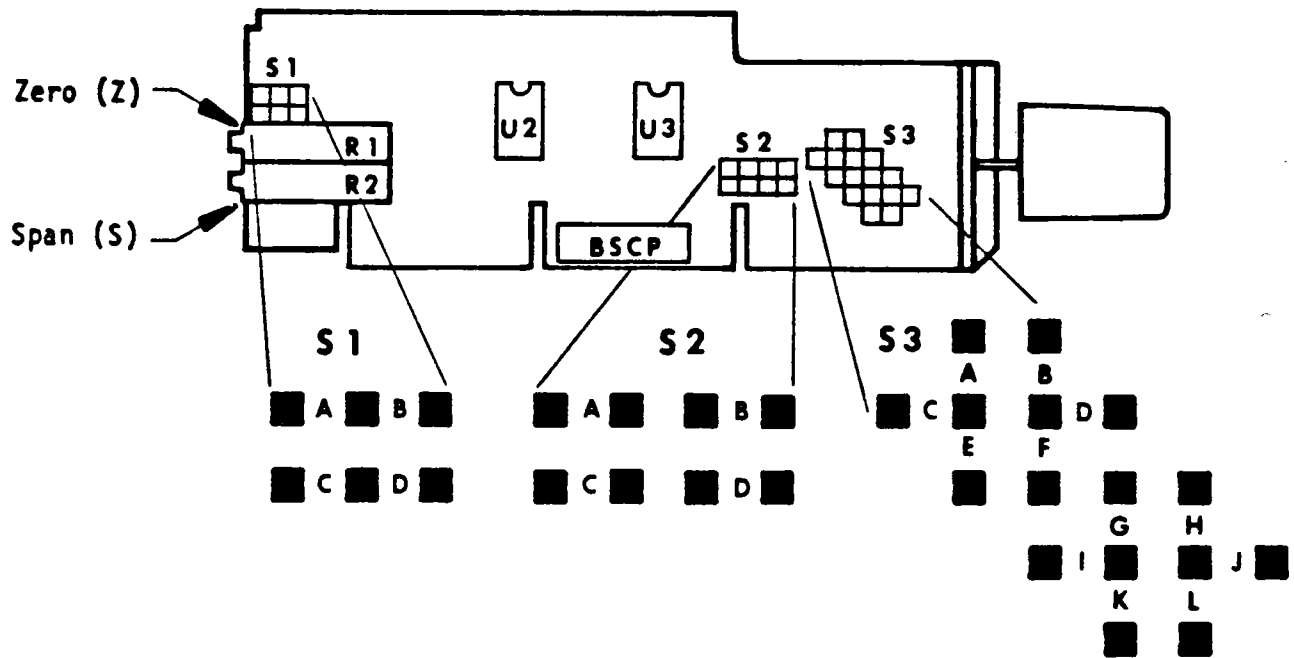
VOLTMETER (VM7-15)



Voltmeter Configuration*		S1	S2		S3		Input Resistance
VM7	$\pm 1.0/1.5$ V	B	A	D	J	-	385 kOhms
VM8	$\pm 1.4/1.8$ V	B	C	D	J	K	325 kOhms
VM9	$\pm 1.7/2.5$ V	B	A	D	J	K	325 kOhms
VM10	$\pm 2.4/3.1$ V	B	C	D	I	-	1 MOhm
VM11	$\pm 3.0/4.5$ V	B	A	D	I	-	1 MOhm
VM12	$\pm 4.4/5.1$ V	B	B	C	I	-	1 MOhm
VM13	$\pm 5.0/6.5$ V	B	C	D	K	-	1 MOhm
VM14	$\pm 6.4/9.6$ V	B	A	D	K	-	1 MOhm
VM15	$\pm 9.5/11.0$ V	B	B	C	K	-	1 MOhm

* Used on the DP2000-P or DP9000-P.

21.2 AMMETER (AM1-6)



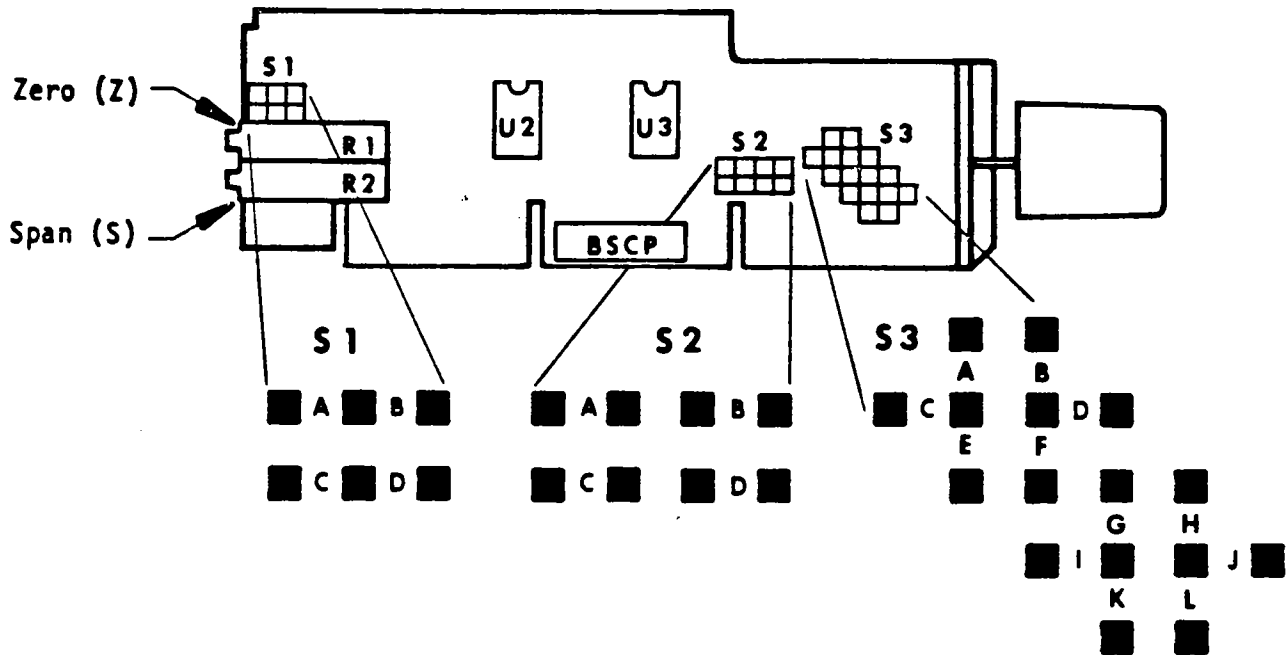
Step 1: Remove all push-on jumpers not used in the desired configuration(s).

Step 2: Select the desired configuration from the chart below, then install the push-on jumpers indicated.

Ammeter Configuration*		S1	S2		S3		Input Resistance
AM1	$\pm 370/470 \text{ uA}$	B	C	D	A	G	490 ohms
AM2	$\pm 460/700 \text{ uA}$	B	A	D	A	G	490 ohms
AM3	$\pm 690/800 \text{ uA}$	B	B	C	A	G	490 ohms
AM4	$\pm 790/940 \text{ uA}$	B	C	D	B	G	240 ohms
AM5	$\pm 935/1400 \text{ uA}$	B	A	D	B	G	240 ohms
AM6	$\pm 1.39/1.91 \text{ uA}$	B	B	C	B	G	240 ohms

* Used on the DP2000-P or DP9000-P.

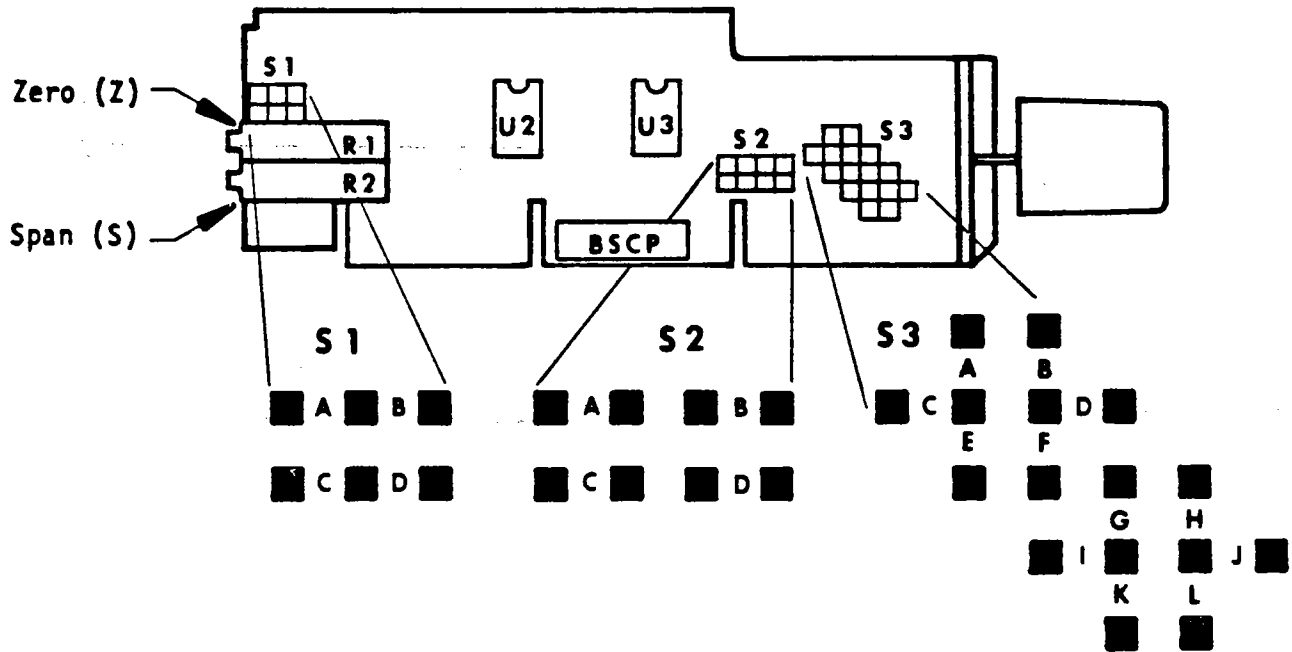
AMMETER (AM7-18)



Ammeter Configuration*		S1	S2		S3		Input Resistance
AM7	$\pm 1.90/2.35$ mA	B	C	D	D	G	100 ohms
AM8	$\pm 2.33/3.50$ mA	B	A	D	D	G	100 ohms
AM9	$\pm 3.48/4.00$ mA	B	B	C	D	G	100 ohms
AM10	$\pm 3.90/4.70$ mA	B	C	D	F	G	50 ohms
AM11	$\pm 4.65/7.00$ mA	B	A	D	F	G	50 ohms
AM12	$\pm 6.90/7.80$ mA	B	B	C	F	G	50 ohms
AM13	$\pm 7.70/9.40$ mA	B	C	D	E	G	25 ohms
AM14	$\pm 9.35/14.0$ mA	B	A	D	E	G	25 ohms
AM15	$\pm 13.9/19.1$ mA	B	B	C	E	G	25 ohms
AM16	$\pm 19.0/23.5$ mA	B	C	D	C	G	10 ohms
AM17	$\pm 23.3/35.0$ mA	B	A	D	C	G	10 ohms
AM18	$\pm 34.0/51.0$ mA	B	B	C	C	G	10 ohms

* Used on the DP2000-P or DP9000-P.

VOLTAGE RECEIVER (P1-P7)

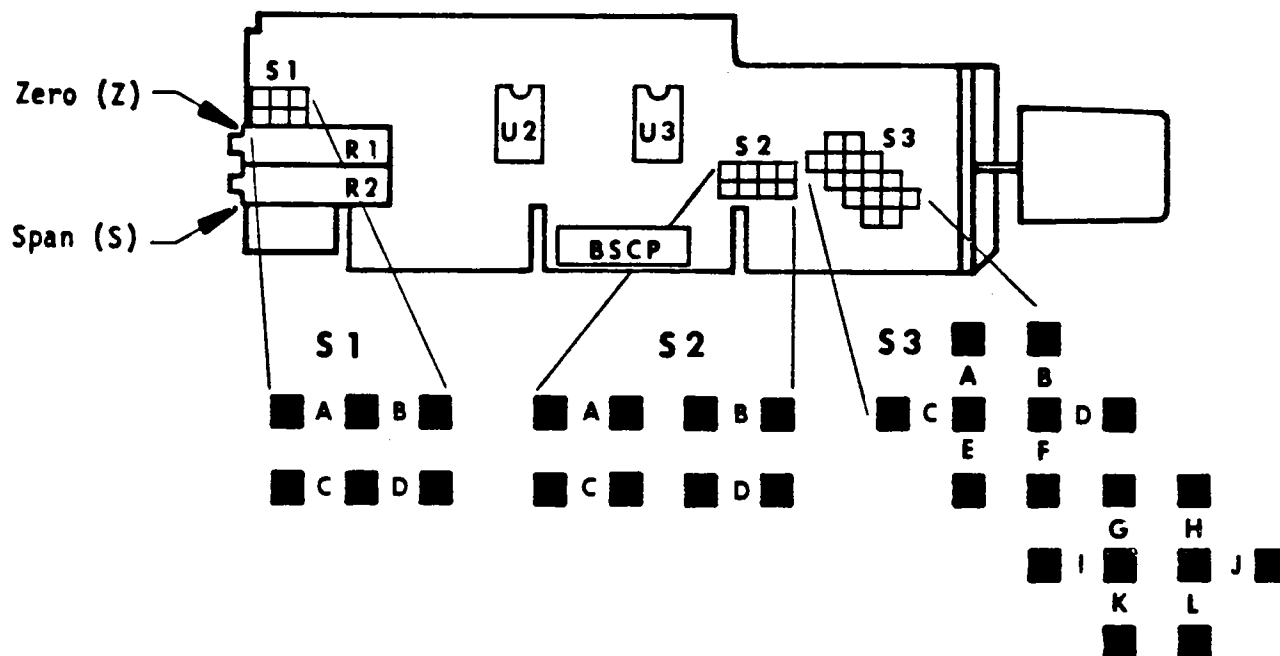


Step 1: Remove all push-on jumpers not called out for the configuration(s) desired.

Step 2: Select the desired configuration from the chart below and install the push-on jumpers indicated.

Voltage Receiver Configuration		S2		S3	Counts/Volt DP2000-P	Counts/Volt DP9000-P
P1	0.5 V Input	A	B	G	80/2850	400/14250
P2	0.5 V Input	B	C	G	2840/5500	14200/27500
P3	0.5 V Input	A	D	G	5490/8170	27450/40850
P4	5.0 V Input	A	B	I	8/231	40/1155
P5	5.0 V Input	B	C	I	230/449	1150/2245
P6	10.0 V Input	A	B	K	4/114.5	20/572
P7	10.0 V Input	B	C	K	114/223	570/1115

CURRENT RECEIVER (P8-P11)

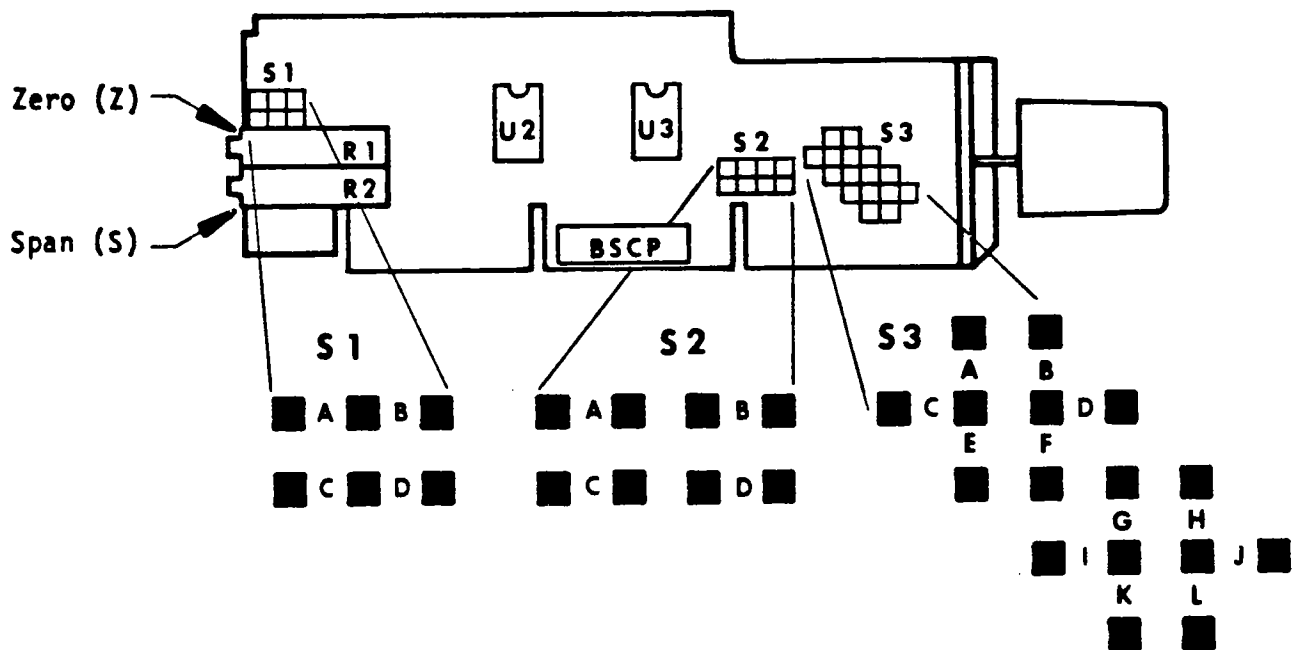


Step 1: Remove all push-on jumpers not called out for the configuration(s) desired.

Step 2: Select the desired configuration from the chart below and install the push-on jumpers indicated.

Current Receiver Configuration		S2		S3		Counts/mA DP2000-P	Counts/mA DP9000-P
P8	4.0/20.0 mA Input	A	B	E	G	2.5/70.4	12/352
P9	4.0/20.0 mA Input	B	C	E	G	70.2/137	351/685
P10	10.0/50.0 mA Input	A	B	C	G	1/28.2	5/141
P11	10.0/50.0 mA Input	B	C	C	G	28.1/55	140/275

21.5 ZERO OFFSET (Z01-4)



Step 1: Remove all push-on jumpers not used in the desired configuration(s).			
Step 2: Select the desired configuration from the chart below, then install the push-on jumpers indicated.			
Zero Offset Configuration			S1
	DP2000-P	DP9000-P	
ZO1	-3000/-1895 counts	-15000/-9475 counts	A
ZO2	-1900/-600 counts	-9500/-3000 counts	C
ZO3	-605/+870 counts	-3025/+4350 counts	B
ZO4	+865/+2100 counts	+4325/+10500 counts	D

22.0 CALIBRATION FOR DP2000-P

NOTE: The numbers used below are derived from the selection Section 20.3.

22.1 VOLTMETER (VM1-15)

1. Apply a short to the input terminals and adjust the zero (Z) pot (R1) to make the display read 000.
2. Apply an Input Voltage equal to the largest (+) magnitude of the VM range selected and adjust the span (S) pot (R2) to make the display read the appropriate number.
3. Repeat above steps as required to set the display to within ± 1 count.

22.2 AMMETER (AM1-18)

1. Apply a short to the input terminals and adjust the zero (Z) pot (R1) to make the display read 000.
2. Apply an Input Current equal to the largest (+) magnitude of the AM range selected and adjust the span (S) pot (R2) to make the display read the appropriate number.
3. Repeat above steps as required to set the display to within ± 1 count.

22.3 VOLTAGE RECEIVER (VR1-24)

1. Apply a short to the input terminals and adjust the zero (Z) pot (R1) to make the display read the Zero Offset Number (ZON) calculated.
2. Apply an Input Voltage equal to the Upper Input (UI) number used and adjust the span (S) pot (R2) to make the display read that number.
3. Repeat above steps as required to set the display readings to within ± 1 count.

22.4 CURRENT RECEIVER (CR1-24)

1. Apply a short to the input terminals and adjust the zero (Z) pot (R1) to make the display read the Zero Offset Number (ZON) calculated.
2. Apply an Input Current equal to the Upper Input (UI) number used and adjust the span (S) pot (R2) to make the display read that number.
3. Repeat above steps as required to set the display readings to within ± 1 count.

23.0 CALIBRATION FOR DP9000-P

NOTE: The numbers used below are derived from the selection Section 20.3.

23.1 VOLTMETER (VM1-15)

1. Apply a short to the input terminals and adjust the zero (Z) pot (R1) to make the display read 0000.
2. Apply an Input Voltage equal to the largest (+) magnitude of the VM range selected and adjust the span (S) pot (R2) to make the display read the appropriate number.
3. Repeat above steps as required to set the display to within ± 1 count.

23.2 AMMETER (AM1-18)

1. Apply a short to the input terminals and adjust the zero (Z) pot (R1) to make the display read 0000.
2. Apply an Input Current equal to the largest (+) magnitude of the AM range selected and adjust the span (S) pot (R2) to make the display read the appropriate number.
3. Repeat above steps as required to set the display to within ± 1 count.

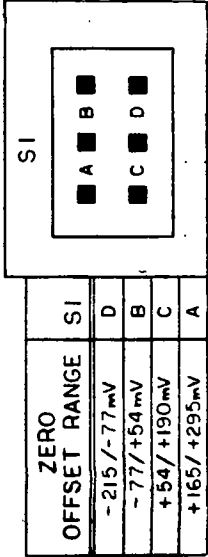
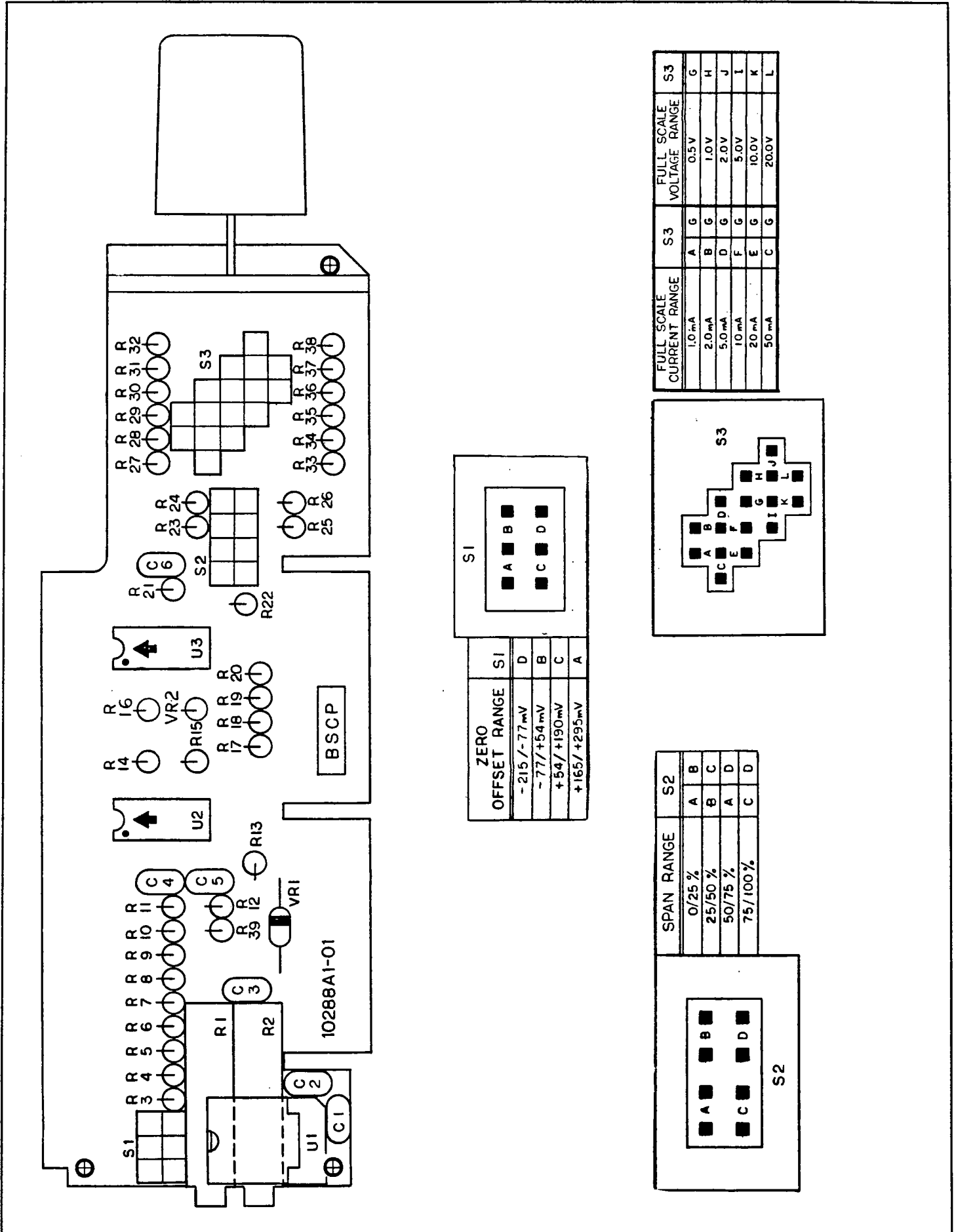
23.3 VOLTAGE RECEIVER (VR1-24)

1. Apply a short to the input terminals and adjust the zero (Z) pot (R1) to make the display read the Zero Offset Number (ZON) calculated.
2. Apply an Input Voltage equal to the Upper Input (UI) number used and adjust the span (S) pot (R2) to make the display read that number.
3. Repeat above steps as required to set the display readings to within ± 1 count.

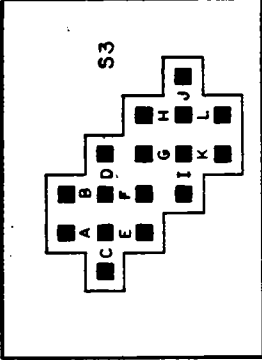
23.4 CURRENT RECEIVER (CR1-24)

1. Apply a short to the input terminals and adjust the zero (Z) pot (R1) to make the display read the Zero Offset Number (ZON) calculated.
2. Apply an Input Current equal to the Upper Input (UI) number used and adjust the span (S) pot (R2) to make the display read that number.
3. Repeat above steps as required to set the display readings to within ± 1 count.

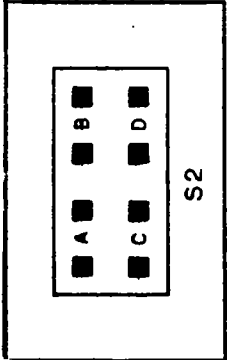
24.0 DRAWINGS
24.1 BSCP ASSEMBLY DIAGRAM



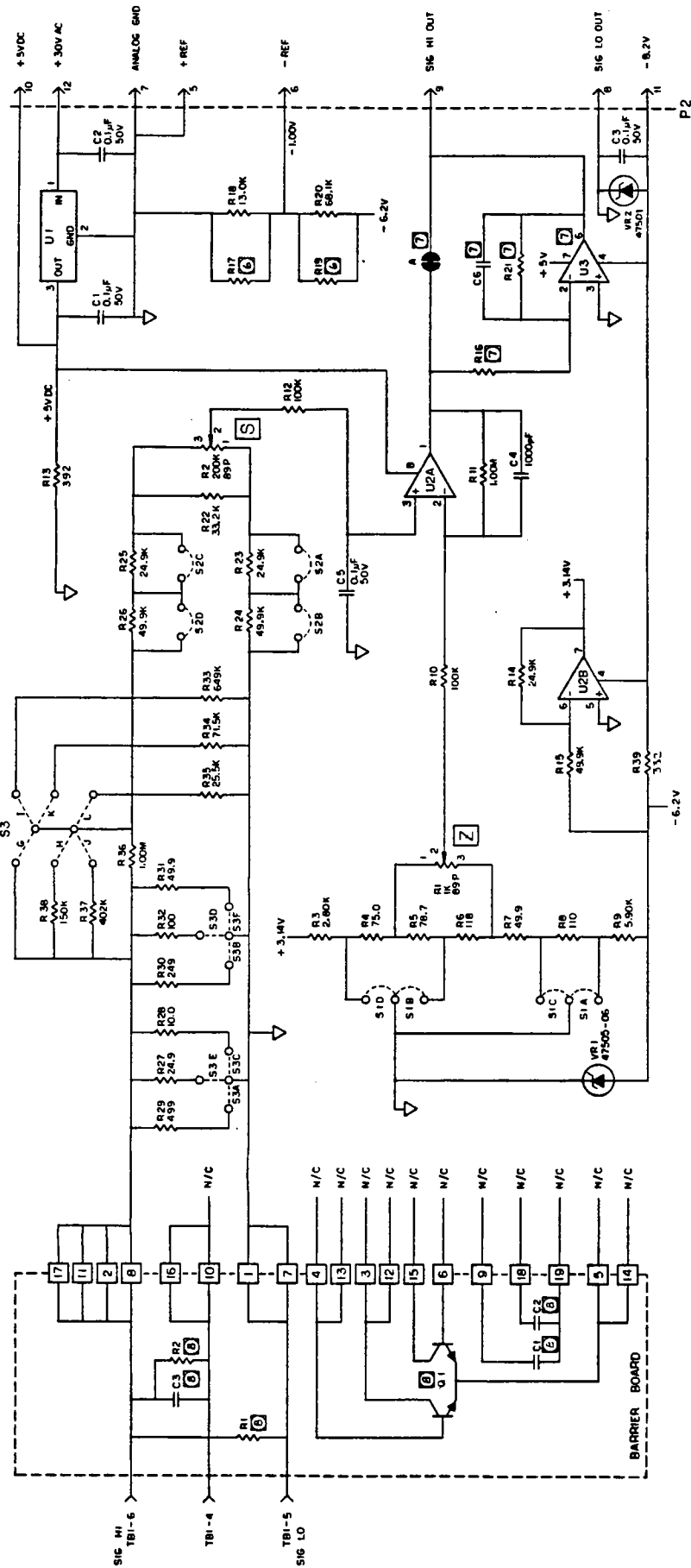
FULL SCALE CURRENT RANGE	S3	FULL SCALE VOLTAGE RANGE	S3
1.0 mA	A G	0.5 V	G
2.0 mA	B G	1.0 V	H
5.0 mA	D G	2.0 V	J
10 mA	F G	5.0 V	L
20 mA	E G	10.0 V	K
50 mA	C G	20.0 V	L



SPAN RANGE	S2
0/25 %	A B
25/50 %	B C
50/75 %	A D
75/100 %	C D



24.2 BSCP SCHEMATIC DIAGRAM

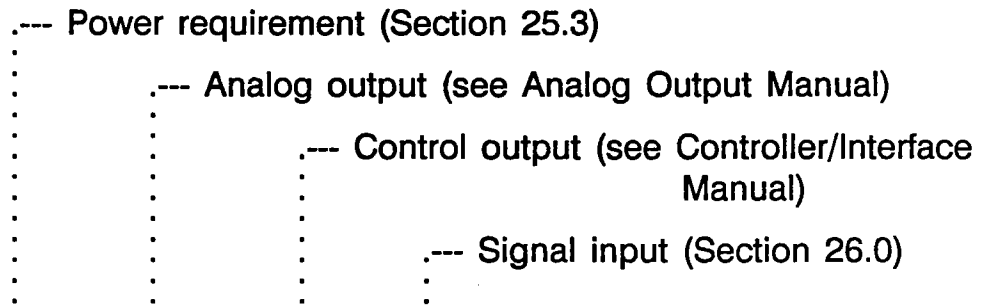


U 3	441	7	4
U 2	TLC27M2	8	4
U 1	78 M05	3	-
DESIG	TYPE	+ 5V	-8.2V

25.0 DIGITAL PANEL METER INSTALLATION INSTRUCTIONS

IMPORTANT:

For proper installation electrical connections must be made according to the model number on the meter label. Write the model number in the following space and use the appropriate instructions for **your** model number.



Model number DP2 _____
Model number DP9 _____

25.1 UNPACKING & INSPECTION

Your OMEGA digital panel meter was systematically inspected and tested, then carefully packed before shipment.

Unpack the instrument and inspect for obvious shipping damage. Notify the freight carrier immediately upon discovery of any shipping damage.

25.2 MECHANICAL INSTALLATION

1. Insure that the panel cutout dimensions are as shown on Figure 6.
2. Remove the lower printed circuit board edge connector, (if installed) J1, by pushing two molded plastic tabs away from the connector body and pulling the connector off the printed circuit board. Remove the printed circuit board edge connector, J2, if upper board output option was ordered.
3. Loosen two clamp screws on the rear of the case enough to rotate the two slide clamps.
4. Slide the two slide retainers toward the rear of the case and remove them.
5. From the front of the panel, insert the meter into the panel cutout.
6. Slide the slide retainers back onto the case and push up tightly against the rear of the panel.
7. Rotate the slide clamps back into their original position and tighten enough to hold the case in place. Overtightening can break the clamps.
8. Install the lower printed circuit board edge connector, if supplied, by pushing it on to the printed circuit board connections. Install the upper printed circuit board edge connector, if used.

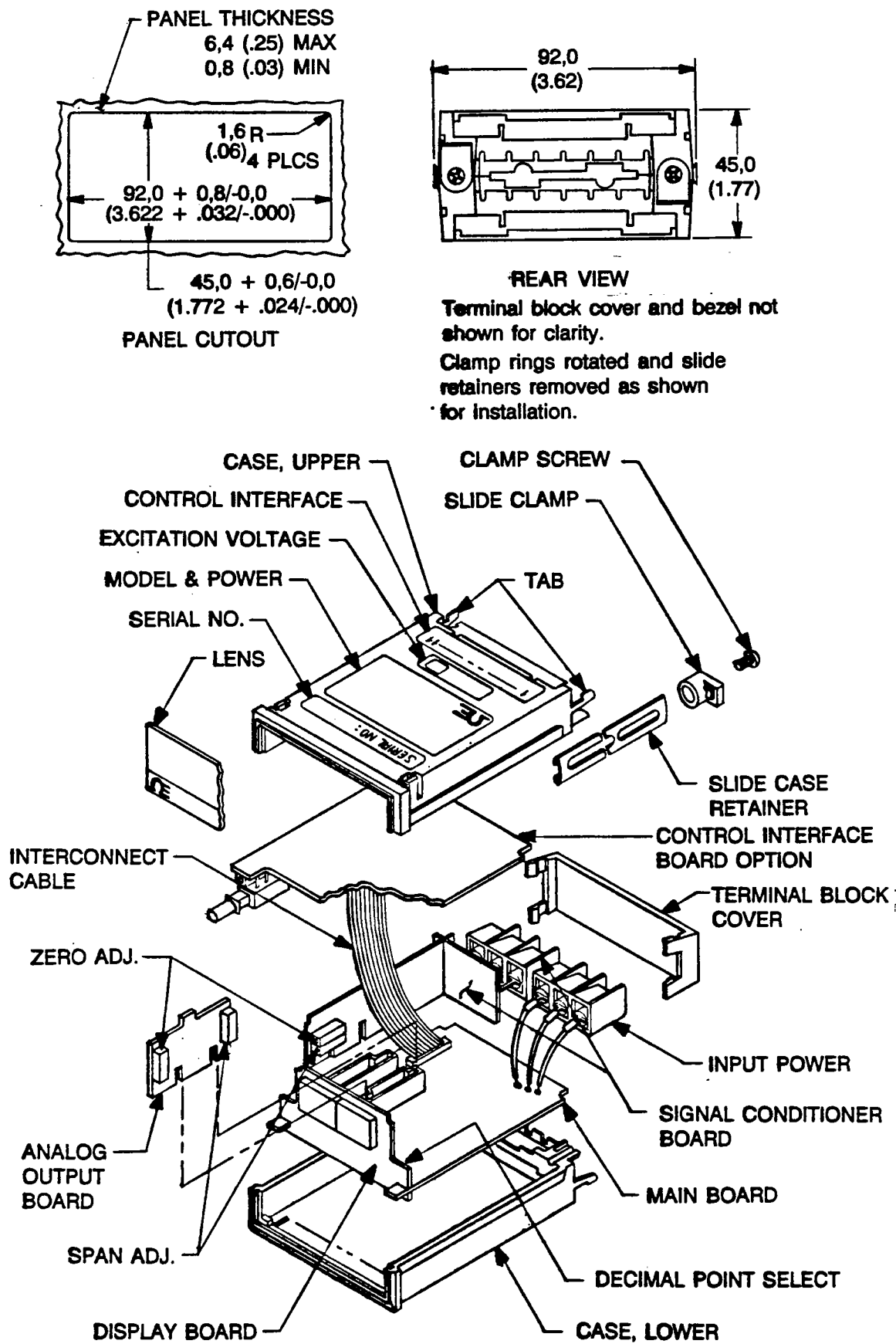


FIGURE 6. PANEL CUTOUT DIMENSIONS AND INSTALLATION

NOTES:

omega . com ®

OMEGA

OMEGAnet™ On-Line Service
<http://www.omega.com>

Internet e-mail
info@omega.com

Servicing North America:

USA:
ISO 9001 Certified

One Omega Drive, Box 4047
Stamford, CT 06907-0047
Tel: (203) 359-1660
e-mail: info@omega.com

FAX: (203) 359-7700

Canada:

976 Bergar
Laval (Quebec) H7L 5A1
Tel: (514) 856-6928
e-mail: canada@omega.com

FAX: (514) 856-6886

For immediate technical or application assistance:

USA and Canada: Sales Service: 1-800-826-6342 / 1-800-TC-OMEGA™
Customer Service: 1-800-622-2378 / 1-800-622-BEST™
Engineering Service: 1-800-872-9436 / 1-800-USA-WHEN™
TELEX: 996404 EASYLINK; 62968934 CABLE: OMEGA

**Mexico and
Latin America:**

Tel: (95) 800-TC-OMEGA™
En Español: (203) 359-7803

FAX: (95) 203-359-7807
e-mail: espanol@omega.com

Servicing Europe:

Benelux:

Postbus 8034, 1180 LA Amstelveen, The Netherlands
Tel: (31) 20 6418405
Toll Free in Benelux: 06 0993344
e-mail: nl@omega.com

FAX: (31) 20 6434643

Czech Republic:

ul. Rude armady 1868, 733 01 Karvina - Hranice
Tel: 420 (69) 6311899
e-mail: czech@omega.com

FAX: 420 (69) 6311114

France:

9, rue Denis Papin, 78190 Trappes
Tel: (33) 130-621-400
Toll Free in France: 0800-4-06342
e-mail: france@omega.com

FAX: (33) 130-699-120

Germany/Austria:

Daimlerstrasse 26, D-75392 Deckenpfronn, Germany
Tel: 49 (07056) 3017
Toll Free in Germany: 0130 11 21 66
e-mail: germany@omega.com

FAX: 49 (07056) 8540

United Kingdom:

ISO 9002 Certified

25 Swannington Road,
Broughton Astley, Leicestershire,
LE9 6TU, England
Tel: 44 (1455) 285520
FAX: 44 (1455) 283912

P.O. Box 7, Omega Drive,
Irlam, Manchester,
M44 5EX, England
Tel: 44 (161) 777-6611
FAX: 44 (161) 777-6622

Toll Free in England: 0800-488-488

e-mail: uk@omega.com

It is the policy of OMEGA to comply with all worldwide safety and EMC/EMI regulations that apply. OMEGA is constantly pursuing certification of its products to the European New Approach Directives. OMEGA will add the CE mark to every appropriate device upon certification.

The information contained in this document is believed to be correct but OMEGA Engineering, Inc. accepts no liability for any errors it contains, and reserves the right to alter specifications without notice.

WARNING: These products are not designed for use in, and should not be used for, patient connected applications.



This device is marked with the international hazard symbol. It is important to read the Setup Guide before installing or commissioning this device as it contains important information relating to safety and EMC.

Where Do I Find Everything I Need for Process Measurement and Control? OMEGA...Of Course!

TEMPERATURE

- ☑ Thermocouple, RTD & Thermistor Probes, Connectors, Panels & Assemblies
- ☑ Wire: Thermocouple, RTD & Thermistor
- ☑ Calibrators & Ice Point References
- ☑ Recorders, Controllers & Process Monitors
- ☑ Infrared Pyrometers

PRESSURE, STRAIN AND FORCE

- ☑ Transducers & Strain Gauges
- ☑ Load Cells & Pressure Gauges
- ☑ Displacement Transducers
- ☑ Instrumentation & Accessories

FLOW/LEVEL

- ☑ Rotameters, Gas Mass Flowmeters & Flow Computers
- ☑ Air Velocity Indicators
- ☑ Turbine/Paddlewheel Systems
- ☑ Totalizers & Batch Controllers

pH/CONDUCTIVITY

- ☑ pH Electrodes, Testers & Accessories
- ☑ Benchtop/Laboratory Meters
- ☑ Controllers, Calibrators, Simulators & Pumps
- ☑ Industrial pH & Conductivity Equipment

DATA ACQUISITION

- ☑ Data Acquisition & Engineering Software
- ☑ Communications-Based Acquisition Systems
- ☑ Plug-in Cards for Apple, IBM & Compatibles
- ☑ Datalogging Systems
- ☑ Recorders, Printers & Plotters

HEATERS

- ☑ Heating Cable
- ☑ Cartridge & Strip Heaters
- ☑ Immersion & Band Heaters
- ☑ Flexible Heaters
- ☑ Laboratory Heaters

ENVIRONMENTAL MONITORING AND CONTROL

- ☑ Metering & Control Instrumentation
- ☑ Refractometers
- ☑ Pumps & Tubing
- ☑ Air, Soil & Water Monitors
- ☑ Industrial Water & Wastewater Treatment
- ☑ pH, Conductivity & Dissolved Oxygen Instruments