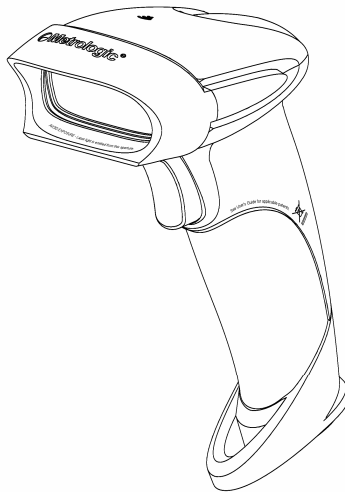




METROLOGIC INSTRUMENTS, INC.
MS9590 VoyagerGS™
Single-Line Hand Held Laser Scanner
Installation and User's Guide



Copyright

© 2007 by Metrologic Instruments, Inc. All rights reserved. No part of this work may be reproduced, transmitted, or stored in any form or by any means without prior written consent, except by reviewer, who may quote brief passages in a review, or provided for in the Copyright Act of 1976.

Trademarks

Metrologic is a registered trademark of Metrologic Instruments, Inc. Products identified in this document are hereby acknowledged as trademarks, registered or otherwise, of Metrologic Instruments, Inc. or their respective companies.

TABLE OF CONTENTS

Introduction

Product Overview	1
Scanner and Accessories	2
Scanner Components	4
Cable Installation and Removal	5
Labels	6

Scanner Installation

RS232 (-14)	7
RS485 (-106)	8
Keyboard Wedge (-47)	9
Stand-Alone Keyboard (-47)	10
USB (-38 and -106)	11

Stand

Flex Stand (PN 46-00709)	12
Components	12
Assembly	13
Optional Fixed Mount	14

Scanner Operation

Default Modes of Operation	15
Scanning with the Manual Activation Mode	15
Maintenance	15

Indicators

Audible	16
Visual	17
Failure Modes	18

Configuration Modes

Upgrading the Flash ROM Firmware

Depth of Field

IR Activation Range

Applications and Protocols

TABLE OF CONTENTS

Troubleshooting Guide	24
Design Specifications	
Operational	27
Mechanical	28
Electrical	28
Environmental	28
Scanner and Cable Terminations	
Scanner Pinout Connections	29
Cable Connector Configurations	30
Limited Warranty	32
Regulatory Compliance	
Safety	33
EMC	34
Patents	36
Index	37
Contact Information and Office Locations.....	39

INTRODUCTION

Product Overview

Metrologic's MS9590 VoyagerGS™ is the newest addition to the Voyager® series of hand-held laser scanners. The MS9590 is the first Voyager product to feature trigger scanning in its design. The VoyagerGS provides an aggressive solution for scanning all standard 1D bar codes in a new ergonomic form factor that maximizes comfort and reduces fatigue.

Key product features include:

- Rapid scan speed of 100 scans per second
- Extended depth of field
- CodeGate® data transmission technology
- Manual-trigger operation and automatic in-stand detection
- Data formatting
- Easy configuration with MetroSelect® bar codes and MetroSet® 2 Windows® compatible software
- A 5-year limited warranty

MODEL	INTERFACE
MS9590 – 14	RS232 - TXD, RXD, RTS, CTS, DTR, DSR
MS9590 – 38	USB* and RS232 Transmit/Receive
MS9590 – 47	Keyboard Wedge, Stand-Alone Keyboard and RS232 Transmit/Receive
MS9590 – 106	RS485, USB** and RS232 Transmit/Receive
<p>* Scanner model is configurable for Keyboard Emulation Mode or Bi-Directional USB Serial Emulation Mode. The default setting is Keyboard Emulation Mode.</p> <p>** Scanner model is configurable for Keyboard Emulation Mode, Bi-Directional USB Serial Emulation Mode, or IBM OEM. The default setting is Keyboard Emulation Mode.</p>	

INTRODUCTION

Scanner and Accessories


BASIC KIT	
Part #	Description
MS9590	MS9590 Bar Code Scanner
00-02544	MetroSelect Single-Line Configuration Guide*
00-05150	MS9590 Series Single-Line Hand Held Laser Scanner Installation and User's Guide*

* Available for download on the Metrologic website - www.metrologic.com

OPTIONAL ACCESSORIES	
Part #	Description
46-00709	Flex Stand
AC to DC Power Transformer- Regulated 5.2VDC @ 1A output.	
46-00525	90VAC to 255VAC, United States, Canada and Japan
46-00526	90VAC to 255VAC, Continental European
46-00870	90VAC to 255VAC, United Kingdom
46-00528	90VAC to 255VAC, Australia
46-00529	90VAC to 255VAC, China

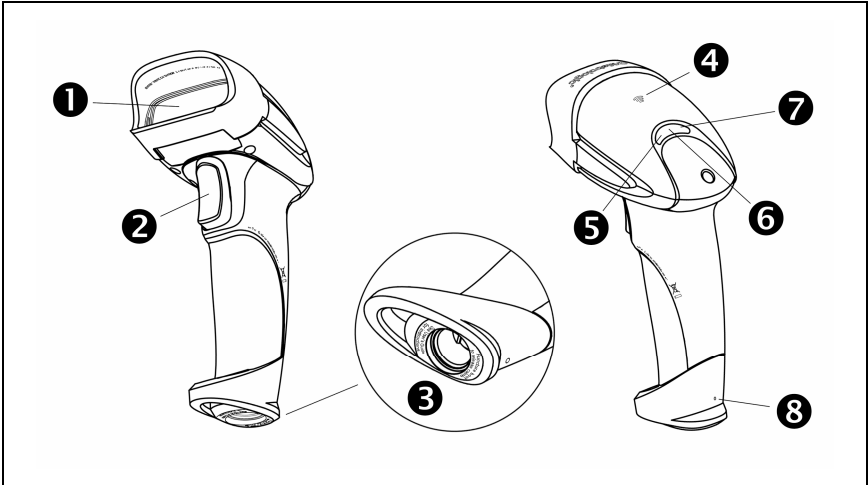
Other items may be ordered for the specific protocol being used. To order additional items, contact the dealer, distributor, or call Metrologic's Customer Service Department at 1-800-ID-METRO or 1-800-436-3876.

Scanner and Accessories

OPTIONAL ACCESSORIES	
Part #	Description
	<p><u>Cable Compatibility Warning</u></p> <p>Use only MS9590 compatible product cables from the list below. Damage may occur to the scanner if incompatible cables are used. Any damage incurred from incorrect cable usage will void the limited warranty shown on page 32.</p>
53-53000.x-3	RS232 PowerLink Cable with Built in Power Jack Black <i>Coiled</i> Cord with Long Strain Relief
53-53802.x-N-3	Keyboard Wedge Cable with Adapter Cable Black <i>Coiled</i> Cord with Long Strain Relief
53-53820.x-N-3	Stand-Alone Keyboard Cable Black <i>Coiled</i> Cord with Long Strain Relief
53-53813.x-N-3	USB Cable, Locking Plus-Power™ Type A Black <i>Coiled</i> Cord with Long Strain Relief
53-53809.x-N-3	USB Cable, Type A Black <i>Coiled</i> Cord with Long Strain Relief
MVC**	Metrologic Voltage Converter Cable ±12VDC to +5.2VDC for RS485 Applications
<p>** Contact a customer service representative for additional information on the MVC converter cable series and the host connections available.</p>	

Other items may be ordered for the specific protocol being used. To order additional items, contact the dealer, distributor, or call Metrologic's Customer Service Department at 1-800-ID-METRO or 1-800-436-3876.

Scanner Components



No.	Item Description	
1	Window	Laser Aperture
2	Trigger	See <i>How to use CodeGate</i> on page 15
3	Cable Connection	10-pin RJ45, Female Socket, See <i>Scanner Pinout Connections</i> on page 29
4	Speaker	See <i>Audible Indicators</i> on page 16
5	White LED	See <i>Visual Indicators</i> on page 17
6	Blue LED	See <i>Visual Indicators</i> on page 17
7	Yellow LED	See <i>Visual Indicators</i> on page 17
8	Cable Release Pin-Hole	See <i>The PowerLink Cable</i> on page 5

Figure 1. Scanner Components

Cable Installation and Removal

Installation

i Important: If the cable is not fully latched, the unit can power intermittently.

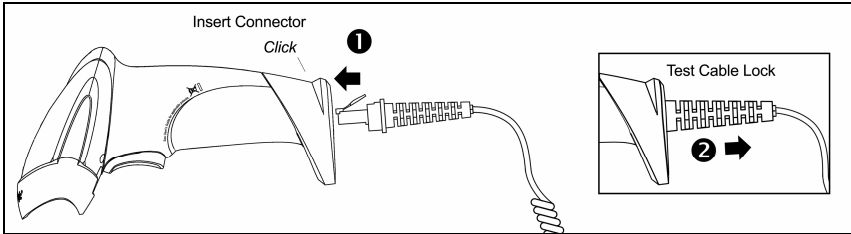


Figure 2. Connecting the Cable

1. Plug the 10-pin RJ45 end of the cable into the 10-pin socket on the MS9590. There will be an audible *click* when the connector lock engages.
2. Gently pull on the cable strain relief to insure the cable is securely installed.

Removal

Before removing the cable from the scanner, Metrologic recommends that power to the host system be turned off. If the cable is a PowerLink cable, disconnect the power supply on the cable.

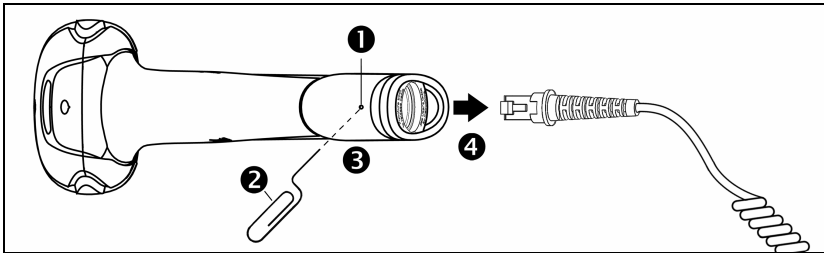


Figure 3. Releasing the Cable

1. Locate the small *dimple* on the handle of the unit near the cable connection.
2. Bend an ordinary paperclip into the shape shown above in *Figure 3*.
3. To release the cable lock, push the end of the paperclip through the rubber on the handle where the *dimple is located*.
4. There will be an audible *click* when the connector lock releases. Pull gently on the strain-relief of the cable to separate the cable from the scanner.

INTRODUCTION

Labels

Every MS9590 has a serial number label located on the underside of the scanner head and molded text on the scanner handle. The label and molded text provide important information such as the unit's date of manufacture, serial number, CE and caution information. See Figure 4 for examples of these items and their location on the scanner.

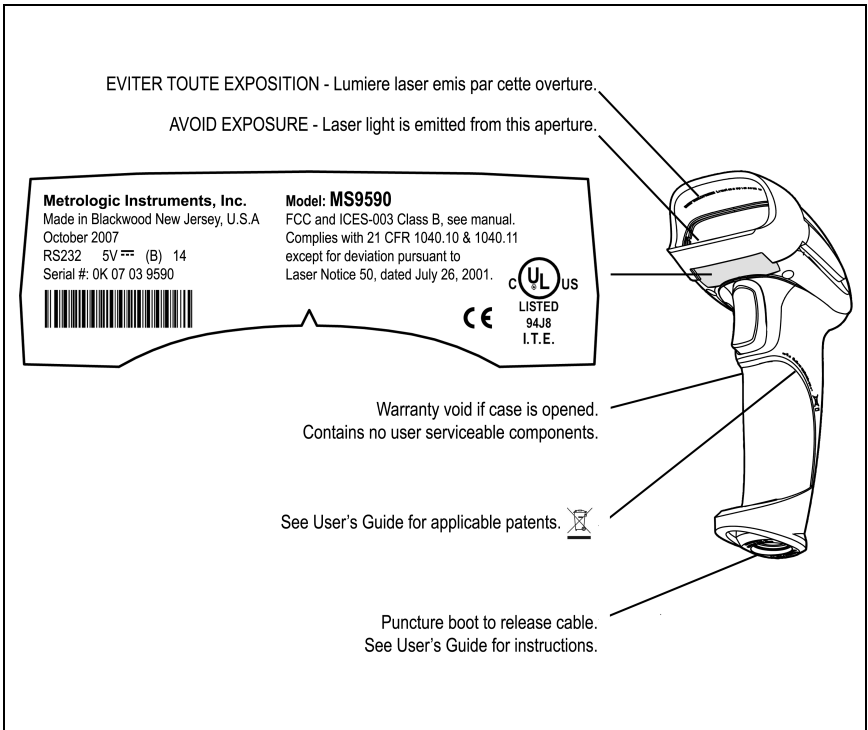


Figure 4 . Molded Text and Serial Number Label



Caution:

To maintain compliance with applicable standards, all circuits connected to the scanner must meet the requirements for SELV (Safety Extra Low Voltage) according to EN/IEC 60950-1.

To maintain compliance with standard CSA-C22.2 No. 60950-1/UL 60950-1 and norm EN/IEC 60950-1, the power source should meet applicable performance requirements for a limited power source.

SCANNER INSTALLATION

RS232 (-14)

1. Turn off the host device.
2. Plug the 10-pin RJ45 end of the PowerLink cable into the 10-pin socket on the MS9590. There will be an audible *click* when the connector lock engages.
3. Connect the 9-pin D-type connector of the PowerLink cable to the proper COM port on the host device.

If the scanner is receiving power from the host system, skip to step #6.

4. Plug the power supply into the power jack on the PowerLink cable.



Check the AC input requirements of the power supply to verify the voltage matches the AC outlet. The outlet must be located near the equipment and be easily accessible.

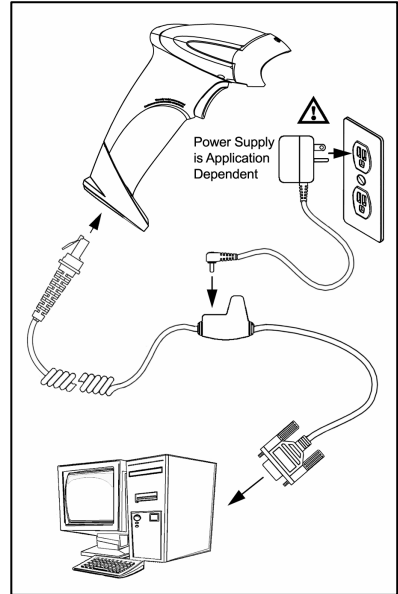


Figure 5.

5. Connect AC power to the transformer.
6. Turn on the host device.



The scanner is shipped from the factory configured to set of default conditions. Plugging the scanner into a port on the host system does not guarantee that the scanned information will be communicated properly to the host device. The scanner and host device *must* use the same communication protocol. Please refer to the MetroSelect Single-Line Configuration Guide or the help files provided with MetroSet2 for instructions on changing the scanner's factory default configuration.



See caution on page 6.

SCANNER INSTALLATION

RS485 (-106)

1. Turn off the host device.
2. Plug the 10-pin RJ45 end of the MVC cable into the 10-pin socket on the MS9590. There will be an audible *click* when the connector lock engages.
3. Connect the other end* of the MVC cable to the host device.
4. Turn on the host device.
5. The blue LED on the scanner will turn on, the white LED will flash, and the scanner will beep once.
6. Scan the bar code below to activate the RS485 interface.

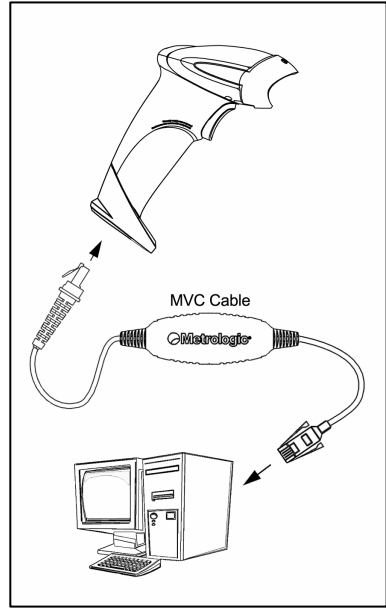


Figure 6.



USB is the default communication protocol for an MS9590-106. If the *recall defaults* bar code is scanned after the unit has been configured for RS485, the scanner will revert to the USB default communication protocol. The bar code above will need to be rescanned to return the unit to the RS485 communication protocol.



The scanner is shipped from the factory configured to set of default conditions. Plugging the scanner into a port on the host system does not guarantee that the scanned information will be communicated properly to the host device. The scanner and host device *must* use the same communication protocol. Please refer to the MetroSelect Single-Line Configuration Guide or the help files provided with MetroSet2 for instructions on changing the scanner's factory default configuration.



See caution on page 6.

* The type of host connection available on an MVC cable is application dependent. Contact a customer service representative at 1-800-ID-METRO for additional information on the MVC converter cable series.

SCANNER INSTALLATION

Keyboard Wedge (-47)

1. Turn off the host device.
2. Plug the 10-pin RJ45 end of the cable into the 10-pin socket on the MS9590. There will be an audible *click* when the connector lock engages.
3. Disconnect the host device's keyboard.
4. Connect the "Y" ends of the cable to the keyboard and keyboard port on the host device. If necessary, use the male/female adapter cable supplied with the scanner to make the proper connections.

If the scanner is receiving power from the host system, skip to step #7.

5. Plug the power supply into the power jack on the PowerLink cable.



Check the AC in input requirements of the power supply to verify the voltage matches the AC outlet. The outlet must be located near the equipment and be easily accessible.

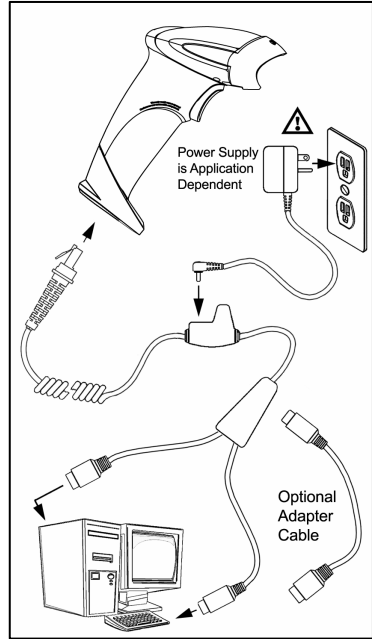


Figure 7.

6. Connect AC power to the transformer.
7. Turn on the host device.



The scanner is shipped from the factory configured to set of default conditions. Plugging the scanner into a port on the host system does not guarantee that the scanned information will be communicated properly to the host device. The scanner and host device *must* use the same communication protocol. Please refer to the MetroSelect Single-Line Configuration Guide or the help files provided with MetroSet2 for instructions on changing the scanner's factory default configuration.

Powering the MS9590-47 directly from the host device may cause interference with the operation of the scanner or the host device. Not all host devices supply the same current through the keyboard port. Contact a Metrologic, customer service representative for information on available external power supplies.



See caution on page 6.


SCANNER INSTALLATION

Stand-Alone Keyboard (-47)

1. Turn off the host system.
2. Plug the 10-pin RJ45 end of the cable into the 10-pin socket on the MS9590. There will be an audible *click* when the connector lock engages.
3. Plug the other end of the cable into the host's keyboard port

If the scanner is receiving power from the host system, skip to step #6.

4. Plug the power supply into the power jack on the PowerLink cable.

 Check the AC input requirements of the power supply to verify the voltage matches the AC outlet. The outlet must be located near the equipment and be easily accessible.

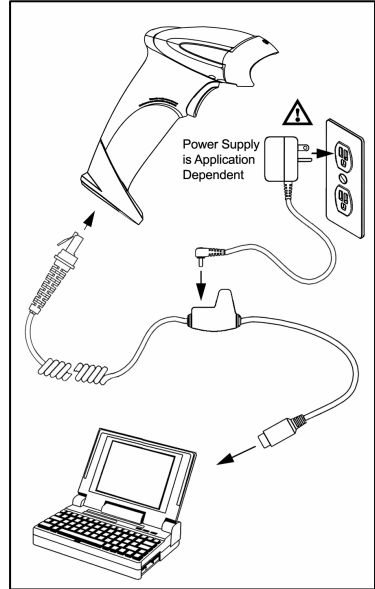




Figure 8.

5. Connect AC power to the transformer.
6. Turn on the host device.

 The scanner is shipped from the factory configured to set of default conditions. Plugging the scanner into a port on the host system does not guarantee that the scanned information will be communicated properly to the host device. The scanner and host device *must* use the same communication protocol. Please refer to the MetroSelect Single-Line Configuration Guide or the help files provided with MetroSet2 for instructions on changing the scanner's factory default configuration.

Powering the MS9590-47 directly from the host device may cause interference with the operation of the scanner or the host device. Not all host devices supply the same current through the keyboard port. Contact a Metrologic, customer service representative for information on available external power supplies.

 See caution on page 6.

SCANNER INSTALLATION

USB (-38 and -106)♦

1. Turn off the host system.
2. Plug the 10-pin RJ45 end of the USB cable into the 10-pin socket on the MS9590. There will be an audible *click* when the connector lock engages.
3. Plug the USB Type A end of the cable into the host's USB port.
4. Turn on the host device.

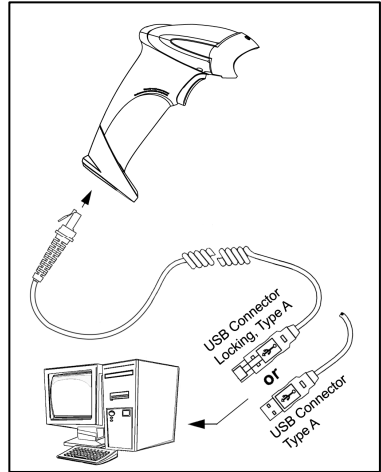


Figure 9.



USB is the default communication protocol for the MS9590-106. Both the MS9590-38 and the MS9590-106 have *USB Keyboard Emulation Mode* enabled by default when shipped from the factory.

Both the MS9590-38 and the MS9590-106 are configurable for *Bi-Directional Serial Emulation mode*. IBM OEM support is only available with the MS9590-106.

Refer to the USB section in the MetroSelect Single-Line Configuration Guide (MLPN 00-02544) for USB configuration bar codes.



The scanner is shipped from the factory configured to set of default conditions. Plugging the scanner into a port on the host system does not guarantee that the scanned information will be communicated properly to the host device. The scanner and host device *must* use the same communication protocol. Please refer to the MetroSelect Single-Line Configuration Guide or the help files provided with MetroSet2 for instructions on changing the scanner's factory default configuration.



See caution on page 6.

- ♦ The MS9590-38 and the MS9590-106 meet the requirements for Full Speed USB hardware. These interfaces also support all emulation types previously supported by Metrologic in Low Speed USB scanners.

STAND

Flex Stand Components (PN 46-00709)

Item	Item Description	Qty.
A	Cradle Coupler	1
B	Cradle	1
C	Flexible Shaft	1
D	Screw Cap	2
E	Stand Base	1
F	1/4" - 20 x 3/8" Flat Head Phillips Screw, 100° Undercut	2
G	#8 Round Head Wood Screw	2
H	M3 -.5 x 20 mm, Pan Head Phillips Screw	1
J	M3 Flat Washer	1
K	M3 Split Lock Washer	1
L	Flexible Shaft Cover	1

Figure 10. Stand Components

STAND

Flex Stand Assembly (PN 46-00709)

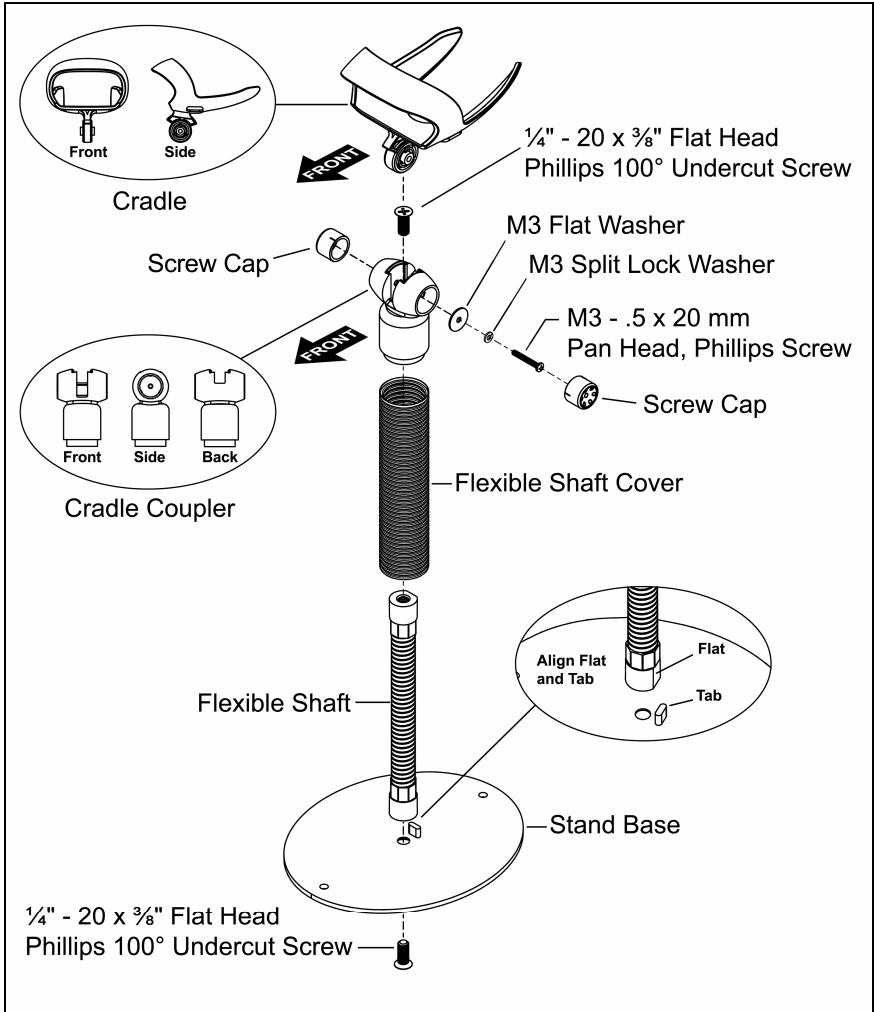


Figure 11. Stand Assembly

STAND

Optional Flex Stand Fixed Mount (PN 46-00709)

1. In the kit, two #8 wood screws have been provided for fixed mount applications.
2. When choosing the stand location, make sure to consider the front orientation of the stand (indicated in *Figure 12*).
3. On a centerline, drill two #39 pilot holes in the countertop spaced 125 mm (4.92") apart. The stand base can be used as a guide for the spacing of the pilot holes.
4. Secure the stand base to the countertop with the two #8 wood screws provided.

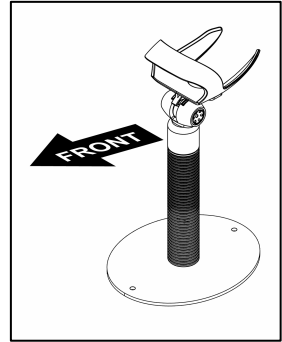


Figure 12.

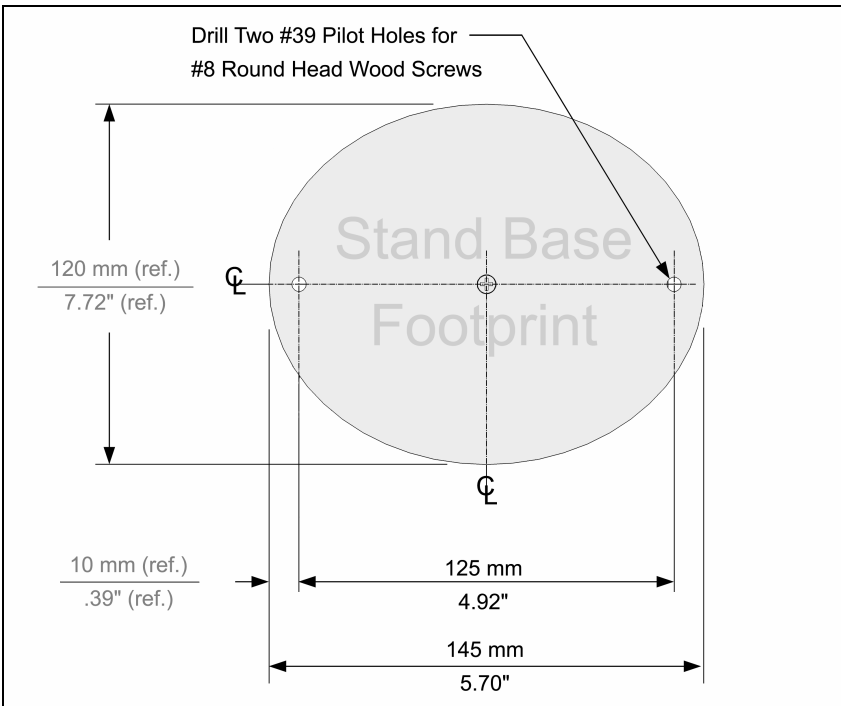


Figure 13. Stand Base Hole Pattern (Not to Scale)

SCANNER OPERATION

Default Modes of Operation

There are two default modes of operation available with the MS9590.

1. In-Stand, Automatic Activation Mode
 - The laser is activated upon object detection in the IR activation area.
 - Bar code data is automatically decoded and transmitted.
2. Out-of-Stand, Manual Activation Mode
 - The trigger (CodeGate) activates the laser.
 - Bar code data is scanned and transmitted while the trigger is held down.

Scanning with the Manual Activation Mode

1. Aim the scanner at the bar code.
2. Pull and hold down the trigger to turn on the laser, scan, and transmit the bar code.
3. The scanner will beep and flash the white LED once to indicate a successful scan and transmission.

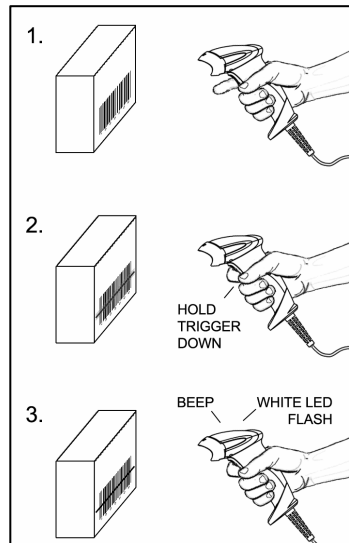


Figure 14.

Maintenance

Smudges and dirt can interfere with the proper scanning of a bar code. The output window should be routinely cleaned with glass cleaner sprayed onto a lint free, non-abrasive cloth.

Audible

During operation, the MS9590 provides audible feedback that indicates the status of the scanner and latest scan. Eight settings are available for the tone of the beep (normal, 6 alternate tones and no tone). To change the beeper tone, refer to the MetroSelect Single-Line Configuration Guide or MetroSet2's help files.

One Beep

When the scanner *first* receives power, the blue LED will turn on, the white LED will flash, and the scanner will beep once. The scanner is ready to scan.

When the scanner successfully reads a bar code, the white LED will flash and the scanner will beep once.

Three Beeps

During Operation

When entering the configuration mode, the white LED will flash while the scanner simultaneously beeps three times.

When exiting the configuration mode, the scanner will beep three times and the white LED will stop blinking.

Three beeps can also indicate a communication timeout during normal scanning mode if the scanner is configured to give this indication.

During Start-up

This is a failure indicator. Refer to "Failure Modes" on page 18.

Three Beeps

When using the single-code-configuration method, the scanner will sound a 3-combination tone (a single beep then a short pause followed by, a high tone, and a low tone). This beep sequence signals that the single configuration bar code has successfully configured the scanner.

Razzberry Tone

This tone indicates a type of failure. Refer to "Failure Modes" on page 18.

When in configuration mode, a short razzberry tone will sound if an invalid bar code is scanned.

INDICATORS

Visual

The MS9590 has three LED indicators (blue, white, and yellow) located on the head of the scanner. When the scanner is in operation, the flashing, or stationary activity of the LEDs indicates the status of the scanner and the current scan.

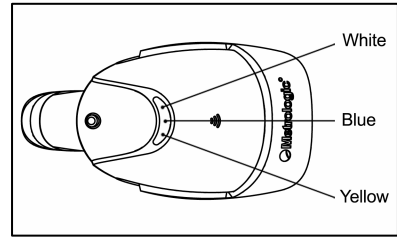


Figure 15. LED Configuration

All LEDs are Off

The LEDs will not be illuminated if the scanner is not receiving power from the host or transformer.

The scanner is in idle mode and CodeGate is enabled.

Steady Yellow

Indicates CodeGate mode is disabled.

Steady Blue

When the laser is active, the blue LED is illuminated. The blue LED will remain illuminated until the laser is deactivated (*default mode only*).

Steady Blue and Single White Flash

When the scanner successfully reads a bar code, the white LED will flash and the scanner will beep once.



After a successful scan, the scanner transmits the data to the host device. Some communication modes require that the host inform the scanner when data is ready to be received. If the host is not ready to accept the information, the scanner's white LED will remain on until the data can be transmitted.

Alternating Flashing of Blue and White

During Operation

This indicates the scanner is in configuration mode.

Failure Modes

One Razzberry Tone – On Power Up 🎵

This indicates the scanner has experienced a flipper/motor failure. Return the scanner for repair to an authorized service center.

Three Beeps – On Power Up 🎵🎵🎵

If the scanner beeps 3 times on power up, verify the host and scanner are set to the same communication protocol.

If the host and the scanner's communication protocol match, then, the non-volatile memory (NovRAM) that holds the scanner's configuration may have failed. Try to reconfigure the scanner. If the scanner does not respond after reconfiguring, return the scanner for repair to an authorized service center.

CONFIGURATION MODES

The MS9590 has three modes of configuration.

- **Bar Codes**

The MS9590 can be configured by scanning the bar codes located in the MetroSelect® Single-Line Configuration Guide (MLPN 00-02544). This manual can be downloaded FREE at www.metrologic.com.

- **MetroSet® 2**

This user-friendly Windows-based configuration software allows you to simply 'point-and-click' at the desired scanner options. This software can be downloaded FREE at www.metrologic.com or set-up disks can be ordered by calling 1-800-ID-METRO.

- **Serial Configuration**

This mode of configuration is ideal for OEM applications. This mode gives the end-user the ability to send a series of commands using the serial port of the host system. The commands are equivalent to the numerical values of the bar codes located in the MetroSelect Single-Line Configuration Guide (MLPN 00-02544).

UPGRADING THE FLASH ROM FIRMWARE

The MS9590 VoyagerCG is part of Metrologic's line of scanners with flash upgradeable firmware. The upgrade process requires a new firmware file supplied to the customer by a customer service representative♦ and Metrologic's MetroSet2 software♦♦. A personal computer running Windows 95 or greater with an available RS232 serial or USB port is also required to complete the upgrade.



PowerLink Cable #54-54014 is required when using RS232 for the upgrade process. This cable can be ordered from Metrologic at 1-800-ID-METRO. **Do not** use the standard cable supplied with keyboard wedge or RS485 scanner interface kits. If using USB for the upgrade process, the standard USB Type A cable provided with the scanner can be used.

To upgrade the firmware in the MS9590:

1. Plug the scanner into a serial communication port on the host system.
2. Start the MetroSet2 software.
3. Click on the plus sign (+) next to *POS Scanners* to expand the supported scanner list.
4. Choose the MS9590 VoyagerGS from the list.
5. Click on the Configure *VoyagerGS/9590 Scanner* button.
6. Choose *Flash Utility* from the options list located on the left side of the screen.
7. Click on the *Open File* button in the Flash Utility window.
8. Locate and open the flash upgrade file supplied by Metrologic.
9. Select the COM port that the scanner is connected to on the host system.
10. Verify the settings listed in the Flash Utility window.
11. Click on the *Flash Scanner* button to begin the flash upgrade.
12. A message will appear on the screen when the upgrade is complete.

- ♦ Metrologic's customer service department can be reached at 1-800-ID-METRO or 1-800-436-3876.
- ♦♦ MetroSet2 is available for download, at no additional cost, from <http://www.metrologic.com/corporate/download>.

DEPTH OF FIELD

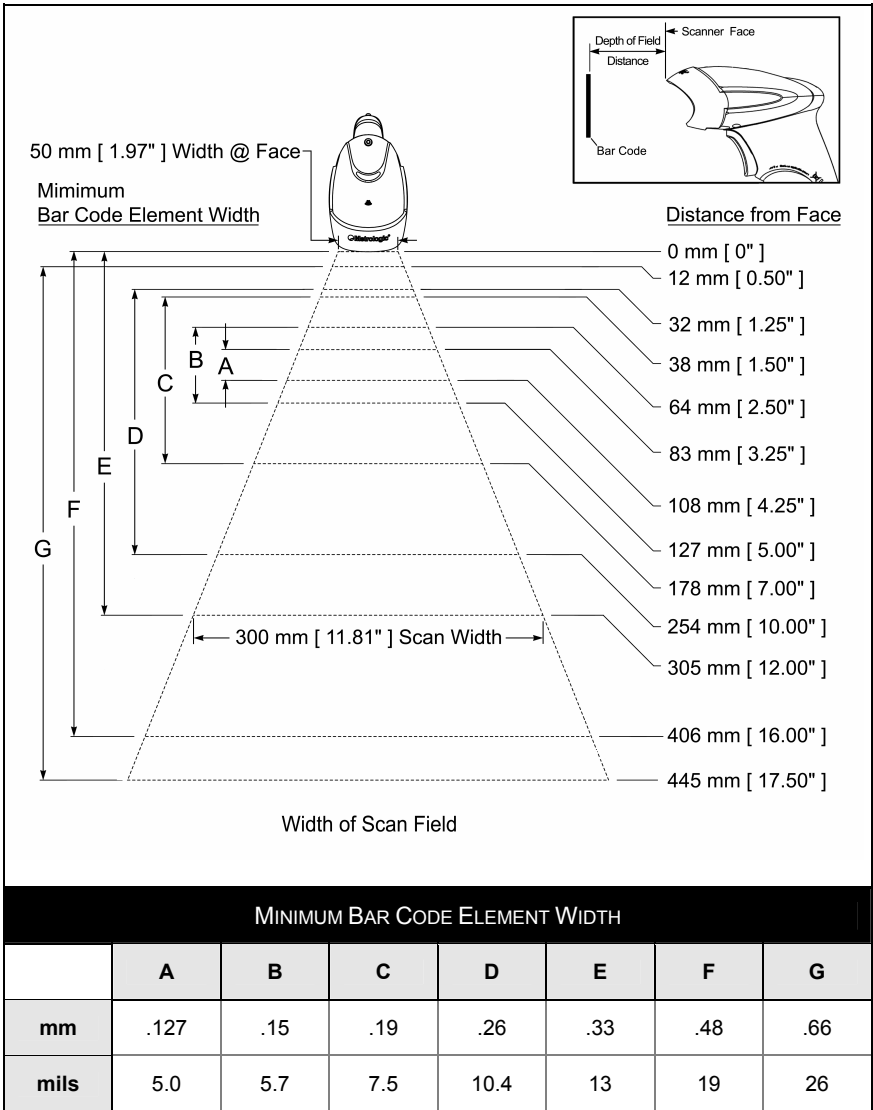


Figure 16. Depth of Field vs. Bar Code Element Width

Specifications are subject to change without notice.

IR ACTIVATION RANGE

The MS9590 has an optional built in object detection sensor that instantly turns on the scanner's laser when an object is presented within the scanner's IR activation area. Refer to the MetroSelect Single-Line Configuration Guide for information on configurable IR activation range options.

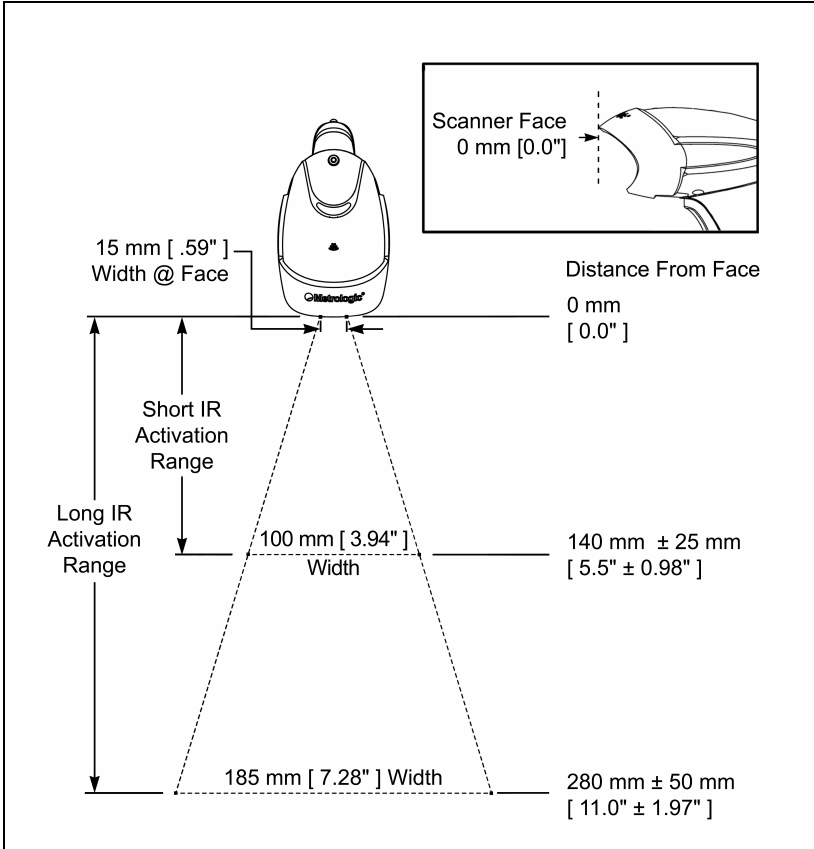


Figure 17. Short and Long IR Activation Areas

Specifications are subject to change without notice.

APPLICATIONS AND PROTOCOLS

The model number on each scanner includes the scanner number and the default communication protocol for the scanner.

Scanner	Version Identifier	Communication Protocol(s)
MS9590	14	RS232 - TXD, RXD, RTS, CTS, DTR, DSR
	38	USB (Bi-Directional Serial Emulation Mode or Keyboard Emulation Mode), and RS232 Transmit/Receive
	47	Keyboard Wedge, Stand-Alone Keyboard and RS232 Transmit/Receive
	106	RS485, USB (Bi-Directional Serial Emulation Mode, Keyboard Emulation Mode or IBM OEM) and RS232 Transmit/Receive

The MS9590 Keyboard Wedge Series (-47) is designed for keyboard emulation only. Many RS232 configurable functions available in other Metrologic scanners are also available as keyboard wedge functions.

The following items are the most important selectable options specific to the keyboard wedge interface:

Keyboard Type

- **AT (includes IBM® PS2 models 50, 55, 60, 80)
- IBM PS2 (includes models 30, 70, 8556)

Keyboard Country Type

- **USA
- Belgian
- French
- German
- Hungarian
- Italian
- Japanese
- Russian Cyrillic
- Slovenian
- Spanish
- Swiss
- Swedish/Finnish
- Turkish
- United Kingdom

** Indicates a default setting. Refer to the MetroSelect Single-Line Configuration Guide (MLPN 00-02544) or MetroSet2's help files for information on how to change the default settings.

TROUBLESHOOTING GUIDE

The following guide is for reference purposes only. Contact a Metrologic representative at 1-800-ID-Metro or 1-800-436-3876 to preserve the limited warranty terms.

Symptoms	Possible Causes	Solution
<i>All Interfaces</i>		
The unit has no LEDs, beep, or laser.	No power is being supplied to the unit.	Check the transformer, the outlet and power strip. Make sure the cable is plugged into the unit.
	No power is being supplied to the unit from host.	Some host systems cannot supply enough current to power Voyager. A power supply may be needed.
At power up, the unit beeps 3 times.	The host and scanner are not set to the same communication protocol.	Set the host and scanner to the same communication protocol.
	There is a non-volatile RAM failure.	Contact a Metrologic service representative.
At power up, the unit emits a razz tone and the blue LED flashes.	The unit has experienced a VLD failure.	Contact a Metrologic service representative.
At power up, the unit emits a razz tone and both LEDs flash.	The unit has experienced a flipper/motor failure.	
The unit scans, communicates, and beeps twice.	The same symbol timeout is set too short.	Adjust the same symbol timeout for a longer time.
The unit powers up, but does not beep.	The beeper may be disabled or no tone has been selected.	Enable beeper and select a tone.
The unit powers up, but does not scan and/or beep.	The unit is trying to scan a particular symbology that is not enabled.	UPC/EAN, Code 39, interleaved 2 of 5, Code 93, Code 128 and Codabar are enabled by default. Verify that the type of bar code being read has been selected.

TROUBLESHOOTING GUIDE

Symptoms	Possible Causes	Solution
The unit powers up, but does not scan and/or beep.	The bar code being scanned does not satisfy the configured criteria for character length lock or minimum length.	Verify that the bar code being scanned falls into the configured criteria. <i>The scanner defaults to a minimum of 3 character bar code.</i>
The unit scans a bar code, but locks up after the first scan and the white LED stays on.	The unit is configured to support some form of host handshaking but is not receiving the signal.	If the unit is setup to support ACK/NAK, RTS/CTS, XON/XOFF or D/E, verify that the host cable and host are supporting the handshaking properly.
The unit scans, but the data transmitted to the host is incorrect.	The unit's data format does not match the host system's requirements.	Verify that the unit's data format matches that required by the host. Make sure that the unit is connected to the proper host port.
The unit beeps at some bar codes but NOT for others of the same bar code symbology.	The print quality of the bar code is suspect.	Check the print mode. The type of printer could be the problem. Change the print settings.
	The aspect ratio of the bar code is out of tolerance.	i.e. Change to econo mode or high speed.
	The bar code may have been printed incorrectly.	Check if it is a check digit/character/or border problem.
	The unit is not configured correctly for the type of bar code being scanned.	
	The minimum symbol length setting does not work with the bar code.	Check if the correct minimum symbol length is set.
The unit scans the bar code but there is no data.	The unit's configuration is not correct.	Make sure the scanner is configured for the appropriate mode.

TROUBLESHOOTING GUIDE

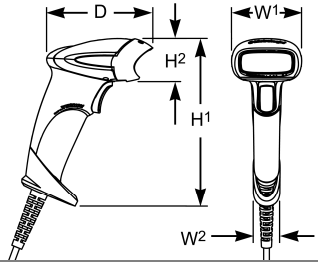
Symptoms	Possible Causes	Solution
The unit scans but the data is not correct.	The unit's configuration is not correct.	Make sure that the proper PC type AT, PS2 or XT is selected. Verify the correct country code and data format is selected. Adjust the inter-character delay symptom.
The unit is transmitting each character twice.	The unit's configuration is not correct.	Increase the interscan code delay setting. Adjust whether the F0 break is transmitted. It may be necessary to try this in both settings.
Alpha characters show as lower case.	The computer is in <i>Caps Lock</i> mode.	Enable the <i>Caps Lock</i> detect feature of the scanner to detect whether the PC is operating in Caps Lock.
Everything works except for a couple of characters.	These characters may not be supported by that country's key look up table.	Try operating the scanner in Alt mode.
The unit powers-up OK and scans OK but does not communicate properly to the host.	The com port at the host is not working or not configured properly.	Check to make sure that the baud rate and parity of the scanner and the communication port match and that the program is looking for "RS232" data.
	The cable is not connected to the proper com port.	Check to make sure that the unit is connected to the correct com port on the host device.
The host is receiving data but the data does not look correct.	The scanner and host may not be configured for the same interface parameters.	Check that the scanner and the host are configured for the same interface parameters.
Characters are being dropped.	Inter-character delay needs to be added to the transmitted output.	Add some inter-character delay to the transmitted output by using the MetroSelect Single-Line Configuration Guide.

DESIGN SPECIFICATIONS

		MS9590 Series Specifications	
OPERATIONAL			
Light Source:	V isible L aser D iode 650 nm ± 10 nm		
Laser Power:	0.809 mW (peak)		
Pulse Duration:	560 µsec		
Depth of Scan Field:	0 mm - 305 mm (0" – 12") with a 0.330 mm (13 mil) bar code		
Width of Scan Field:	50 mm (1.97") @ face	0.330 mm (13 mil) bar code	
	300 mm (11.81") @ 305 mm (12")		
Scan Speed:	100 scan lines per second		
Scan Pattern:	Single Scan Line		
Minimum Bar Width:	0.127 mm (5.0 mil)		
Infrared Activation:	Long Range	0 mm – 279 mm ± 50 mm (0" - 11" ± 1.97")	
	Short Range	0 mm – 140 mm ± 25 mm (0" - 5.5" ± 0.98")	
Decode Capability:	Autodiscriminates all standard 1D bar codes for others call a Metrologic service representative		
System Interfaces:	RS232, Keyboard Wedge, Stand-Alone Keyboard, RS485, USB		
Print Contrast:	35% minimum reflectance difference		
Number Characters Read:	Up to 80 data characters. The maximum number will vary based on symbology & density.		
Beeper Operation:	7 tones or no beep		
Visual Indicators: <i>Default Settings</i>	Blue LED	laser on, ready to scan	
	White LED	good read	
	Yellow LED	ON, CodeGate is Disabled	
		OFF, CodeGate is Enabled	

Specifications are subject to change without notice.

DESIGN SPECIFICATIONS

		MS9590 Series Specifications	
MECHANICAL			
Height H ¹ :	160 mm (6.30")		
H ² :	41 mm (1.60")		
Width W ¹ :	65 mm (2.56")		
W ² :	25.4 mm (1.00")		
Depth:	100 mm (3.93")		
Weight:	150g		
ELECTRICAL			
Input Voltage:	5VDC ± 0.25V		
Power:	Operating = 650 mW typical		
	Standby = 375 mW typical		
Current:	Operating = 130 mA @ 5VDC typical		
	Standby = 75 mA @ 5VDC typical		
DC Transformers:	Class 2; 5.2V @ 1A		
<i>For regulatory compliance information see pages 33 – 35.</i>			
ENVIRONMENTAL			
Temperature:	Operating = 0°C to 40°C (32°F to 104°F)		
	Storage = -40°C to 60°C (-40°F to 140°F)		
Humidity:	5% to 95% relative humidity, non-condensing		
Light Levels:	Up to 4842 Lux (450 footcandles)		
Shock:	Designed to withstand 1.5 m (5 ft.) drops		
Contaminants:	Sealed to resist airborne particulate contaminants		

Specifications are subject to change without notice.

SCANNER AND CABLE TERMINATIONS

Scanner Pinout Connections

The MS9590 scanner interfaces terminate to a 10-pin modular jack. The serial number label indicates the interface enabled when the scanner is shipped from the factory.

MS9590-14 RS232	
Pin	Function
1	Ground
2	Transmit RS232 Output
3	Receive RS232 Input
4	RTS RS232 Output
5	CTS RS232 Input
6	DTR RS232 Input
7	Reserved
8	DSR TTL Output
9	+5VDC
10	Shield Ground

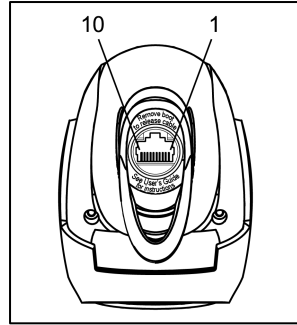


Figure 18.

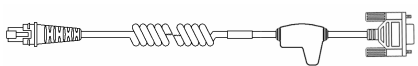
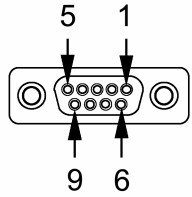
MS9590-47 Keyboard Wedge and Stand-Alone Keyboard	
Pin	Function
1	Ground
2	Transmit RS232 TTL Output
3	Receive RS232 TTL Input
4	PC Data TTL
5	PC Clock TTL
6	KB Clock TTL
7	Reserved
8	KB Data TTL
9	PC +5VDC
10	Shield Ground


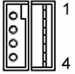
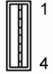
MS9590-38, USB	
Pin	Function
1	Ground
2	Transmit RS232 TTL Output
3	Receive RS232 TTL Input
4	Reserved
5	Reserved
6	D+
7	PC +5V Detect Input
8	D-
9	PC +5V Power
10	Shield Ground



MS9590-106 RS485, USB	
Pin	Function
1	Ground
2	Transmit RS232 TTL Output
3	Receive RS232 TTL Input
4	IBM +
5	IBM -
6	D+
7	PC +5V Detect Input
8	D-
9	PC +5V Power
10	Shield Ground

SCANNER AND CABLE TERMINATIONS

Cable Connector Configurations (Host End)




RS232 PowerLink Cable 53-53000x-3		
Pin	Function	 <p>9-Pin Female, D-Type</p>
1	Shield Ground	
2	RS232 Transmit Output	
3	RS232 Receive Input	
4	DTR Input/Light Pen Source	
5	Signal Ground	
6	Light Pen Data (DSR Out for -14 interfaces)	
7	CTS Input	
8	RTS Output	
9	+5VDC	

USB Cables 53-53813x-N-3, 53-53809x-N-3			
Pin	Function	 <p>Locking Type A</p>	 <p>Non-Locking Type A</p>
1	PC +5V/V_USB		
2	D-		
3	D+		
4	Ground		
Shield	Shield		

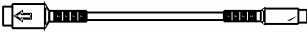
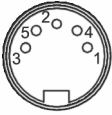

Stand-Alone Keyboard Cable 53-53820x-N-3		
Pin	Function	 <p>6-Pin Male Mini-DIN Connector</p>
1	PC Data	
2	No Connect	
3	Power Ground	
4	+5VDC PC Power to KB	
5	PC Clock	
6	No Connect	

SCANNER AND CABLE TERMINATIONS

Cable Connector Configuration (Host End)

Keyboard Wedge Cable 53-53802x-3		
Pin	Function	 5-Pin DIN, Female
1	Keyboard Clock	
2	Keyboard Data	
3	No Connect	
4	Power Ground	
5	+5 Volts DC	 6-Pin DIN, Male
Pin	Function	
1	PC Data	
2	No Connect	
3	Power Ground	
4	+5 Volts DC	
5	PC Clock	
6	No Connect	

Metrologic will supply an adapter cable with a 5-pin DIN male connector on one end and a 6-pin mini DIN female connector on the other. According to the termination required, connect the appropriate end of the adapter cable to the PowerLink cable, leaving the necessary termination exposed for connecting to the keyboard and the keyboard port on the PC.

Keyboard Wedge Adapter Cable		
Pin	Function	 5-Pin DIN, Male
1	PC Clock	
2	PC Data	
3	No Connect	
4	Power Ground	
5	+5 Volts DC	 6-pin Mini DIN, Female
Pin	Function	
1	Keyboard Data	
2	No Connect	
3	Power Ground	
4	+5 Volts DC	
5	Keyboard Clock	
6	No Connect	

LIMITED WARRANTY

The MS9590 VoyagerGS™ series scanners are manufactured by Metrologic at its Blackwood, New Jersey, U.S.A. facility and at its Suzhou, China facility. The MS9590 series scanners have a five (5) year limited warranty from the date of manufacture. Metrologic warrants and represents that all MS9590 series scanners are free of all defects in material, workmanship and design, and have been produced and labeled in compliance with all applicable U.S. Federal, state and local laws, regulations and ordinances pertaining to their production and labeling.

This warranty is limited to repair, replacement of product or refund of product price at the sole discretion of Metrologic. Faulty equipment must be returned to one of the following Metrologic repair facilities: Blackwood, New Jersey, USA; Madrid, Spain; or Suzhou, China. To do this, contact the appropriate Metrologic Customer Service/Repair Department to obtain a Returned Material Authorization (RMA) number.

In the event that it is determined the equipment failure is covered under this warranty, Metrologic shall, at its sole option, repair the Product or replace the Product with a functionally equivalent unit and return such repaired or replaced Product without charge for service or return freight, whether distributor, dealer/reseller, or retail consumer, or refund an amount equal to the original purchase price.

This limited warranty does not extend to any Product which, in the sole judgment of Metrologic, has been subjected to abuse, misuse, neglect, improper installation, or accident, nor any damage due to use or misuse produced from integration of the Product into any mechanical, electrical or computer system. The warranty is void if the case of Product is opened by anyone other than Metrologic's repair department or authorized repair centers.

THIS LIMITED WARRANTY, EXCEPT AS TO TITLE, IS IN LIEU OF ALL OTHER WARRANTIES OR GUARANTEES, EITHER EXPRESS OR IMPLIED, AND SPECIFICALLY EXCLUDES, WITHOUT LIMITATION, WARRANTIES OF MERCHANTABILITY AND FITNESS FOR A PARTICULAR PURPOSE UNDER THE UNIFORM COMMERCIAL CODE, OR ARISING OUT OF CUSTOM OR CONDUCT. THE RIGHTS AND REMEDIES PROVIDED HEREIN ARE EXCLUSIVE AND IN LIEU OF ANY OTHER RIGHTS OR REMEDIES. IN NO EVENT SHALL METROLOGIC BE LIABLE FOR ANY INDIRECT OR CONSEQUENTIAL DAMAGES, INCIDENTAL DAMAGES, DAMAGES TO PERSON OR PROPERTY, OR EFFECT ON BUSINESS OR PROPERTY, OR OTHER DAMAGES OR EXPENSES DUE DIRECTLY OR INDIRECTLY TO THE PRODUCT, EXCEPT AS STATED IN THIS WARRANTY. IN NO EVENT SHALL ANY LIABILITY OF METROLOGIC EXCEED THE ACTUAL AMOUNT PAID TO METROLOGIC FOR THE PRODUCT. METROLOGIC RESERVES THE RIGHT TO MAKE ANY CHANGES TO THE PRODUCT DESCRIBED HEREIN.

CORPORATE HEADQUARTERS, NORTH AMERICA

Metrologic Instruments, Inc.

90 Coles Rd.
Blackwood, NJ 08012-4683
Customer Service Department
Tel: 1-800-ID-METRO
Fax: 856-228-6673
Email: info@metrologic.com

METROLOGIC EUROPEAN REPAIR CENTER (MERC)

Metrologic Eria Ibérica, SL

C/Alfonso Gomez, 38-40, 1D
28037 Madrid
Tel: +34 913 751 249
Fax: +34 913 270 437

MTLG AUTO ID INSTRUMENTS (SHANGHAI) Co., LTD

Suzhou Sales Office

BLK A, Room# 03/03-04
No.5 Xinghan Street, Xinsu Industrial Square
China-Singapore Suahou Industrial Park, Suzhou, PRC
Tel: 86-512-67622550
Fax: 86-512-67622560
Email: info@cn.metrologic.com

Safety

ITE Equipment

IEC 60950-1, EN 60950-1

Laser

Laser Class 1: IEC 60825-1:1993+A1+A2,
EN 60825-1:1994+A1+A2



Caution

Use of controls or adjustments or performance of procedures other than those specified herein may result in hazardous laser light exposure. Under no circumstances should the customer attempt to service the laser scanner. Never attempt to look at the laser beam, even if the scanner appears to be nonfunctional. Never open the scanner in an attempt to look into the device. Doing so could result in hazardous laser light exposure. The use of optical instruments with the laser equipment will increase eye hazard.

Atención

La modificación de los procedimientos, o la utilización de controles o ajustes distintos de los especificados aquí, pueden provocar una luz de láser peligrosa. Bajo ninguna circunstancia el usuario deberá realizar el mantenimiento del láser del escáner. Ni intentar mirar al haz del láser incluso cuando este no esté operativo. Tampoco deberá abrir el escáner para examinar el aparato. El hacerlo puede conllevar una exposición peligrosa a la luz de láser. El uso de instrumentos ópticos con el equipo láser puede incrementar el riesgo para la vista.

Attention

L'emploi de commandes, réglages ou procédés autres que ceux décrits ici peut entraîner de graves irradiations. Le client ne doit en aucun cas essayer d'entretenir lui-même le scanner ou le laser. Ne regardez jamais directement le rayon laser, même si vous croyez que le scanner est inactif. N'ouvrez jamais le scanner pour regarder dans l'appareil. Ce faisant, vous vous exposez à une rayonnement laser qu'est hazardous. L'emploi d'appareils optiques avec cet équipement laser augmente le risque d'endommagement de la vision.

Achtung

Die Verwendung anderer als der hier beschriebenen Steuerungen, Einstellungen oder Verfahren kann eine gefährliche Laserstrahlung hervorrufen. Der Kunde sollte unter keinen Umständen versuchen, den Laser-Scanner selbst zu warten. Sehen Sie niemals in den Laserstrahl, selbst wenn Sie glauben, daß der Scanner nicht aktiv ist. Öffnen Sie niemals den Scanner, um in das Gerät hineinzusehen. Wenn Sie dies tun, können Sie sich einer gefährlichen Laserstrahlung aussetzen. Der Einsatz optischer Geräte mit dieser Laserausrüstung erhöht das Risiko einer Sehschädigung.

Attenzione

L'utilizzo di sistemi di controllo, di regolazioni o di procedimenti diversi da quelli descritti nel presente Manuale può provocare delle esposizioni a raggi laser rischiose. Il cliente non deve assolutamente tentare di riparare egli stesso lo scanner laser. Non guardate mai il raggio laser, anche se credete che lo scanner non sia attivo. Non aprite mai lo scanner per guardare dentro l'apparecchio. Facendolo potete esporvi ad una esposizione laser rischiosa. L'uso di apparecchi ottici, equipaggiati con raggi laser, aumenta il rischio di danni alla vista.

EMC

Emissions

FCC Part 15, ICES-003, CISPR 22, EN 55022

Immunity

CISPR 24, EN 55024

Changes or modifications not expressly approved by the party responsible for compliance could void the user's authority to operate the equipment.

Class A Devices

The following is applicable when the scanner cable is greater in length than 3 meters (9.8 feet) when fully extended:

Les instructions ci-dessous s'appliquent aux câbles de scanner dépassant 3 mètres (9.8 pieds) de long en extension maximale:

Folgendes trifft zu, wenn das Scannerkabel länger als 3 Meter ist:

This equipment has been tested and found to comply with limits for a Class A digital device, pursuant to part 15 of the FCC Rules. These limits are designed to provide reasonable protection against harmful interference when the equipment is operated in a commercial environment. This equipment generates, uses and can radiate radio frequency energy and, if not installed and used in accordance with the instruction manual, may cause harmful interference to radio communications. Operation of this equipment in a residential area is likely to cause harmful interference, in which case the user will be required to correct the interference at their own expense. Any unauthorized changes or modifications to this equipment could void the user's authority to operate this device.

This device complies with part 15 of the FCC Rules. Operation is subject to the following two conditions: (1) This device may not cause harmful interference, and (2) this device must accept any interference received, including interference that may cause undesired operation.

Notice

This Class A digital apparatus complies with Canadian ICES-003.

Remarque

Cet appareil numérique de classe A est conforme à la norme canadienne NMB-003.

European Standard

Warning

This is a class A product. In a domestic environment this product may cause radio interference in which case the user may be required to take adequate measures.

Funkstöreigenschaften nach EN55022:1998

Warnung!

Dies ist eine Einrichtung der Klasse A. Diese Einrichtung kann im Wohnbereich Funkstörungen verursachen. In diesem Fall kann vom Betreiber verlangt werden, angemessene Massnahmen durchzuführen.

Standard Europeo

Attenzione

Questo e' un prodotto di classe A. Se usato in vicinanza di residenze private potrebbe causare interferenze radio che potrebbero richiedere all'utilizzatore opportune misure.

Attention

Ce produit est de classe "A". Dans un environnement domestique, ce produit peut être la cause d'interférences radio. Dans ce cas l'utiliseteur peut être amené à prendre les mesures adéquates.

EMC

Changes or modifications not expressly approved by the party responsible for compliance could void the user's authority to operate the equipment.

Class B Devices

The following is applicable when the scanner cable is less than 3 meters (9.8 feet) in length when fully extended:

Les instructions ci-dessous s'appliquent aux câbles de scanner ne dépassant pas 3 mètres (9.8 pieds) de long en extension maximale:

Folgendes trifft zu, wenn das Scannerkabel kürzer als 3 Meter ist:

This device complies with Part 15 of the FCC Rules. Operation is subject to the following two conditions: (1) This device may not cause harmful interference, and (2) this device must accept any interference received, including interference that may cause undesired operation.

This equipment has been tested and found to comply with the limits for a Class B digital device, pursuant to Part 15 of the FCC rules. These limits are designed to provide reasonable protection against harmful interference in a residential installation. This equipment generates, uses and can radiate radio frequency energy and, if not installed and used in accordance with the instructions, may cause harmful interference to radio communications. However, there is no guarantee that interference will not occur in a particular installation. If this equipment does cause harmful interference to radio or television reception, which can be determined by turning the equipment off and on, the user is encouraged to try to correct the interference by one or more of the following measures:

- Reorient or relocate the receiving antenna
- Increase the separation between the equipment and receiver
- Connect the equipment into an outlet on a circuit different from that to which the receiver is connected
- Consult the dealer or an experienced radio/TV technician for help

Notice

This Class B digital apparatus complies with Canadian ICES-003.

Remarque

Cet appareil numérique de classe B est conforme à la norme canadienne NMB-003.

PATENTS

This METROLOGIC product may be covered by, but not limited to, one or more of the following US Patents:

US Patent No. 4,958,984; 5,081,342; 5,260,553; 5,340,971; 5,340,973;
5,424,525; 5,468,951; 5,484,992; 5,525,789; 5,528,024; 5,591,953; 5,616,908;
5,627,359; 5,661,292; 5,777,315; 5,789,730; 5,789,731; 5,811,780; 5,825,012;
5,828,048; 5,883,375; 5,886,337; 5,895,907; 5,925,870; 5,925,871; 5,939,698;
6,029,894; 6,189,793; 6,209,789; 6,227,450; 6,283,375; 6,347,743; 6,412,700;
6,499,664; 6,575,369; 6,607,133; 6,619,549; 6,637,655; 6,637,659; 6,863,217;
6,874,689; 6,905,071; 6,975,456; 6,976,632; 7,007,849; 7,017,813; 7,044,383;
7,124,950; 7,156,310; D408,532

No license right or sublicense is granted, either expressly or by implication, estoppel, or otherwise, under any METROLOGIC or third party intellectual property rights (whether or not such third party rights are licensed to METROLOGIC), including any third party patent listed above, except for an implied license only for the normal intended use of the specific equipment, circuits, and devices represented by or contained in the METROLOGIC products that are physically transferred to the user, and only to the extent of METROLOGIC's license rights and subject to any conditions, covenants and restrictions therein.

Other worldwide patents pending.

INDEX

A

AC *see power*
accessories 2, 3
adapter 3

B

Beep *see indicators*
blue LED *see indicator*

C

cable 2–3, 24–26
 adapter 3
 communication ... 1, 2–3, 5, 7–11,
 20, 26, 29–31
 installation 5
 MVC 3, 8
 pin assignments 29–31
caution 6, 33
 labels 6
 laser 6, 33
CE *see caution*
CodeGate 1, 15, 17
communication 24–26
compliance 33–35
configuration 19, 23
converter 3
current 24, 28
customer service 32

D

default 23
depth of field 21

E

EMC 34, 35
EMI 34
emissions 34

F

failure indicator *see indicator*

I

immunity 34
indicator
 audible 16, 20, 27
 failure 18, 16–18, 24–26
 visual 4, 17, 20, 24–26, 27
interface 27, 29–31
 Keyboard Wedge 1, 9, 20, 23, 29,
 31
 RS232 1, 7, 23, 26, 29, 30
 RS485 1, 8, 20, 23, 29, 30
 Stand-Alone Keyboard . 1, 10, 20,
 29, 30
 USB 1, 11, 20, 23, 29, 30
IR range 22

K

Keyboard Wedge *see interface*

L

labels 6
laser 27, 33–35, 33
LED *see indicator*
light level 28

M

maintenance 15
manual 2

O

output window 4

P

pin assignments *see cable*
power 2, 7–11, 20, 24, 28
PowerLink *see cable*
protocols *see interface*

R

regulatory compliance 33–35

INDEX

repair 32
RMA 32
RS232 *see interface*
RS485 *see interface*

S

safety 33
SELV *see caution*
serial number 6
specifications 27, 28
stand 2, 12–15

T

termination 29–31
tones 17
troubleshooting 24–26

U

UL *see caution*
USB *see interface*

V

ventilation 28
voltage 2, 28, *see caution*

W

warranty 32
white LED *see indicator*
window 4, 15

Y

yellow LED *see indicators*

WORLDWIDE HEADQUARTERS

Metrologic Instruments, Inc.

90 Coles Rd. Blackwood, NJ 08012-4683 • Email: info@metrologic.com

Customer Service Tel: 1-800-ID-METRO • Corporate Tel: 856-228-8100

Fax: 856-228-6673 (Sales) • 856-228-1879 (Marketing) • Fax: 856-228-0653 (Legal/Finance)

USA

Omniplanar

Tel: 856.537.6100

Fax: 856.537.6116

Email: info@omniplanar.com

USA

NOVODisplay

Tel: 856.537.6139

Fax: 856.537.6116

Email: info@NOVODisplay.com

METROLOGIC - THE AMERICAS

USA

Metrologic USA - Headquarters

Tel: 1.856.537.6400

Fax: 1.856.537.6474

Email: info@us.metrologic.com

Mexico

Metrologic Mexico, S.A. DE

C.V.

Tel: 55.5365.6247

Fax: 55.5362.2544

Email:

info@mx.metrologic.com

South America

Metrologic do Brasil Ltda.

Tel: 52.55.11.5182.7273

Fax: 52.55.11.5182.7198

Email: info@sa.metrologic.com

South America

Metrologic South America

Tel: 1.239.642.1958

Fax: 1.239.642.1959

Email: info@sa.metrologic.com

METROLOGIC - EMEA

Central Europe

Metrologic Instruments GmbH

Headquarters

Tel: 49-89-89019-0

Fax: 49-89-89019-200

Email: info@de.metrologic.com

France

Metrologic Eria France SA

Tel: +33 (0) 1 48.63.78.78

Fax: +33 (0) 1 48.63.24.94

Email: info@fr.metrologic.com

METROLOGIC - EMEA

Spain

Metrologic Eria Iberica, SL

Tel: +34 913 272 400

Fax: +34 913 273 829

Email: info@es.metrologic.com

Russia

Metrologic Instruments LLC

Tel: +7 (495) 737 7273

Fax: +7 (495) 737 7271

Email: info@ru.metrologic.com

Italy

Metrologic Instruments Italia

Tel: +39 0 57 6511978 or

+39 051 651 1978

Fax: +39 0 51 6521337

Email: info@it.metrologic.com

Poland

Metrologic Instruments

Poland

Tel: +48 (22) 545 04 30

Fax: +48 (22) 545 04 31

Email: info@pl.metrologic.com

United Kingdom

Metrologic Instruments

UK Limited

Tel: +44 (0) 1256 365900

Fax: +44 (0) 1256 365955

Email: info@uk.metrologic.com

METROLOGIC - APAC

Asia

Metrologic Asia (Pte) Ltd

Headquarters

Tel : (65) 6842-7155

Fax : (65) 6842-7166

Email: info@sg.metrologic.com

China

Suzhou Sales Office

Headquarters

Tel: 86-512-67622550

Fax: 86-512-67622560

Email: info@cn.metrologic.com

METROLOGIC - APAC

Australia

Metrologic Australia

Tel: 61 2 9652 2726

(international)

Tel: 02 9816 6470 (local)

Tel: 1 800 99 88 38 (Australia)

Email:

kmason@au.metrologic.com

China

Beijing Sales Office

Tel/Fax: 86 10 82253472

Email: info@cn.metrologic.com

China

Chengdu Sales Office

Tel/Fax: 86 28 86200109

Email: info@cn.metrologic.com

China

Guangzhou Sales Office

Tel: 86-20-38823476

Fax: 86-20-38823477

Email: info@cn.metrologic.com

India

India Sales Office

Tel: +91 80 41256718

Fax: +91 80 41256719

Email: info@in.metrologic.com

Korea

Korea Sales Office

Tel: 82-2-6205-5379

Fax: 82-2-3444-3980

Email:

Scott.lee@kr.metrologic.com

Japan

Metrologic Japan Co., Ltd.

Tel: 81-3-3839-8511

Fax: 81-3-3839-8519

Email: info@jp.metrologic.com

Thailand

Metrologic Thailand

Tel: +662-610-3787

Fax: +662-610-3601

Email:

tawan.jandang@th.metrologic.com

China

Shanghai

Tel: 86-21-58356616

Fax: 86-21-58358873

Email: info@cn.metrologic.com

November 2007

Printed in the USA



00 - 05150C