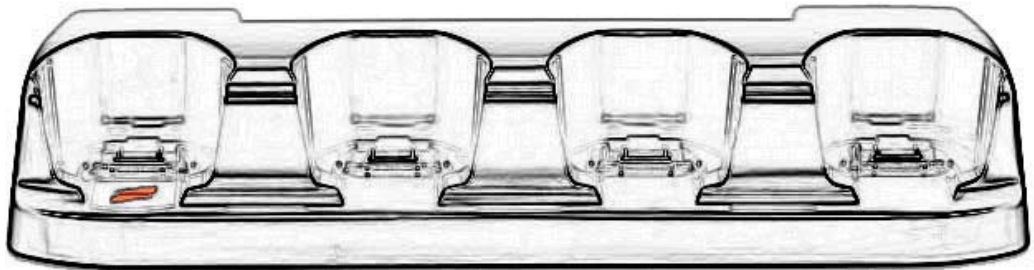




Four-Slot Cradle Kit

Quick Start Guide



Four-Slot Cradle Kit *Quick Start Guide*

Copyright 2008 Janam Technologies LLC. All rights reserved.

Products or services mentioned may be trademarks or registered trademarks of their respective companies.

Janam Technologies LLC assumes no responsibility for any damage or loss resulting from, or in connection with the use or application of any product. Janam Technologies LLC assumes no responsibility for any loss or claims by third parties which may arise through the use of this product. Janam Technologies LLC assumes no responsibility for any damage or loss caused by deletion of data as a result of malfunction, dead battery or repairs. Be sure to make backup copies of all important data on other media to protect against data loss.

Contents of this guide are subject to change. For the most current version, visit www.janam.com

+1.877.JANAM.99
www.janam.com

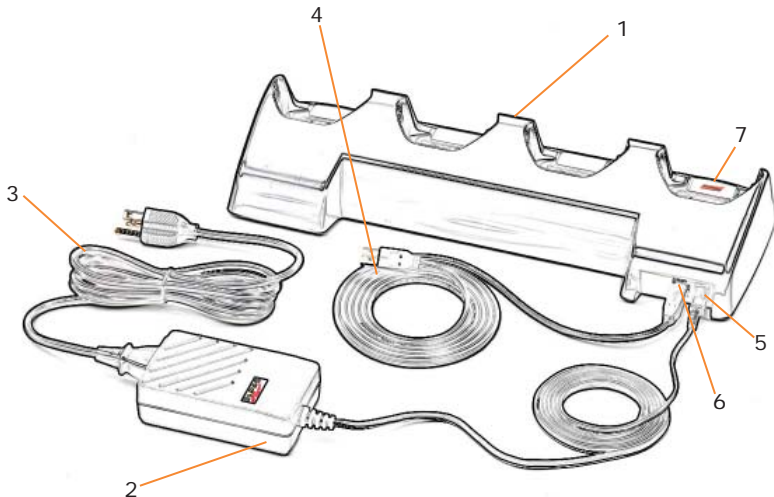
Content and Additional Resources

To help you get started with your Four-Slot Cradle Kit (CK-XP-4), this guide features:

- Hardware Overview
- Getting Started
- Regulatory Information

Four-Slot Cradle Kit Hardware Overview

1. Cradle (CR-XP-4)
2. Power Supply (PS-XP-4)
3. Line Cord (LC-XP-1)
4. USB Cable*
5. Power Receptacle
6. USB Type B Port
7. Synch Button



Note: Four-Slot Cradle Kit (CK-XP-4) includes four-slot cradle, power supply, line cord and USB cable as shown.

* Not separately orderable.

A. SET UP

We recommend you turn your computer off before connecting the cradle. After following the steps below, turn the computer back on.

1. Connect the power supply and line cord.
2. Plug the power supply into the power supply receptacle on the cradle.
3. Connect the USB cable to the cradle.
4. Plug the USB cable into one of your computer's USB ports.
5. Plug the cradle's power supply into a power outlet.

B. INSERTING A DEVICE INTO THE FOUR-SLOT CRADLE

Important: Proper insertion is required to ensure connection. Be sure to insert the device as follows:

1. Place a mobile device in a cradle well (seating the device without trying to join connectors).
2. Tilt-rotate the device forward (bringing top end of unit forward) as you apply downward pressure to fully insert in cradle well, joining connectors.

C. SYNCHING (XP SERIES ONLY)

Using the synch button, you can successively sync up to four XP Series devices with Palm Desktop software. With custom software, you can also synchronize your mobile computers with enterprise data through applications designed by third party vendors.

To automatically sync up to four XP Series mobile computers using the synch button, simply press the synch button on the cradle after inserting the device(s). Sequentially, each mobile computer will power-up and conduct the synch process. Each device will remain powered-up for approximately two minutes after synching, then automatically power-down.

Regulatory Information

For European Community Users

Janam Technologies complies with Directive 2002/69/EC of THE EUROPEAN PARLIAMENT AND OF THE COUNCIL OF 27 January 2003 on waste electrical and electronic equipment (WEEE).

Waste Electrical and Electronic Equipment Information

This product has required the extraction and use of natural resources for its production. It may contain hazardous substances that could impact health and the environment, if not properly disposed.

In order to avoid the dissemination of those substances in our environment and to diminish the pressure on the natural resources, we encourage you to use the appropriate take-back systems for product disposal. Those systems will reuse or recycle most of the materials of the product you are disposing in a sound way.



The crossed out wheeled bin symbol informs you that the product should not be disposed of along with municipal waste and invites you to use the appropriate separate take-back systems for product disposal.

If you need more information on the collection, reuse and recycling systems, please contact your local region waste administration. You may also contact your supplier for more information on the environmental performances of this product.

The four slot cradle, Model CR-XP-4 was evaluated to the following standards and found to be in compliance with the standard requirements.

UL 60950-1:2003	EN 61000-4-3
CSA C22.2 60950-1:2003	EN 61000-4-4
EN 60950-1	EN 61000-4-5
EN 55022:2006 Class B	EN 61000-4-8
EN 55024	IEC 61000-4
EN 61000-3-2:2000 + A2: 2005	IEC 61000-4-4
EN 61000-3-3:1995 + A1: 2001	IEC 61000-4-5
EN 61000-4	IEC 61000-4-11
EN 61000-4-2	IEC-003, Issue 4: 2004 Class B

This product has been tested and found to comply with the limits for a Class B digital device, pursuant to Part 15 of the FCC Rules. These rules are designed to provide reasonable protection against harmful interference in a residential installation. This product generates, uses, and can radiate radio frequency energy, and if not installed and used in accordance with the instructions, may cause harmful interference with radio communications. However, there is no guarantee that interference will not occur in a particular installation. If the equipment does cause harmful interference to radio or television reception, which can be determined by turning the equipment on and off, the user is encouraged to try to correct the interference by one or more of the following measures:

- Reorient or relocate the receiving antenna.
- Increase the separation between the equipment and receiver.
- Connect the equipment to an outlet on a circuit different from that to which the receiver is connected.
- Consult the dealer or an experienced radio/TV technician for help.

Caution: Changes or modifications that are not expressly approved by the manufacturer could void the user's authority to operate the equipment.

www.janam.com

*Technology at Work.*TM