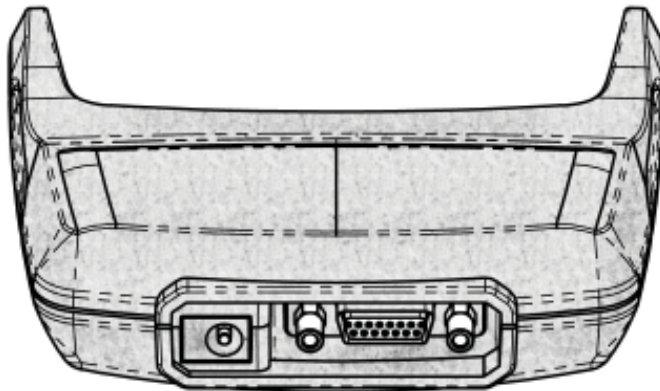


---

**JANAM**

**Cable Cup  
(CC-XP-1)  
Product Guide**



---

1-102207ccxp1

CC-XP-1

---

---

## CC-XP-1 Product Guide

---

Copyright 2007 Janam Technologies LLC. All rights reserved. No part of the publication may be reproduced in any form without permission from Janam Technologies.

Janam and the Janam logo are trademarks of Janam Technologies LLC. Other product and brand names may be trademarks or registered trademarks of their respective owners.

Janam Technologies LLC assumes no responsibility for any damage or loss resulting from the use of this guide. Janam Technologies LLC assumes no responsibility for any loss or claims by third parties which may arise through the use of this product. Janam Technologies LLC assumes no responsibility for any damage or loss caused by deletion of data as a result of malfunction, dead battery or repairs. Be sure to make backup copies of all important data on other media to protect against data loss.

Janam Technologies LLC

+1.877.JANAM.99

[www.janam.com](http://www.janam.com)

---

## Content and Additional Resources

---

Janam's Cable Cup (CC-XP-1) is a compact, easy-to-use, attachable accessory that expands the functionality of Janam's rugged mobile computers by providing the user with a secure method to connect industrial cables for solutions utilizing communication protocols such as DEX, USB and Serial/RS-232.

To help you get started with the CC-XP-1, this guide includes:

- Hardware Overview
- Set Up and Use
- Cable Requirements and Compatible Printers

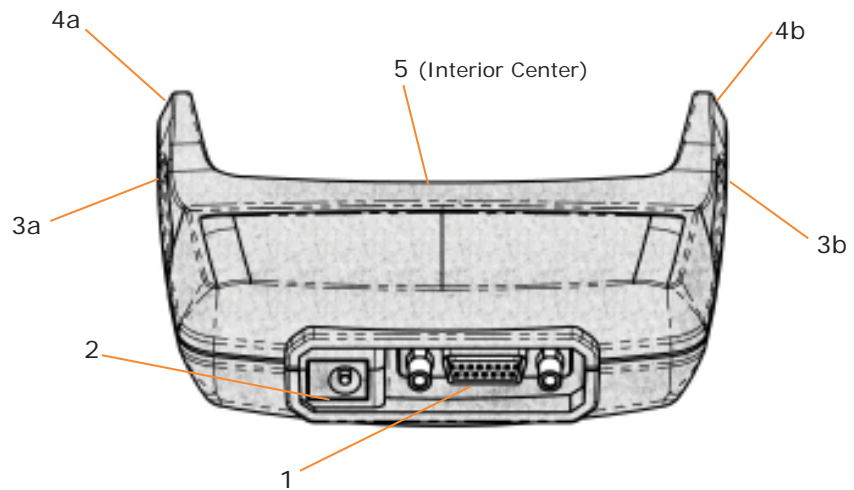
For additional product information, please visit [www.janam.com](http://www.janam.com).

---

## Hardware Overview

---

1. 15-Pin Communications Connector
2. Power Connector  
(for use with AC-XP-1 or VA-XP-1)
- 3a. Left Spring Action Clamp
- 3b. Right Spring Action Clamp
- 4a. Left Bracket Clip
- 4b. Right Bracket Clip
5. Handheld Connector



---

## Set-up

---

### Attaching the CC-XP-1 to a Janam Handheld

- a. Hold the Janam device in one hand, with the device facing you.
- b. With the other hand, hold the CC-XP-1 with the front facing you (the label turned away from you).
- c. Holding the CC-XP-1 at the bottom of the Janam mobile device, align the bracket clips at the top of the CC-XP-1 with the sides of the Janam handheld device.
- d. Slide the handheld and the CC-XP-1 toward each other until they rest against each other.
- e. Once aligned, push firmly together to snap device into place.

### Removing the CC-XP-1 from the Janam Handheld

The CC-XP-1 is secured to the handheld by two spring-action clamps on each side of the accessory.

To remove the CC-XP-1:

- a. Hold the handheld in one hand, the CC-XP-1 in the other.
- b. Firmly press both spring-action clamps in.
- c. While holding both spring-action clamps in, pull the CC-XP-1 away from the handheld.

### Charging the Handheld with the Attached Cable Cup

The CC-XP-1 is powered through the handheld device and no separate power is required for use.

To charge the mobile device with the attached CC-XP-1, you can use either the AC Wall Adapter (AC-XP-1) or the Vehicle Charger (VA-XP-1). The AC-XP-1 and the VA-XP-1 are separately orderable items.

- a. Insert the charger's barrel connector into the power connector on the bottom of the CC-XP-1.
- b. Plug the charger into an appropriate outlet.

---

## Using the Cable Cup (CC-XP-1)

---

The CC-XP-1 was designed to provide connectivity to printers and other mobile peripherals.

» **IMPORTANT NOTES:**

- a. Before using the cable cup attachment, read all instructions and cautionary markings.
- b. Do not use force to place or remove the handheld from the CC-XP-1.
- c. Unfamiliar users may require practice for both attaching and removing the CC-XP-1.
- d. Damage to one or both products might be incurred with improper handling.
- e. The cable cup is not compatible with Janam cradles (CK-XP-1 and CK-XP-4). The connected handheld device can be charged with a compatible charging cable (AC-XP-1 or VA-XP-1), but to synch a handheld device, the cable cup must be removed.

### To Attach Compatible Cables to the Cable Cup

- a. Align the male end of the cable with the 15-pin communications connector at the bottom of the CC-XP-1.
- b. Firmly push connectors together.
- c. For a more secure connection, tighten the faster screws on the peripheral's connector.

---

## Cable Requirements

---

The CC-XP-1 is compatible with all DEX solutions and mobile printers from O'Neil and Zebra. Specific cables are required for each (available separately from Janam). See below for details.

<b>Janam Item</b>	
DEX Compatible Cable	CAB-DX1-1
<b>Compatible Printers</b>	
O'Neil Printers (All Models)	CAB-ON1-1
Zebra QL Series	CAB-ZB1-1
Zebra RW Series	CAB-ZB2-2

---

[www.janam.com](http://www.janam.com)

---