

**Specifications**

Design and specifications are subject to change without notice.

<b>Product</b>	Intermec Z2400 battery charger
<b>Electrical requirements</b>	Input voltage: ~ 12V 1,7A
<b>Application</b>	Intermec lithium-ion battery packs (Part No. 063278, 068537, or 068868)
<b>Maximum voltage</b>	Battery Part No. 063278 or 068868: 8,2V +/- 125mV Battery Part No. 068537: 8,4V +/- 125mV
<b>Operating environment</b>	Temperature: 0°C to 40°C (32°F to 104°F) Humidity: 0 to 95%, non-condensing
<b>Storage environment</b>	Temperature: -20°C to 50°C (-4°F to 122°F) Humidity: 0 to 95%, non-condensing
<b>Dimensions</b>	Approx. 51 x 102 x 178 mm (2 x 4 x 7 in)
<b>Weight</b>	Approx. 394.1g (13.79 oz) (without power supply)

**Ordering Power Cords for the Battery Charger**

The AC power cord is ordered separately. If you need to order an Intermec power cord, contact your Intermec sales representative.

<b>Country</b>	<b>Part Number</b>
North and Central America	586105
Europe	586267
Denmark and Greenland	586283
Italy and Chile	586282
Liechtenstein and Switzerland	586276
United Kingdom	586266
South Pacific	586281
China	071918

**Z2400 4-Pack Battery Charger Instructions**

Use the Trakker Antares® Z2400 battery charger to simultaneously charge up to four battery packs for the Trakker Antares 242X and 243X hand-held terminals or the 502X Data Collection PC™.

This guide describes how to install and use the charger. Before using the charger, please read this guide thoroughly and retain it for future reference. For help managing battery power, see your Trakker Antares 242X terminal, Trakker Antares 243X terminal, or 502X Data Collection PC user’s manual.

**Choosing a Location for the Battery Charger**



**Warning**  
*To prevent fire or electric shock, do not expose the battery charger to rain or moisture.*

**Avertissement**  
*Pour éviter des risques d’incendie ou de choc électrique, ne pas exposer le chargeur de la batterie à la pluie ou à l’humidité.*

Choose an appropriate location for the charger using these guidelines:

- Locate a flat, stable, and clean surface that is within 1.5 m (5 ft) of an electrical source (AC outlet).
- Provide access to the power supply jack on the battery charger and to the battery charger itself so you can easily load and unload batteries.

**Connecting the External Power Supply**

Before you can use the battery charger, you need to connect an autoranging external power supply (Part No. 065236). Plug the external power supply connector into the power supply jack on the battery charger, and then connect the AC power cord to the power supply and to an AC outlet. Both the power supply and the AC power cord are ordered separately.



6001 36th Avenue West  
P.O. Box 4280  
Everett, WA 98203-9280

Part No. 069994-004



\*069994-004\*

© 2001 Intermec  
All Rights Reserved

---

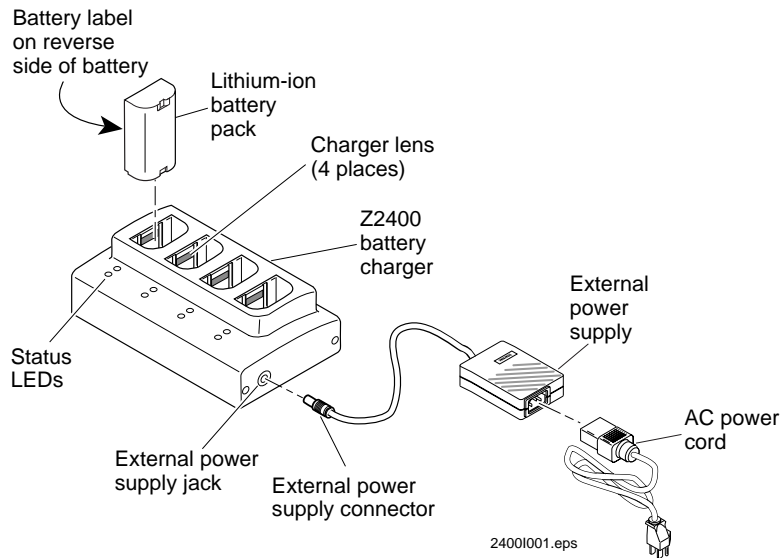
## Charging a Battery Pack

You can charge up to four Intermec-labeled lithium-ion battery packs (Part Nos. 063278, 068537, or 068868 in any combination) simultaneously, using any slot. The charging time depends on the condition of the battery. Usually a battery is fully charged in 3.5 to 4.25 hours.

### Loading and Unloading a Battery Pack Into the Charger

Align the battery pack with a battery slot on the charger (as shown in the illustration) and slide the battery pack down until it fits firmly in the charger.

To unload a battery pack from the charger, simply pull it out of the battery slot. You can unload and use a battery pack before it has been fully charged.



### Interpreting the Status LEDs

Each battery slot has two status LEDs that indicate the status of the battery pack in the slot.

**Yellow** The battery pack is charging.

**Green** The battery pack is fully charged or overheated.

**Off** The battery slot is empty, the charger is not plugged in, or the battery is defective.

**Flashing Yellow** There has been a charge interrupt, a timeout, or the battery is cold.

---

## Important Recommendations

- Use only Intermec-labeled lithium-ion battery packs (Part Nos. 063278, 068537, or 068868) in the battery charger.
- Charge the battery pack immediately before use or within a couple of days of use.
- For maximum battery efficiency, charge the battery at the recommended charging temperature of 25°C (77°F).
- While the charger is in use, it becomes warm. This is normal.
- Keep the battery and charger contacts clean and free of dust and dirt. Remove any accumulated debris using a non-metallic pointed object.
- Clean the contacts on the charger and battery pack with a cotton swab and isopropyl alcohol.
- Clean the battery slot charger lens with a cotton swab and isopropyl alcohol.
- Clean the battery pack label with a cotton swab and isopropyl alcohol.
- Do not let anything metallic come into contact with the battery charger contacts.
- Do not disassemble the charger. There are no user-serviceable parts in the charger.
- Do not place the charger in locations that are extremely hot or cold, dusty or dirty, very humid, or subject to vibration.
- If any part of the charger appears worn or damaged or if any difficulty arises while using the battery charger, unplug the battery charger immediately and contact your Intermec service representative.

---

## Troubleshooting

If the charger does not charge the battery pack or if the LEDs do not light, try the following solutions:

- Make sure that the charger is plugged in to an electrical outlet and that the electrical outlet has power.
- Make sure that the battery charger contacts are clean.
- Make sure that the battery slot charger lens and battery pack labels are clean.