



The CK60/PB42 Quad Battery Charger is suitable for use only with Intermec battery pack part number 805-630-002. Use of any other battery pack may present risk of fire or explosion hazard.

Caution

You must use the appropriate Intermec power supply with this device or equipment damage may occur.

You need to purchase the appropriate power cord for your location. For more information, contact your Intermec sales representative.

- an AC power cord
  - an Intermec 12 VDC power supply p/n: 851-082-003
- To use the CK60/PB42 Quad Battery Pack Charger, you need:

#### What you need

- CK60/PB42 Quad Battery Charger
- CK60/PB42 Quad Battery Charger Start Guide
- Product Warranty Card
- Compliance Statement

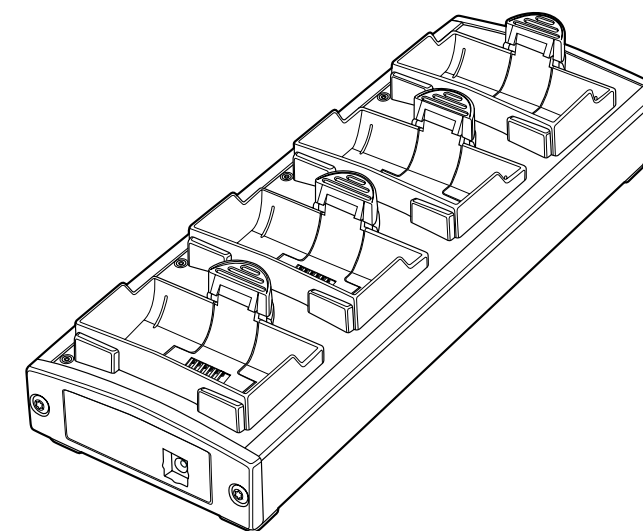
The CK60/PB42 Quad Battery Charger shipping box should contain these items:

The Intermec CK60/PB42 Quad Battery Charger (Model AC4) is an accessory for your CK60 Handheld Computer and PB42 Portable Printer. You can use your Quad Charger to charge up to four battery packs in less than four hours at normal room temperature (21°C/70°F).

## Out of the Box



## Quick Start Guide



## CK60/PB42 Quad Battery Charger



**Worldwide Headquarters**  
6001 36th Avenue West  
Everett, Washington 98203 U.S.A.  
tel 425.348.2600

www.intermec.com

© 2006 Intermec Technologies Corporation. All rights reserved.

CK60/PB42 Quad Battery Pack Charger Quick Start Guide



P/N 962-000-044D

## Power Usage

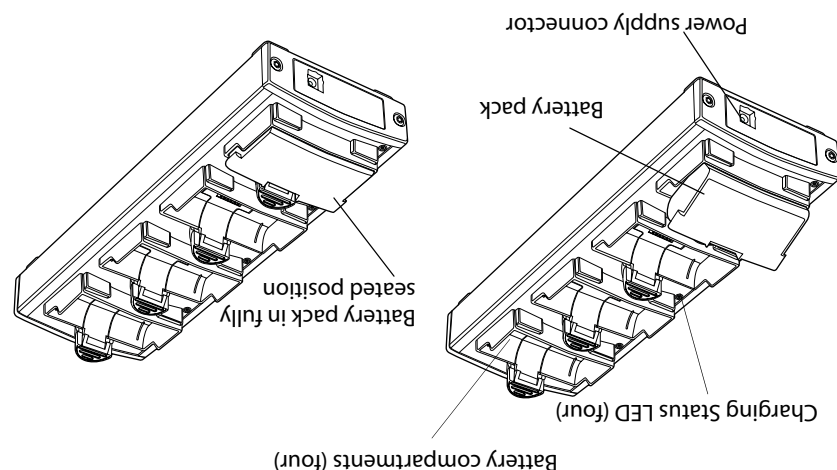
Each charger power supply (p/n: 851-082-003) uses approximately 1 amp of current. You can have 20 battery pack chargers plugged into one 20 amp circuit assuming no other loads are drawing off that circuit breaker.

## Important Battery Handling Recommendations

- Charge the battery immediately before use or within a couple of days of use.
- Do not short circuit the battery and keep it away from metallic items.
- Do not disassemble, open, or modify the battery.
- Do not expose the battery to excessive heat or fire.
- Do not store the battery at temperatures above 60°C (140°F), such as inside a car on a hot day or in direct sunlight, as this may damage the battery.
- Do not immerse the battery in water or get the battery wet.
- Do not solder directly to the battery contacts.
- For maximum battery efficiency, the recommended temperature for charging and storing batteries is 21°C (70°F).
- Keep the battery contacts clean and free of dust and other contaminants.
- Do not recharge batteries in locations that are extremely hot or cold, dusty or dirty, very humid, or subject to vibration.

## Disposing of Batteries

When the battery reaches the end of its useful life, the spent battery should be disposed of by a qualified recycle or hazardous materials handler. If you are unsure of how to properly dispose of this battery, contact your local Intermec sales representative for disposal information.



## CK60/PB42 Battery Charger Features

## Specifications

### Environmental

Operating Temperature:: +5°C to +35°C (+41°F to +95°F)  
Storage temperature: -30°C to 70°C (-22°F to +158°F)  
Relative Humidity: 5% to 95%

### Radiated and Conducted Digital Emissions

FCC Part 15 Class A  
Industry Canada ICES-003 Class A  
EN 55022: 1998/CISPR 22 Class A  
China CCC Emissions requirements