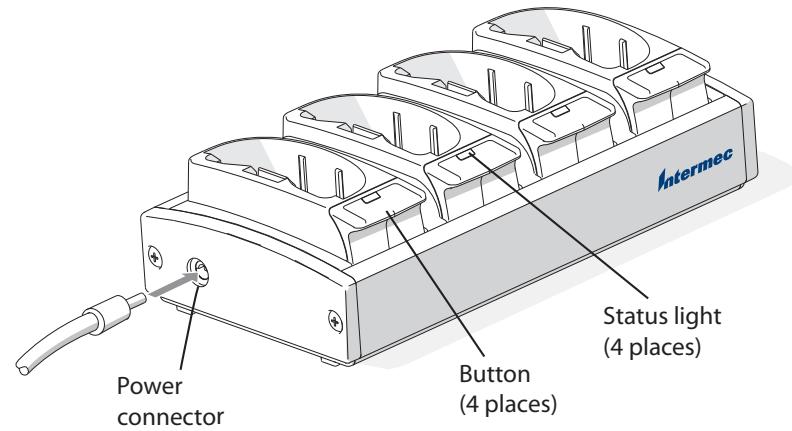


Installing the AC1

- 1 Place the battery charger on a flat, stable, and clean surface that is within 1.5 m (5 ft) of an AC power outlet.
- 2 Connect the AC power supply to the power connector on the battery charger and to an AC power outlet. The Status light in each button turns on, showing that the battery charger is ready to use.



To prevent fire or electric shock, do not expose the AC1 to rain or moisture.

Warning

Where to Find More Information

You may need additional information when working with the AC1 and CK30 or CK31 in a data collection system. Please visit our web site at www.intermec.com to download our current manuals in PDF format. To order printed versions of the Intermec manuals, contact your local Intermec representative or distributor.

Electrical rating: ⎓ 12V, 4A
Requires Intermec AC power supply (Model AE19)
~100 to 240 VAC, 50 to 60 Hz

Patent Information

Product is covered by one or more of the following patents: 5,052,943; 5,195,183; 5,317,691; 5,331,580; 5,544,010; 5,644,471. There may be other U.S. and foreign patents pending.

AC1 4-Slot Battery Charger Instructions



P/N 073530-007

Intermec

Worldwide Headquarters
6001 36th Avenue West
Everett, Washington 98203
U.S.A.

tel 425.348.2600

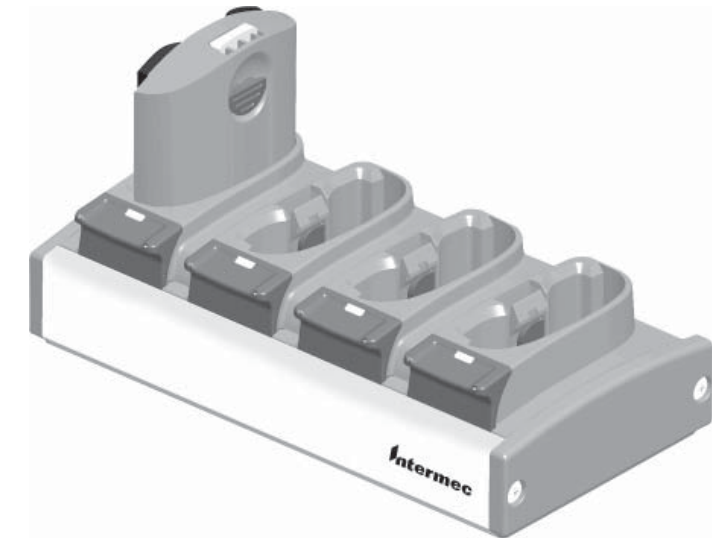
fax 425.355.9551

www.intermec.com

© 2008 Intermec Technologies Corporation. All rights reserved.

Intermec

Instructions



AC1 4-Slot Battery Charger

What Is the AC1?

The AC1 4-Slot Battery Charger is an accessory for the CK30 and CK31 Handheld Computers. You can use the battery charger to charge up to four batteries at the same time.

This guide explains how to install and use the battery charger.

What You Need

To use the charger, you need:

- an AC power supply (Model AE19).
- an AC power cord.

You need to purchase the appropriate power cord for your location. For more information, contact your Intermec sales representative.



Caution

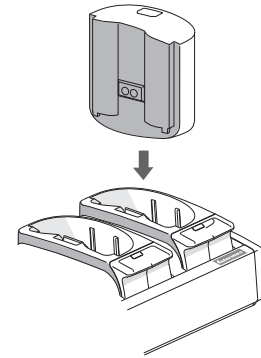
You must use the appropriate Intermec power supply with this device or equipment damage may occur.

Charging Batteries

You can charge up to four batteries at one time in the charger. The charger fully charges the batteries in about 5 hours.

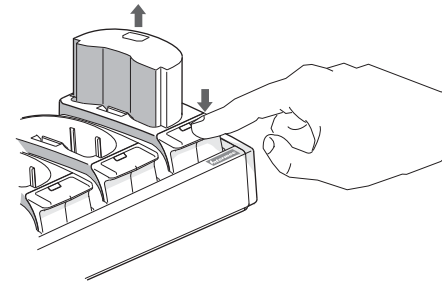
To charge batteries

- 1 With the battery contacts facing the charger, slide the battery into one of the slots.
- 2 Push the battery into the slot to engage the latch. The Status light for that slot changes from yellow to green or red to indicate the battery charge status. See "Understanding the Lights" to learn what the Status light colors mean.



To remove batteries

- Press the button for that slot and slide the battery up and out.



Understanding the Status Lights

This table explains what the different colors of the Status lights mean.

Color	Description
No Color	The battery charger is not receiving power. Make sure the power supply is connected properly to a powered AC outlet.
Steady Yellow	The battery charger is connected to AC power and is ready to charge.
Flashing Green	The battery is charging.
Steady Green	The battery is fully charged.
Flashing Red	The battery is not charging. Try these solutions: <ul style="list-style-type: none"> • Make sure the battery is firmly installed in the charger. • Make sure the power supply is connected properly to a powered AC outlet. • Make sure the charging pins on the AC1 and the battery contacts on the battery are clean.