

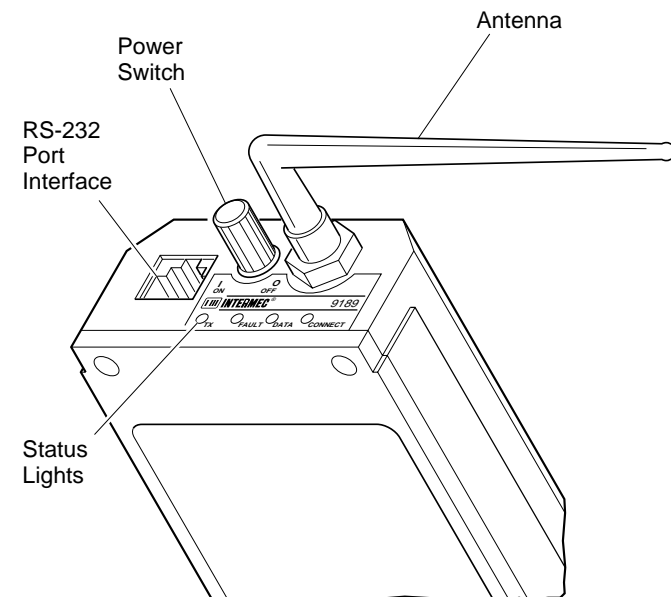
# Quick

REFERENCE CARD

## 9189 RF Gateway

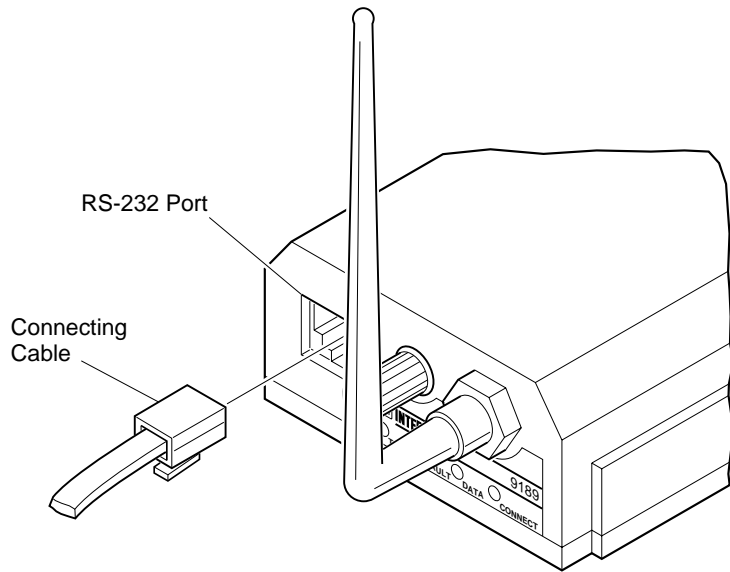
The Intermec 9189 RF Gateway allows a variety of bar code devices to communicate within an RF network. The gateway allows printers, such as the Intermec 4400 Printer, to communicate with the host computer in real time. The gateway will operate with most Intermec products that support either Multi-drop or Polling Mode D protocol. When used in the RF network, these are referred to as *data collection devices* or *end devices*. Compatible end devices include:

- 944X Portable Reader Series
- 951X On-line Reader Series
- 9540 Industrial Bar Code Terminal
- 95XX Industrial Transaction Manager
- 86XX Printer Series
- 3XXX Printer Series
- 4XXX Printer Series



This Quick Reference Card contains basic operating information. For complete installation, operation, and configuration information, refer to the *RF System/9180 User's Manual*, part number 054292-001, or the *RF System/9185 User's Manual*, part number 056543-001.

An end device connects to the gateway's RS-232 port using the appropriate cable. Refer to the controller's user's manual for more information on making connections to the gateway.



## Status Lights

The top of the gateway has four status LEDs which continuously display the status of the unit.

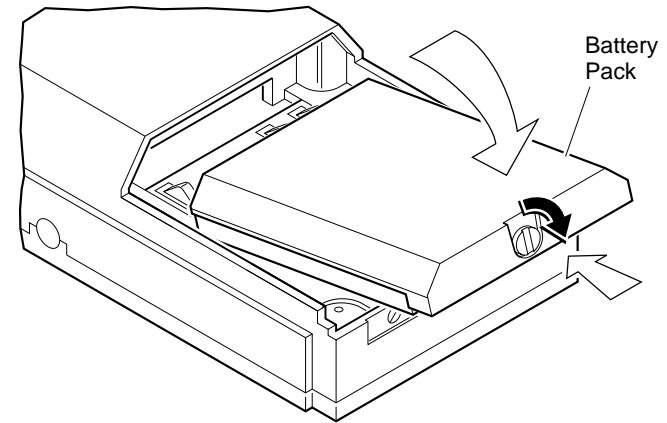
LED	Description
Tx	When on, indicates that data is being transmitted.
Fault	When the gateway is powered up, it is on for five seconds. Blinking once per second, indicates a low NiCad battery. Blinking twice per second, indicates a low lithium battery.
Data	When on, indicates that data is buffered in the gateway. <b>Note:</b> Do not turn the gateway off when the Data LED is on. The buffered data will remain in the gateway and could cause system problems when the unit is turned on at a later time.
Connect	When on, indicates that the gateway has established a communication link with the network controller.

## Power

The gateway can be powered by an internal battery pack or an external power supply. Acceptable supplies and their Intermec part numbers are listed at right.

The battery pack contains NiCad batteries which are recharged when an external supply is connected.

Power Supply	part no.
120 VAC, 50/60 Hz	042684
100 VAC, 50/60 Hz	043230
220 VAC, 50/60 Hz	045652



## CAUTION

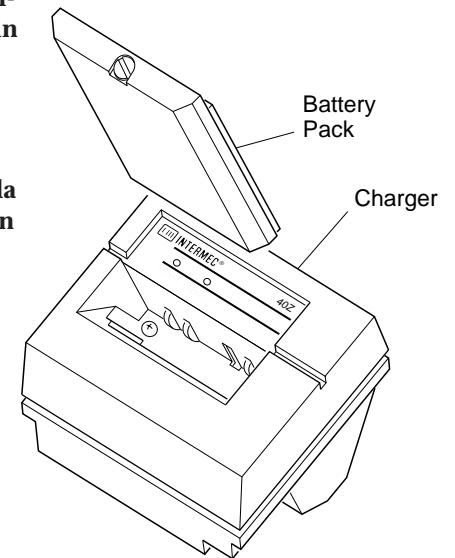
The battery pack must be properly installed in the gateway when using an external power supply. Failure to comply could result in equipment damage.

## CONSEIL

Le jeu de piles doit être correctement installé dans la Gateway lors de l'utilisation d'une source de courant externe, faute de quoi l'équipement risque d'être endommagé.

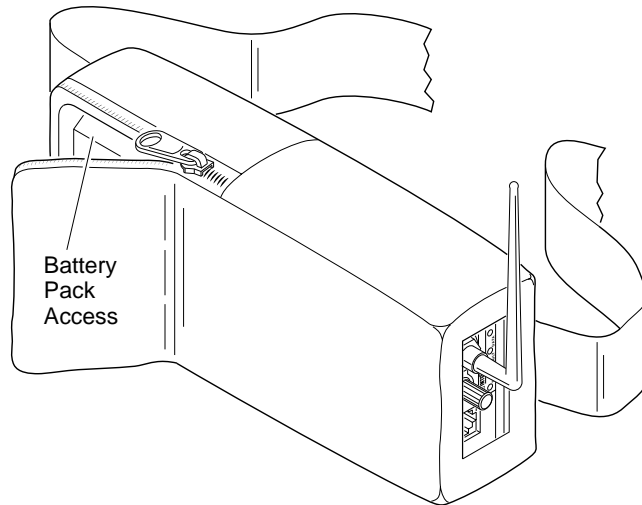
## Battery Recharging

NiCad battery packs can be recharged in an Intermec battery pack charger, part number 048501.



## Carrying Case

When the gateway is used with a portable reader, it must be protected against accidental bumps and drops with its carrying case, Intermec part number 055121. The belt of the case snaps around the waist of the user to provide simplified, out-of-the-way operation. Since the LEDs are not directly visible when the case is worn, the gateway must be configured to relay low battery warnings to the reader. Refer to the *RF System/9180 Controller User's Manual* or the *RF System/9185 Controller User's Manual* for more information.



## Troubleshooting

### Symptom

Fault light blinking once per second.

Fault light blinking once per half-second.

"Connected" LED does not turn on.

### Problem

Low NiCad battery. Recharge battery pack.

Low lithium battery. Return the gateway to Intermec for servicing.

Gateway out of range of RF system.

Gateway configured incorrectly.

RF system not configured to recognize gateway.

**Intermec**  
Technologies Corporation

©1998 Intermec  
All Rights Reserved  
P/N 053979-002