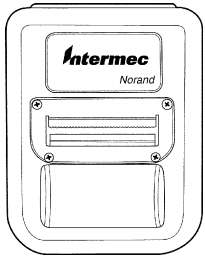


Quick Start Guide

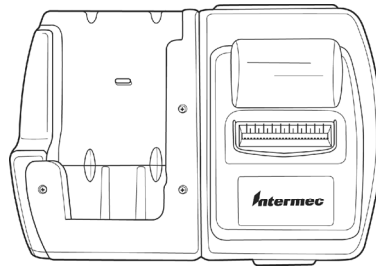
**681/682/781T/782
40-Column
Printers**

Packing List

Check to ensure that you receive these items:

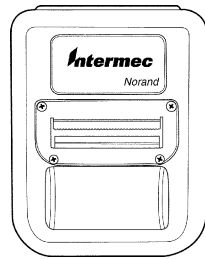


OR

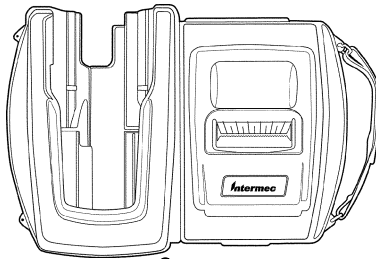


Intermec® 681 Printer
p/n 320-082-00x

Intermec® 682 Printer
p/n 320-083-00x



OR



Intermec® 781T Printer
p/n 320-085-00x

Intermec® 782 Printer
p/n 320-084-00x
with card reader p/n 320-084-003

Compliance Statement Insert

Device Name: HandHeld Computer Model Number: 682B

This responsible party is for the compliance of this device is:

Intermec, Inc. Intermec, Inc. Intermec, Inc.
20000 Highway 25 20000 Highway 25 20000 Highway 25
Cedar Rapids, IA 52402 Cedar Rapids, IA 52402 Cedar Rapids, IA 52402

CAUTION: See warning guide instructions for handling, shipping, and packing batteries. Failure to follow these instructions can result in personal injury. For all battery operations.

USA product compliance for the shipping container: The contents of this product are contained in one container and are packed in accordance with the International Civil Aviation Authority (ICAA) regulations. The use of this container is subject to the International Civil Aviation Authority (ICAA) regulations. The use of this container is subject to the International Civil Aviation Authority (ICAA) regulations. The use of this container is subject to the International Civil Aviation Authority (ICAA) regulations.

DOT Hazardous Materials Compliance: This product is classified as a hazardous material under DOT regulations. The use of this product is subject to the International Civil Aviation Authority (ICAA) regulations. The use of this product is subject to the International Civil Aviation Authority (ICAA) regulations. The use of this product is subject to the International Civil Aviation Authority (ICAA) regulations.

Canada Export Compliance: This product is classified as a hazardous material under Canadian regulations. The use of this product is subject to the International Civil Aviation Authority (ICAA) regulations. The use of this product is subject to the International Civil Aviation Authority (ICAA) regulations. The use of this product is subject to the International Civil Aviation Authority (ICAA) regulations.

USA Federal Government Compliance: This product is classified as a hazardous material under Federal regulations. The use of this product is subject to the International Civil Aviation Authority (ICAA) regulations. The use of this product is subject to the International Civil Aviation Authority (ICAA) regulations. The use of this product is subject to the International Civil Aviation Authority (ICAA) regulations.

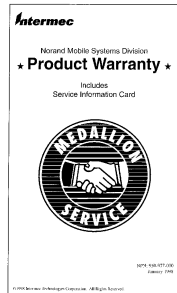
Canada Export Compliance: This product is classified as a hazardous material under Canadian regulations. The use of this product is subject to the International Civil Aviation Authority (ICAA) regulations. The use of this product is subject to the International Civil Aviation Authority (ICAA) regulations. The use of this product is subject to the International Civil Aviation Authority (ICAA) regulations.

Product Warranty: This product is covered by a limited warranty. The use of this product is subject to the International Civil Aviation Authority (ICAA) regulations. The use of this product is subject to the International Civil Aviation Authority (ICAA) regulations. The use of this product is subject to the International Civil Aviation Authority (ICAA) regulations.

Product Warranty: This product is covered by a limited warranty. The use of this product is subject to the International Civil Aviation Authority (ICAA) regulations. The use of this product is subject to the International Civil Aviation Authority (ICAA) regulations. The use of this product is subject to the International Civil Aviation Authority (ICAA) regulations.

Product Warranty: This product is covered by a limited warranty. The use of this product is subject to the International Civil Aviation Authority (ICAA) regulations. The use of this product is subject to the International Civil Aviation Authority (ICAA) regulations. The use of this product is subject to the International Civil Aviation Authority (ICAA) regulations.

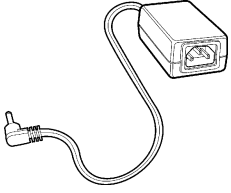
170-100-006 Revision B



Product Warranty Card

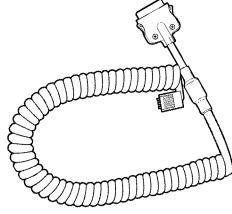
Compliance Statement

Common Accessories Sold Separately



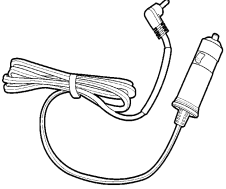
AC Wall Charger

p/n 851-060-002
Order power cord under
separate part number



Mobile Computer to Printer Cable

p/n 226-469-001 (RJ-45 connector
on the printer end)
p/n 321-578-001 (RJ-11 connector
on the printer end)

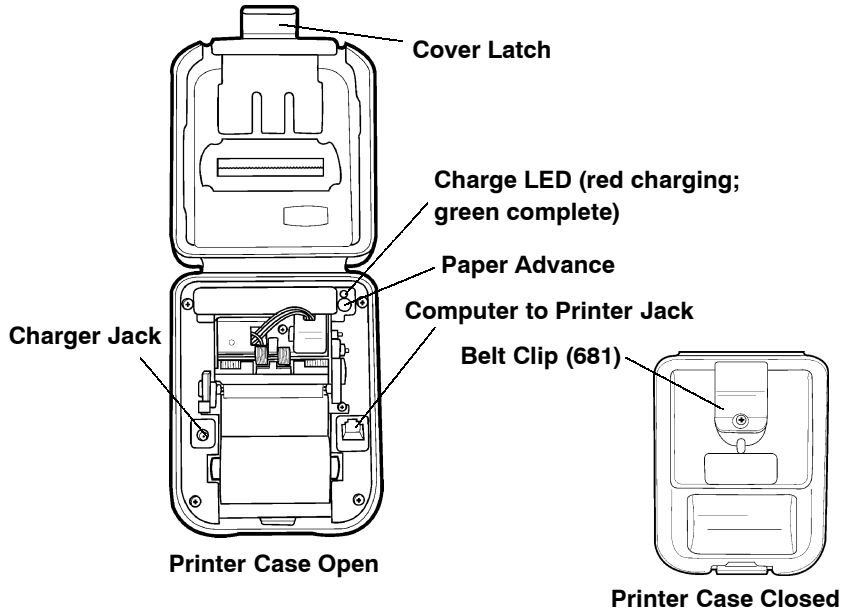


Cigarette Lighter Charger

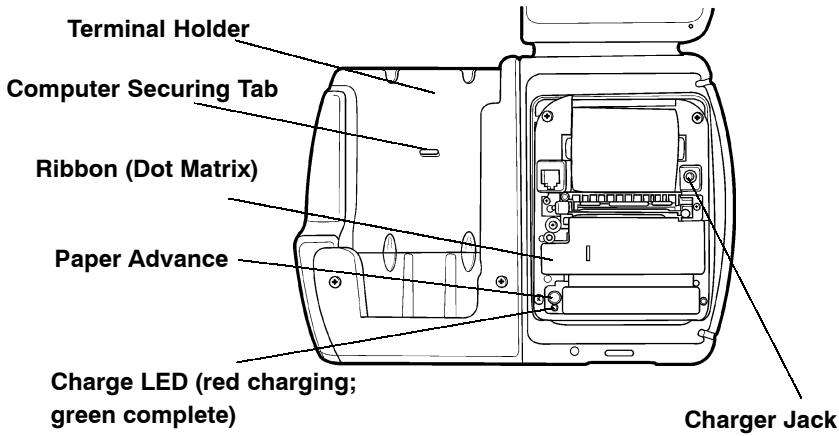
p/n 852-043-001

Getting Started

Here are the main components of the Intermec® 681 and 682 printers.



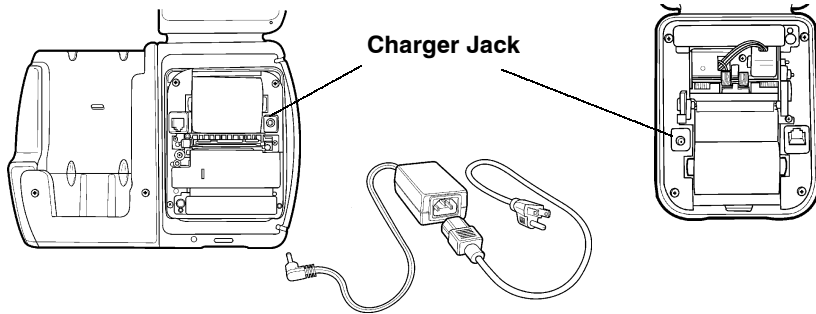
681/781T Printer Components



682/782 Printer Components

Charging the Lithium Ion Batteries

- ▶ The printer battery charges in about 3 hours.
- ▶ You can charge both the Mobile Computer and the Printer battery at the same time using the AC or Cigarette Lighter Charger. The time to charge both batteries is about 8 hours.



Connecting Charger to Printers

LED Battery Indicators

LED	State of Charge	Action
Solid Red	In progress	Waiting for green LED
Green	Complete	Remove charger
Red Flash slow	Low temperature or battery is disconnected	Change environment or connect battery
Red Flash fast	High temperature	Change environment
Red/Orange slow	Low voltage	Wait for solid red
Red/Orange fast	High voltage	Wait for solid red
Orange flash slow	Timeout	Restart charge

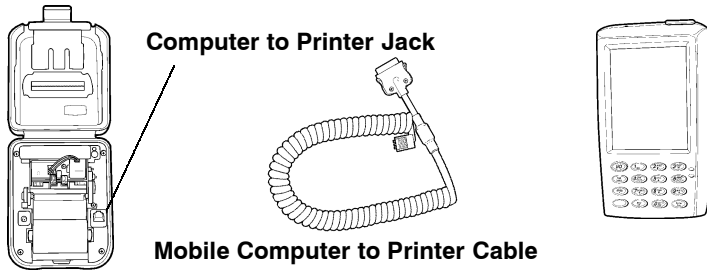
Beep Indicators

Number of Beeps	Indicates
One	A) Printer has come out of sleep mode. B) Using the 781T with wireless printing, the radio when enabled but not put in use for a while beeps every five minutes to let you know it is enabled and also using battery life.
Two	Printer is out of paper.
Three	Battery is low.
One long beep	No program in printer, only boot code.

Using Your Printer

Intermec® 681 or 781T Printer

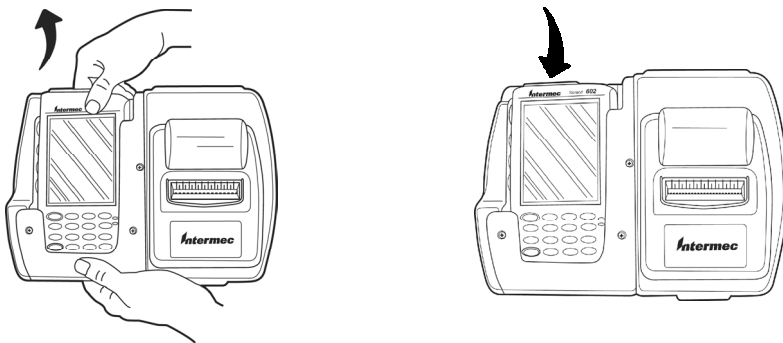
1. Attach the Mobile Computer to Printer cable. RJ-11 cable p/n 321-578-001, RJ-45 cable p/n 226-469-001.
2. As you use the printer the power comes from the battery in the printer. When the printer battery runs down the printer will not operate until the battery is recharged.



Attaching Computer to Printer Cable

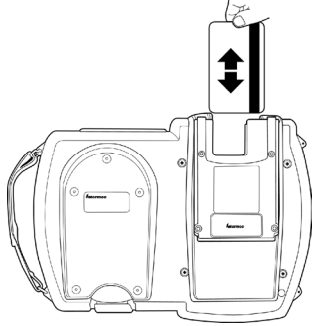
Intermec® 682 or 782 Printer

1. Slide the mobile computer into the computer holder on your printer.
2. To remove computer from the printer, lift the computer up slightly to clear the computer securing tab and pull out.



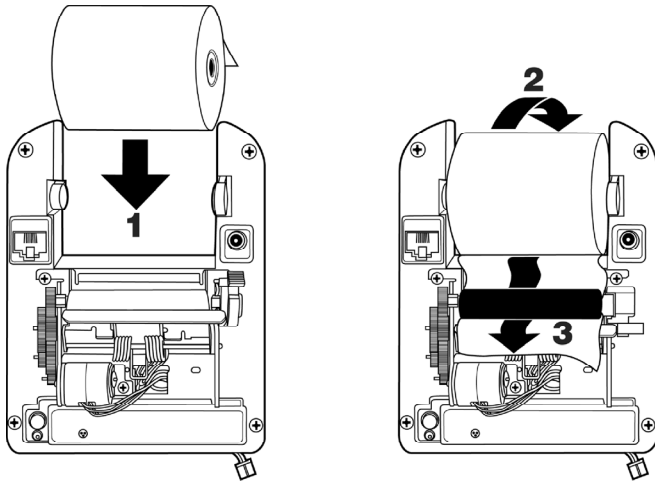
Using the Card Reader

Slide the card down into the reader with the magnetic tape to the right side. The magnetic card must meet the following ISO standards: 7810 (physical characteristics) 7811 (recording techniques) and 7816 (smart card standards)



Using the Card Reader

Paper Changing



Installing new paper roll

781T Printer using Wireless Printing

IrDA/Wireless Mode

Your printer comes to you as an IrDA mode printer. To switch the mode to Wireless Printing it is necessary to toggle the mode via the self-test function of the printer.

Performing the self-test indicates the current mode of the printer. The mode displays on the ticket and an audible indication sounds. Each time the self-test function is performed the mode will toggle between wireless printing and IrDA modes.

781T Preparation

1. Prepare the 781T by holding down the red button for about two seconds until you hear a short beep. This means the printer is ready to go and will be discoverable.

Any time you press and hold the button until it beeps, you will dump any active wireless printing sessions.

2. You are ready to print wireless transactions.

Printer Self-Test

1. Press the Paper Advance (red) button for at least five seconds to run a Self-Test. This means you will be holding it long enough to hear the *beep* and complete a *paper advance*. The self-test indicates the current state of your printer. Verify the current mode by reading the Power status line from the printout. When your printer is turned off, the radio is undiscoverable and unconnectable.
2. When shipping your printer via air freight, turn the wireless printing mode off and set to IRDA so that the radio is not powered

Why Printer Beeps Every 5 Minutes When Unconnected

As part of the implementation of the serial port service, this service refreshes itself every five minutes. That refresh sends a message to the printer, which then wakes up and causes the beep while resynchronizing with the serial port service. The printer then goes back to sleep based on its timeout. The beep can be turned off within the 'printer configuration utility'.

700 Mobile Computer Preparation

1. On your mobile computer, tap the **Bluetooth™** icon located in the System tray on the **Today** screen.
2. Select **Advanced Features>Bluetooth Devices**.
3. From the **Tools** menu, select **Device Discovery**. You are presented with a couple of screens detailing the device discovery process.
4. You are now presented with a screen allowing you to modify the selection parameters. The default should work for your needs.
5. Click **Next** to proceed. A search for Bluetooth devices is performed followed by a look-up of discovered device names. The progress bars indicate the inquiry status.
6. A list of discovered devices displays.

If your remote wireless printer is discovered and presented in the list, select the **appropriate check box** and click **Next**.

If your remote device is not displayed, ensure that the device and its radio are switched ON. Click **Next**, then select **Finish**.

7. A progress bar appears indicating Service Directory is being performed.

If the discovery is successful a screen with *Successful discovery* displays. Click **Finish**. The remote device icon appears in the Bluetooth Devices Folder. Verify that this device was discovered by looking at the properties (**Device>Properties**).

If the Services tab lists *Portable Printer*, the service was discovered correctly.

If it doesn't, select the **Update** button on the *Services* tab to try to rediscover the services available (sometimes it will take a couple tries to correctly discover the services).

8. Click **Next** twice, all Wireless Printing devices within range will be discovered and displayed. You may have to repeat this step from time-to-time.

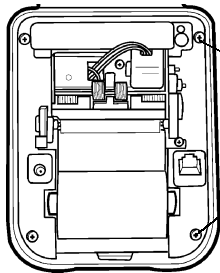
9. The **Bluetooth Serial Port** service is necessary for the virtual COM port to work. Choose COM6 in your application to use the Wireless Printing device you selected. Verify that this service was discovered by looking at the properties for this printer (**Device>Properties**).
10. Verify that your Wireless Printing device is set as your “favorite” device. In the **Bluetooth Devices Folder**, select **Tools>My Favorite**. In the **Favorites** screen, ensure your printer shows as **My Favorite Device**.

*Bluetooth is a trademark of Bluetooth SIG, Inc., U.S.A.

Battery Pack Removal

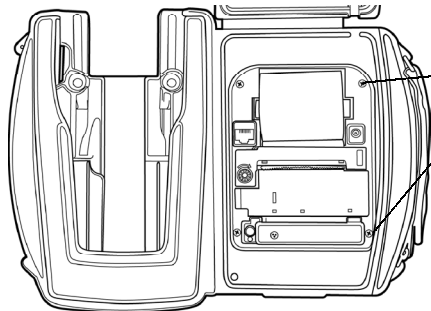
Ensure that you have your ESD wrist strap connected to the ESD static free mat before placing your printer on the mat and begin removing the battery pack.

1. Remove the four screws securing the printer mechanism.



Screws (4)
(two on each side)

681/781 Printers

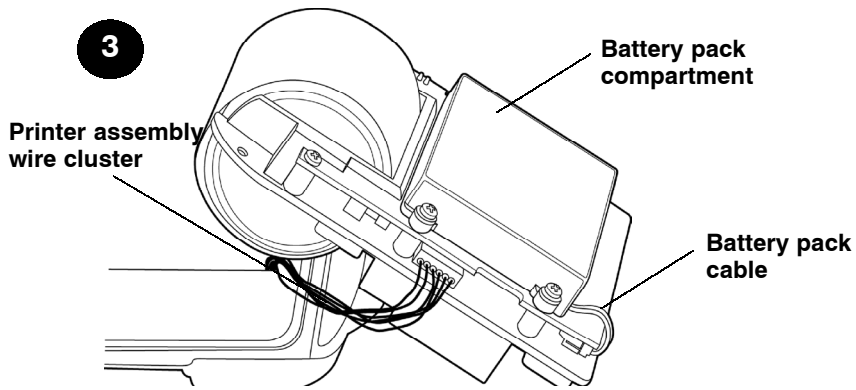


Screws (4)
(two on each side)

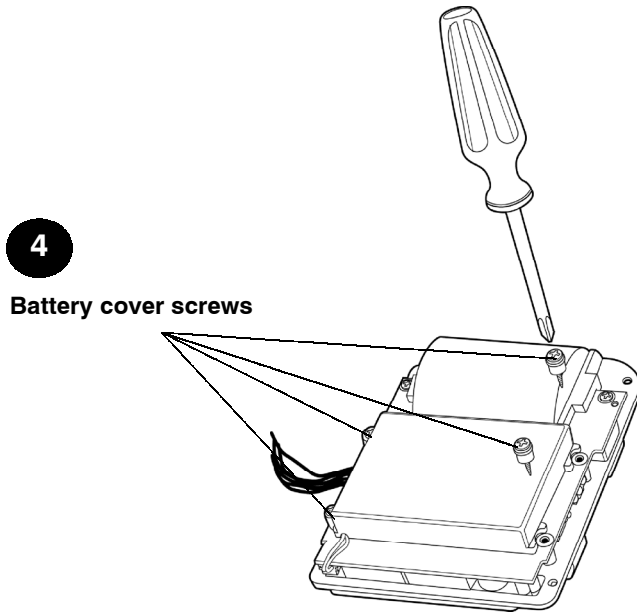
682/782 Printers

2. Lift the printer mechanism out of the case. One way to do this is to turn the printer case on its side and **gently** tap the bottom of the case to remove the board assembly. Be careful not to pull on the cluster of black wires running from the inside of the printer case to the printer mechanism assembly.

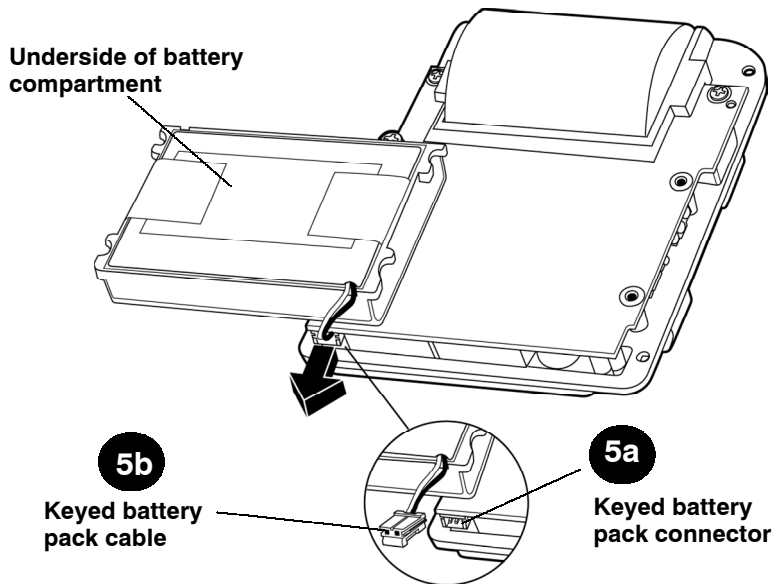
3. Set the printer assembly down to view the underside of printer mechanism and battery compartment.



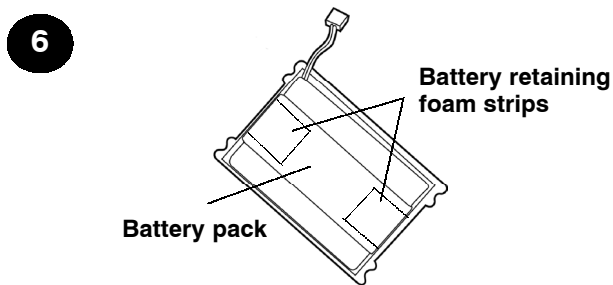
4. Remove the four screws securing the battery cover. Avoid contact with the printer control board unless the board is grounded.



5. Gently disconnect the keyed battery pack connector (with the black and red wires) from the board assembly. You may find that you have to wiggle the connector a bit to remove it from the connector.



6. Once the cover is removed gently tap the cover in your hand or lift up on one of the battery retaining foam strips to separate the battery pack from the cover.



7. Insert the new battery pack into the battery cover.
8. Reinstall the battery cover.
9. Reconnect the keyed battery cable. Routing the battery pack wires is very important.
 - ▶ The wires must not be pinched or crimped when reinserting the printer mechanism into the printer case.
10. Reposition the battery pack assembly on the printer mechanism.
11. Replace the four screws to secure the battery pack cover to the printer mechanism. Install the screws enough so they are fully seated but not any further or you will strip the screw holes in the printer case.
12. Carefully seat the printer in the case, you do not want to pinch the wires between the printer mechanism and the case.
13. Replace the four screws securing the printer mechanism to the printer case.
14. Charge the battery 2-3 hours using your AC adapter or cigarette lighter adapter.
15. Properly dispose of the used battery pack.

General Specifications

Temperatures

Operating: Thermal -20 to +50° C (-4 to 122° F)
781T 0 to +40° C (32 to +104° F)
Dot Matrix 0 to +50° C (32 to 122° F)

Storage: Thermal -30 to +65° C (-22 to +149° F)
Dot Matrix -30 to +65° C (-22 to +149° F)

Wireless Printing Radio Option:

Operating: 0 to +40° C (32 to +104° F)

Continuous Operation off charge: Thermal (over 8 hours) Dot Matrix (over 4 hours)

Charging: 2-3 hours quick charge using AC adapter or cigarette lighter adapter



Corporate Headquarters
6001 36th Avenue West
Everett, Washington 98203
tel 425.348.2600
fax 425.355.9551
www.intermec.com

681/682/781T/782 40-Column Printers Quick Start Guide-November, 2002



962018010 Rev J