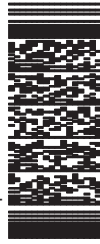


### 3 Scan PDF 417 Bar Codes

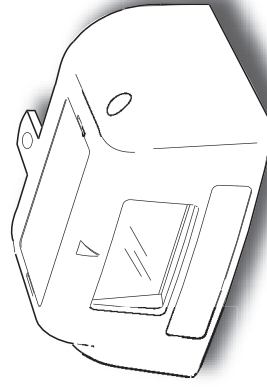
1. Press **(Ⓞ)** to turn on the terminal.
2. Point the terminal slightly above or below the bar code label, and press the scan button.
3. Pass the beam over the bar code label in a steady sweeping motion.  
The terminal emits an audible crackle indicating that it is within the correct range and at the appropriate angle to successfully scan the bar code.

Use the following sample PDF 417 bar code to test the scan module.

Sample PDF 417 Bar Code



Reg PAN 123 ABC Dec 1999



### Trakker Antares® 2420 and 2425 PDF 417 Scan Module



### 3 Scan PDF 417 Bar Codes

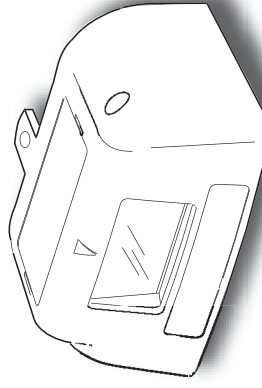
1. Press **(Ⓞ)** to turn on the terminal.
2. Point the terminal slightly above or below the bar code label, and press the scan button.
3. Pass the beam over the bar code label in a steady sweeping motion.  
The terminal emits an audible crackle indicating that it is within the correct range and at the appropriate angle to successfully scan the bar code.

Use the following sample PDF 417 bar code to test the scan module.

Sample PDF 417 Bar Code



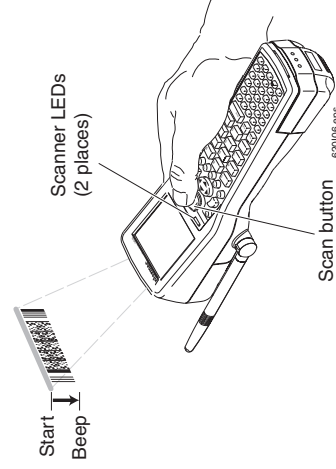
Reg PAN 123 ABC Dec 1999



### Trakker Antares® 2420 and 2425 PDF 417 Scan Module

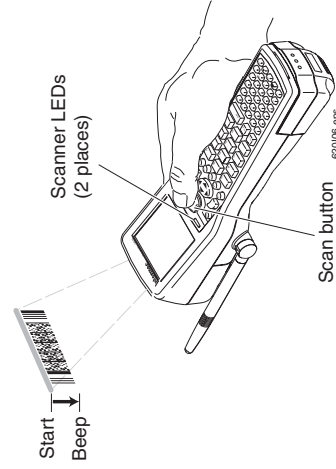


### Scanning PDF 417 Bar Codes



When you get a successful read, the Scanner LEDs are lit green for 2 seconds, the terminal beeps, and the laser beam turns off.

### Scanning PDF 417 Bar Codes



When you get a successful read, the Scanner LEDs are lit green for 2 seconds, the terminal beeps, and the laser beam turns off.

To use the PDF 417 scan module accessory, you must upgrade your terminal firmware to version 6.20 or later.

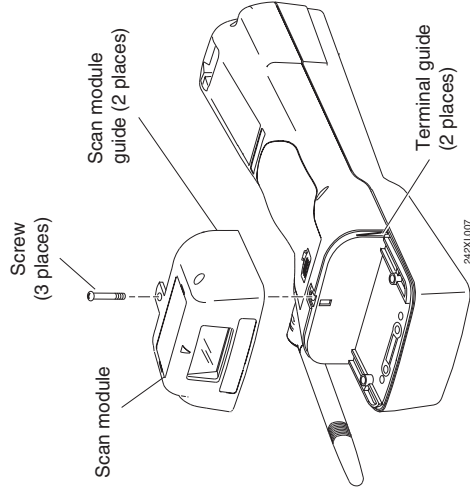
**Note:** Observe all static electricity precautions before installing the scan module.

## 1 Install the Scan Module

1. Make sure the 242X is off and lay it face down on a clean and sturdy work surface.
2. Remove the existing module from the terminal.
3. Align the scan module guides with the terminal guides and gently press the scan module onto the terminal.
4. Secure the scan module to the terminal.



**Note:** The scan module guide pins and connector should fit easily into the connector on the terminal. **DO NOT** force the module into the connector or you may damage the module connector, the terminal, or both.



To use the PDF 417 scan module accessory, you must upgrade your terminal firmware to version 6.20 or later.

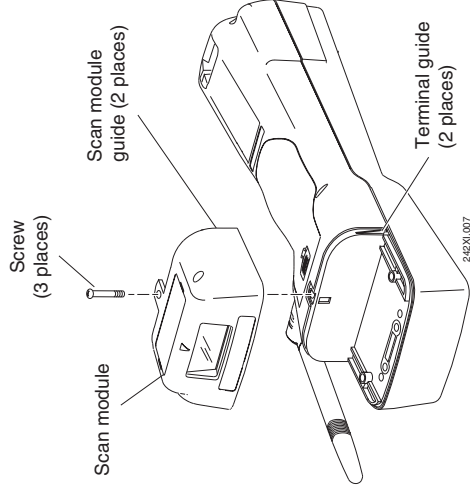
**Note:** Observe all static electricity precautions before installing the scan module.

## 1 Install the Scan Module

1. Make sure the 242X is off and lay it face down on a clean and sturdy work surface.
2. Remove the existing module from the terminal.
3. Align the scan module guides with the terminal guides and gently press the scan module onto the terminal.
4. Secure the scan module to the terminal.



**Note:** The scan module guide pins and connector should fit easily into the connector on the terminal. **DO NOT** force the module into the connector or you may damage the module connector, the terminal, or both.



## 2 Configure the Terminal

1. Press **(\*)** to turn on the terminal. The terminal may beep.
2. Access the TRAKKER Antares 2400 Menu System (Press **[F]** **[C]** **[2]** **[4]** **[8]**).
3. From the Main Menu, choose Configuration Menu, Terminal Menu, and then Scanner.
4. Make sure that the Scanner Selection command is set to Intermec 1551E.
5. Exit the TRAKKER Antares 2400 Menu System and save all changes. The terminal boots and the scanner is initialized.

6. Enable the PDF 417 symbology by scanning this bar code:

Enable PDF 417



\*\$+CQ1\*

7. Save the configuration in flash memory by scanning this bar code:

Save Configuration in Flash Memory



\*+1\*

To learn how to scan PDF 417 bar codes, continue with the next instructions.

## 2 Configure the Terminal

1. Press **(\*)** to turn on the terminal. The terminal may beep.
2. Access the TRAKKER Antares 2400 Menu System (Press **[F]** **[C]** **[2]** **[4]** **[8]**).
3. From the Main Menu, choose Configuration Menu, Terminal Menu, and then Scanner.
4. Make sure that the Scanner Selection command is set to Intermec 1551E.
5. Exit the TRAKKER Antares 2400 Menu System and save all changes. The terminal boots and the scanner is initialized.

6. Enable the PDF 417 symbology by scanning this bar code:

Enable PDF 417



\*\$+CQ1\*

7. Save the configuration in flash memory by scanning this bar code:

Save Configuration in Flash Memory



\*+1\*

To learn how to scan PDF 417 bar codes, continue with the next instructions.