

Quick Start Guide

P/N 067055-003

1470/1471 Imager

 **ntermec**

A **UNOVA** Company

Intermec Technologies Corporation
6001 36th Avenue West
P.O. Box 4280
Everett, WA 98203-9280

U.S. service and technical support: 1-800-755-5505
U.S. media supplies ordering information: 1-800-227-9947

Canadian service and technical support: 1-800-668-7043
Canadian media supplies ordering information: 1-800-268-6936

Outside U.S. and Canada: Contact your local Intermec service supplier.

The information contained herein is proprietary and is provided solely for the purpose of allowing customers to operate and/or service Intermec manufactured equipment and is not to be released, reproduced, or used for any other purpose without written permission of Intermec.

Information and specifications in this manual are subject to change without notice.

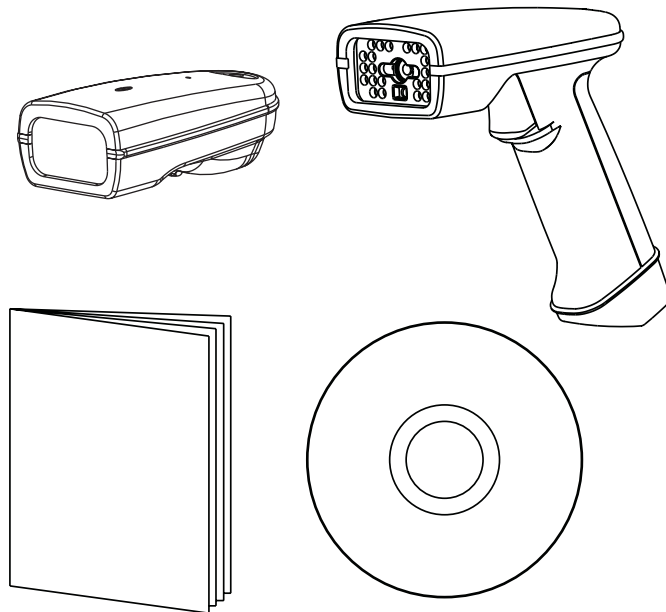
© 2001 by Intermec Technologies Corporation
All Rights Reserved

The word Intermec, the Intermec logo, JANUS, IRL, TRAKKER, Antares, Adara, Duratherm, EZBuilder, Precision Print, PrintSet, Virtual Wedge, and CrossBar are either trademarks or registered trademarks of Intermec.

Throughout this manual, trademarked names may be used. Rather than put a trademark (™ or ®) symbol in every occurrence of a trademarked name, we state that we are using the names only in an editorial fashion, and to the benefit of the trademark owner, with no intention of infringement.

Unpacking the Imager
Déballage de l'imageur
Auspacken des Imager
Disimballaggio dell'Imager
Desembalaje del Lector de imágenes
Desembalando o Gerador de Imagens

图像仪开箱



1470/71G.001

Accessories

Accessoires

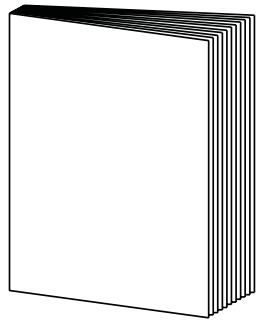
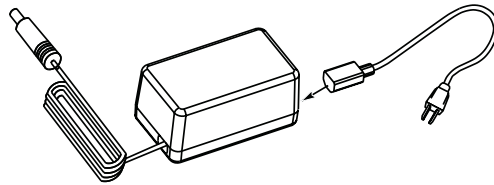
Zubehör

Accessori

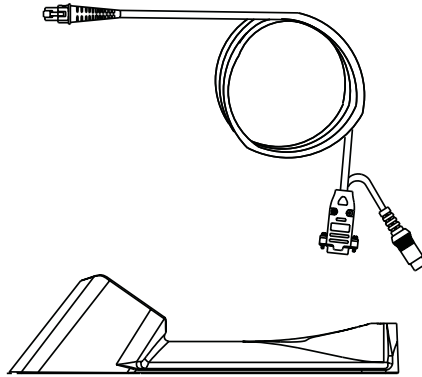
Accesorios

Acessórios

附件

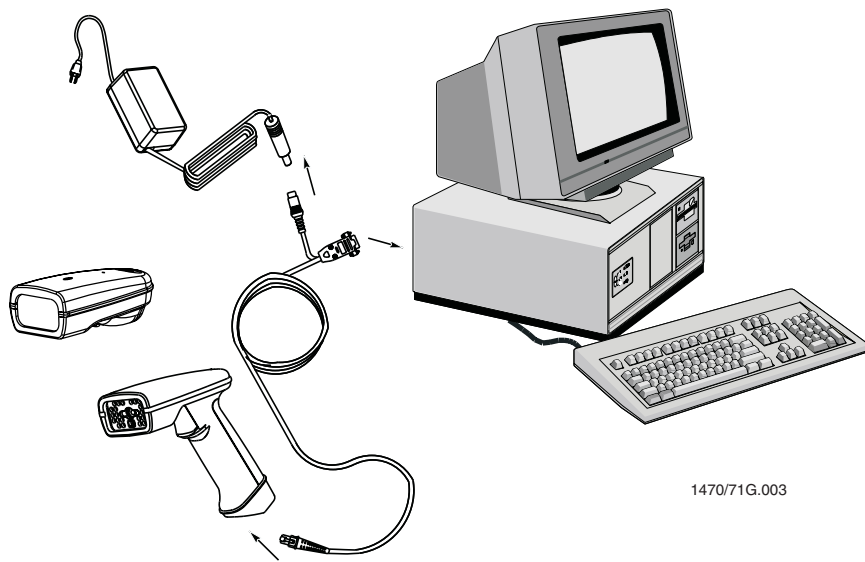


1470/71G.002



Connecting the Imager
Connexion de l'imageur
Verbinden des Imager
Collegamento dell'Imager
Conexión del Lector de imágenes
Conectando o Gerador de Imagens

图像仪的连接



1470/71G.003

Scanning a Label

Scanning d'une étiquette

Scannen einer Etikette

Scansione di un'etichetta

Lectura de etiquetas

Digitalizando uma Etiqueta

扫描标签



Factory Default Settings
Réglages par défaut de l'usine
Standardeinstellungen ab Werk
Impostazione predefinita
Configuración de fábrica
Parâmetros padrão de fábrica
工厂默认设定



RS-232: 38400, N, 8, 1

Show Software Revision
Afficher la révision du logiciel
Standardeinstellungen ab Werk
Mostra revisione software
Mostrar revisión del software
Exibir Versão do Software
显示软件修订情况



Show Data Formats
Afficher les formats de données
Anzeigen von Datenformaten
Mostra formati dati
Mostrar formatos de datos
Exibir Formatos de Dados
显示数据格式



Regulatory Statements for Users in Canada and the United States

Industry Canada Compliance

This digital apparatus does not exceed the Class B limits for radio emissions from digital apparatus as set out in the radio interference regulations of Industry Canada.

Cet appareil numérique n'émet pas de bruits radioélectriques dépassant les limites applicables aux appareils numériques de Classe B prescrites dans le règlement sur le brouillage radioélectrique édicté par Industrie Canada.

Federal Communications Commission Compliance

This device complies with Part 15 of the FCC Rules. Operation is subject to the following two conditions: (1) this device may not cause harmful interference, and (2) this device must accept any interference received, including interference that can cause undesired operation.

This equipment is intended for operation in a commercial environment, in compliance with the requirements for a Class A digital device, pursuant to Part 15 of the FCC Rules, and it must not be used in a residential environment; however, it has also been tested and found to comply with the more stringent requirements for a Class B device, pursuant to Part 15 of the FCC Rules. It generates, uses, and can radiate radio frequency energy. If not installed and used in accordance with the instruction manual, it may cause interference to radio communications. If this equipment causes interference, the user will be required to correct the interference at the user's own expense.



Note: In order to maintain compliance with FCC Rules, the I/O cables that interconnect between the device and any peripheral must be as specified by Intermec.



Caution
Changes or modifications not expressly approved by Intermec could void the user's authority to operate this equipment.

Electrical Ratings

⎓ 5 – 14 V, 750 mA

Regulatory Statements For Users Outside of Canada and the United States

European Union Compliance



This product complies with EN 55022, EN 50082-1, and EN 60950 as required by the EMC Directive 89/336/EEC as amended by 92/31/EEC and by the Low Voltage Directive 73/23/EEC as amended by 93/68/EEC.

Safety Agency Approval

This product is UL and cUL Listed (UL 1950/C22.2 #950) and TÜV GS licensed (EN 60950) for safety when powered by a host system or by an external Intermec power supply. UL and TÜV have approved the following power supply for use with the device:

Catalog Number - 065236 - ~100 - 240V, 50/60 Hz

If this product is powered by a host system the output to the device must be limited to $\overline{\sim}$ 5 – 14 V, 750 mA.

Additional EMI/RFI Compliance

This product meets the Class B limit requirements of CISPR 22. This device complies with AS/NZS 3548 and other applicable rules under the Australian EMC framework.

Déclarations réglementaires Pour les utilisateurs en dehors du Canada et des Etats-Unis

Déclaration de conformité européenne



Ce produit est conforme aux normes EN 55022, EN 50082-1 et EN 60950, tel qu'exigé par la directive de l'EMC n° 89/336/CEE amendée par l'article 92/31/CEE et par la directive sur la basse tension n° 73/23/CEE amendée par l'article 93/68/CEE.

Approbations d'agences pour la sécurité

Ce produit est inclus dans la liste UL et cUL (UL 1950/C22.2 n° 950) et est sous licence TÜV GS (EN 60950) pour la sécurité lorsqu'il est alimenté par un système hôte ou par une source d'alimentation Intermec externe. UL et TÜV ont approuvé l'utilisation de la source d'alimentation suivante pour l'appareil :

Numéro de référence - 065236 - Entrée de $\sim 100 - 240\text{V}$, 50/60 Hz

Si le 147X est alimenté par un système hôte, la sortie vers le 147X doit être limitée à $\approx 5 - 14\text{ V}$ à 750 mA.

Conformité additionnelle à la norme EMI/RFI

Cet appareil respecte les limites imposées pour la Classe B par le CISPR 22.

Gebrauchsanweisungen Für Benutzer außerhalb von Kanada oder den Vereinigten Staaten

Europäische Übereinstimmungserklärung



Dieses Produkt entspricht EN 55022, EN 50082-1, und EN 60950 in Übereinstimmung mit der EMC-Richtlinie 89/336/EWG, abgeändert durch 92/31/EWG, und der Richtlinie für Niederspannung 73/23/EWG, abgeändert durch 93/68/EWG.

Sicherheitszulassungen durch Prüfstellen

Dieses Produkt ist in die UL- und in die cUL-Liste aufgenommen (UL 1950/C22.2 Nr. 950) und vom TÜV GS (EN 60950) gemäß den Sicherheitsnormen lizenziert, wenn es von einem Hostsystem oder von einem externen Intermec-Netzanschluß betrieben wird. UL und TÜV haben den folgenden Netzanschluß zum Gebrauch mit dem Gerät zugelassen:

Katalognummer - 065236 - $\sim 100 - 240\text{V}$, 50/60 Hz

Wenn der produkt ist von einem anderen Produkt betrieben, der Betriebsstrom muß begrenzt sein zu $\approx 5 - 14\text{ V}$ am 750 mA.

Zusätzliche Elektromagnetische Störung-Übereinstimmung

Dieses Gerät entspricht den Grenzbestimmungen der Klasse B von CISPR 22.

Note regolatorie Per gli utenti al di fuori del Canada o degli Stati Uniti

Dichiarazione europea di conformità



Questo prodotto è conforme a EN 55022, EN 50082-1, e EN 60950 come richiesto dalla Direttiva del MCE 89/336/CEE come rettificato da 92/31/CEE e dalla Direttiva sul basso voltaggio 73/23/CEE come rettificato da 93/68/CEE.

Approvazioni relative alla sicurezza

Questo prodotto è conforme agli standard di sicurezza UL (UL 1950/C22.2 n.950) e TÜV GS (EN 60950) se alimentato da un sistema host o da un alimentatore Intermec esterno. UL e TÜV hanno approvato per questo dispositivo il seguente alimentatore.

Numero di catalogo - 065236 - tensione in ingresso: ~100 - 240V, 50/60 Hz

Se il prodotto alimentato da un sistema host, la tensione in uscita diretta al prodotto non può superare i $\approx 5 - 14$ V a 750 mA.

Ulteriore conformità con EMI/RFI

Questo dispositivo è conforme ai limiti stabiliti in CISPR 22 per la Classe B.

Normas reglamentarias Para usuarios fuera de Canadá o Estados Unidos

Declaración de conformidad europea



Este producto cumple con las normas EN 55022, EN 50082-1 y EN 60950, de acuerdo a lo establecido por la directiva de EMC 89/336/CEE corregida por 92/31/CEE y por la directiva referente al bajo voltaje 73/CEE corregida por 93/68/CEE.

Aprobación de organismos de seguridad

Este producto está registrado por UL y cUL (UL 1950/C22.2 #950) y está licenciado por TÜV GS (EN 60950) por razones de seguridad cuando está siendo alimentado por un sistema “host” o por una fuente de alimentación externa de Intermec. UL y TÜV han aprobado las siguientes fuentes de alimentación para ser usadas con este dispositivo:

Número de catálogo - 065236 - Entrada ~100 - 240V, 50/60 Hz

Si el producto está siendo alimentado por el sistema donde está instalado, su alimentación debe limitarse a un máximo de $\pm 5 - 14$ V a 750 mA.

Conformidad adicional con EMI/RFI

Este dispositivo cumple con los límites requeridos para la Clase B de CISPR 22.

Declarações de Regulamentação para Usuários fora do Canadá ou dos Estados Unidos

Conformidade com a União Européia



Este produto obedece o EN 55022, EN 50082-1, e EN 60950 como exigido pela Diretiva EMC 89/336/EEC como retificada pela 92/31/EEC e pela Diretiva de Baixa Voltagem 73/23/EEC como retificada pela 93/68/EEC.

Aprovações de Agência de Segurança

Este dispositivo é listado no UL e cUL (UL 1950/C22.2#950) e licenciado pelo TUV GS (EN 60950) para segurança quando alimentado por um sistema host ou uma fonte de alimentação Intermec externa. UL e TÜV aprovaram a seguinte fonte de alimentação para uso com este dispositivo.

Número de Catálogo - 065236 - ~100 - 240V, 50/60 Hz

Se este produto é alimentado por um sistema host, a saída para o dispositivo deve estar limitado a $\pm 5 - 14$ V, 750 mA.

Conformidades EMI/RFI Adicionais

Este produto atende aos requisitos de limite Classe B do CISPR 22.

加拿大和美国以外国家法规声明

安全机构批准情况

本产品当由一主机系统或由Intermec外部电源供电时,符合UL和cUL(UL 1950/C22.2 #950)安全规定并获得TÜV GS安全许可证(EN 60950)。UL和TÜV已经批准了下述电源可与本装置使用:

目录号 - 065236- ~100-240V, 50/60Hz

如果本产品由主机系统供电,提供给本装置的输出电源必须限制为
=5 - 14V, 750mA。

其它EMI/RFI法规符合情况

本装置符合CISPR 22的B类限制要求。

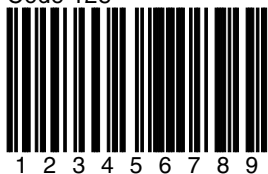
UPC-A



I 2 of 5



Code 128



EAN 13



Code 39



CodaBar



PDF417



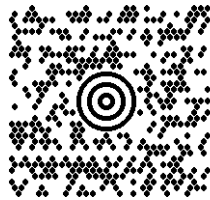
Car Registration

Aztec



Package Label

Maxicode



Package Label

Data Matrix



Test Symbol

QR Code



Numbers

Scan Stand On



Scan Stand Off



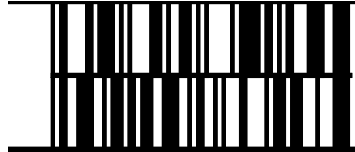
Presentation Mode On



Presentation Mode Off



Code 49



1234567890

MicroPDF417



Test Message

Code 93

